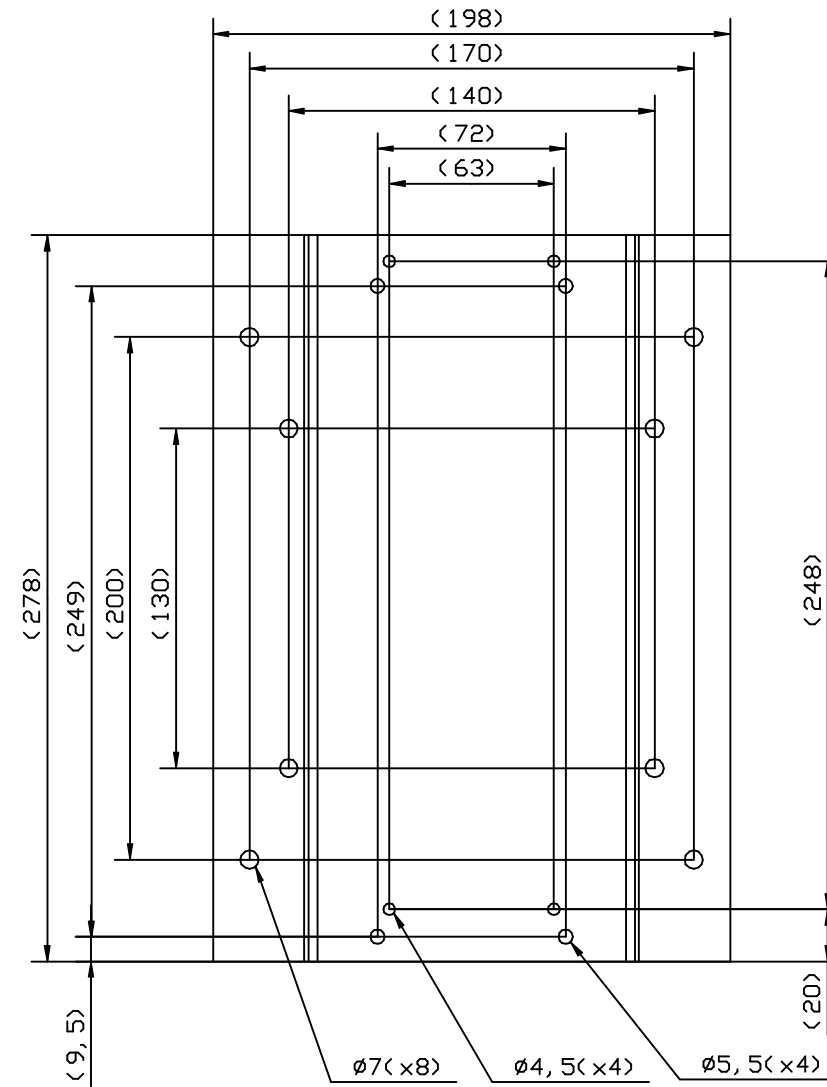
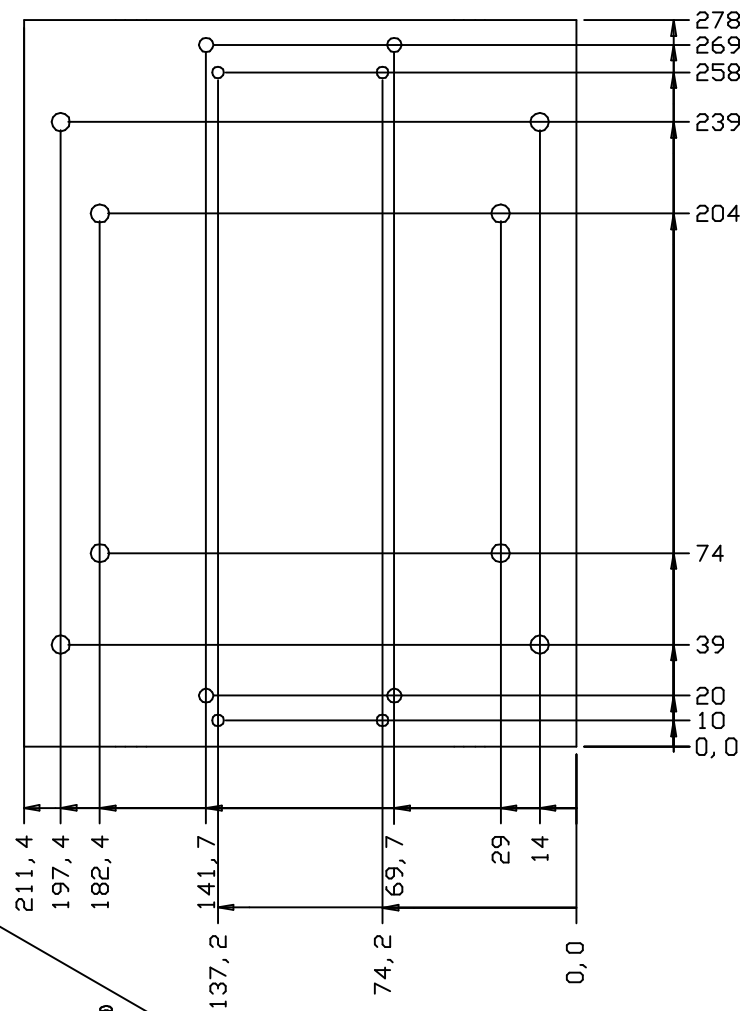


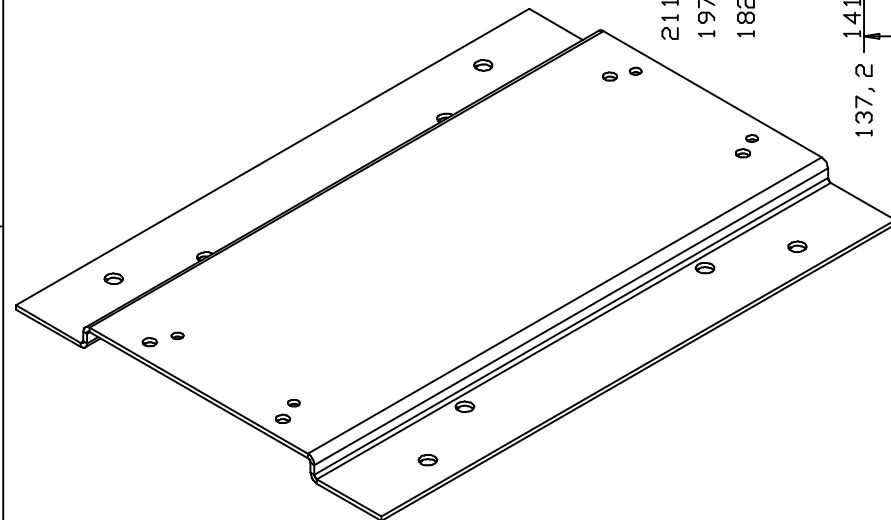
Utbredd



General tolerances ISO 2768-m  
Generella toleranser ISO 2768-m

Inside bending radius 1,5  
Invändig bockningsradie 1,5

278x211,4



	1SFB 8-844	2 1151-90	T=2	Sheet of steel Plåt av stål		
Quantity	Item No.	Article No.	Material, type, etc	Dimensions	Name of item	Note
Prepared	M Ytterberg	Responsible department	SECR/LUK	Title		Adapter EH370, 550, EG315-AF400, 460, 580
Approved	K Herold	010307	Take over department	Adapterplåt		Lang 82
Revision	1	Scale	1:2	Document No.		Cont. -
				2161 566-18		Sheet 1

1	Typbet. var PR580-1.	MY	01	14
Rev ind	Revision	Appd	Year	Week

**ABB** ABB Control

ISSUED

We reserve all rights in this document and in the information contained therein. Reproduction, use or disclosure to third parties without express authority is strictly forbidden. © ABB Control