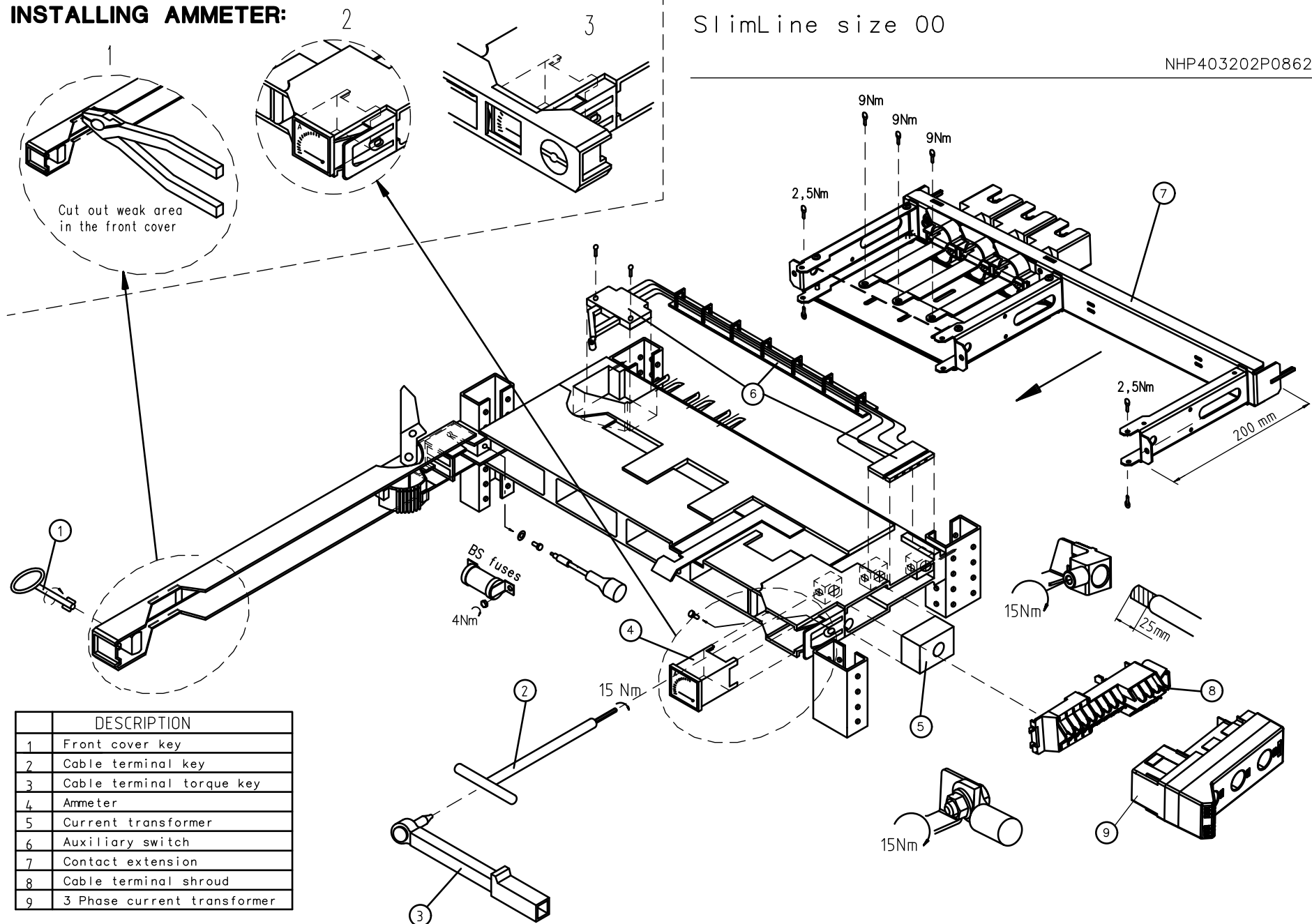


Montasjeveiledning
 Installation Instruction
 Montage-und Betriebsanleitung

SlimLine size 00

NHP403202P0862 Rev.D

INSTALLING AMMETER:



	DESCRIPTION
1	Front cover key
2	Cable terminal key
3	Cable terminal torque key
4	Ammeter
5	Current transformer
6	Auxiliary switch
7	Contact extension
8	Cable terminal shroud
9	3 Phase current transformer