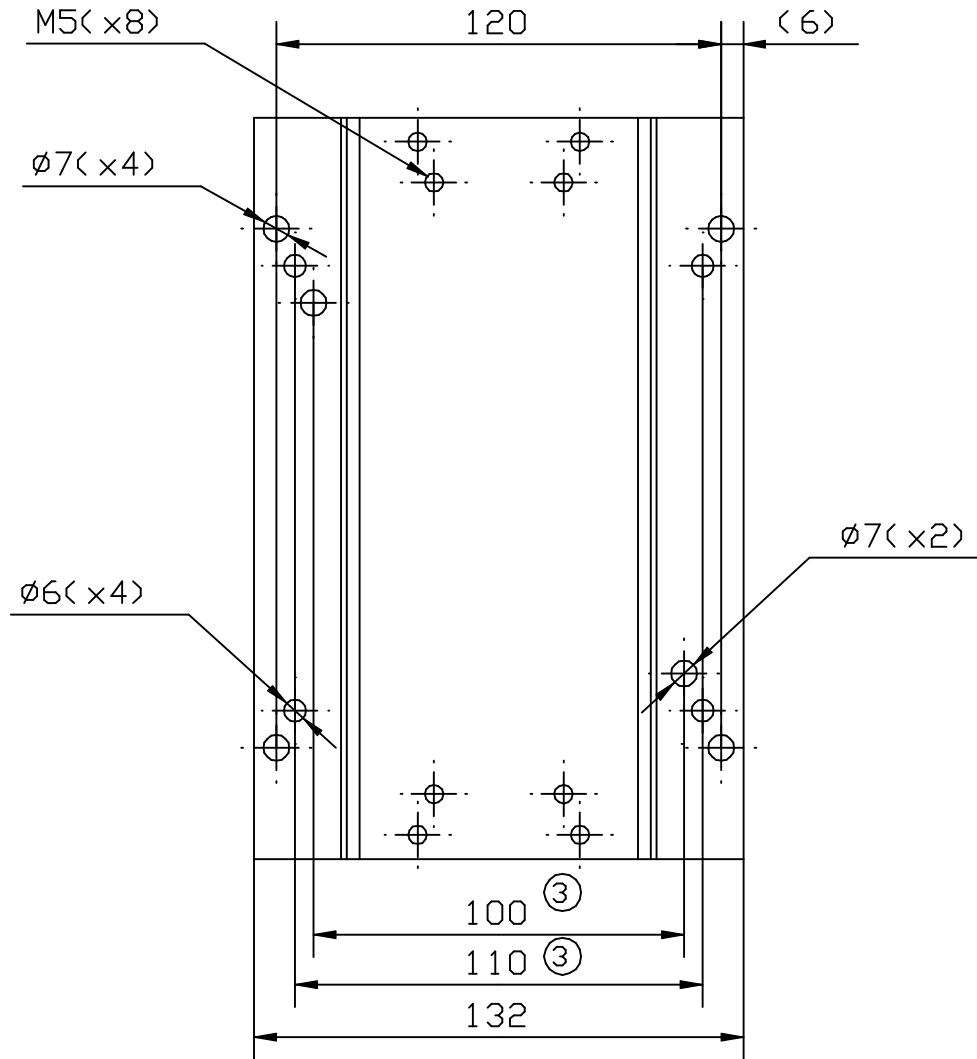
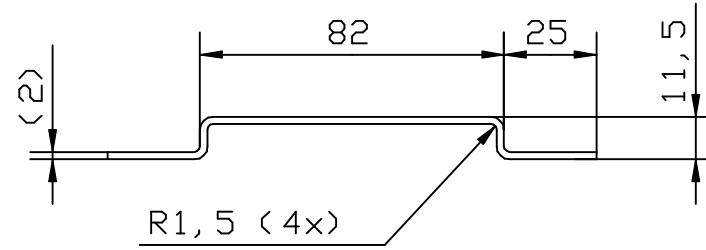
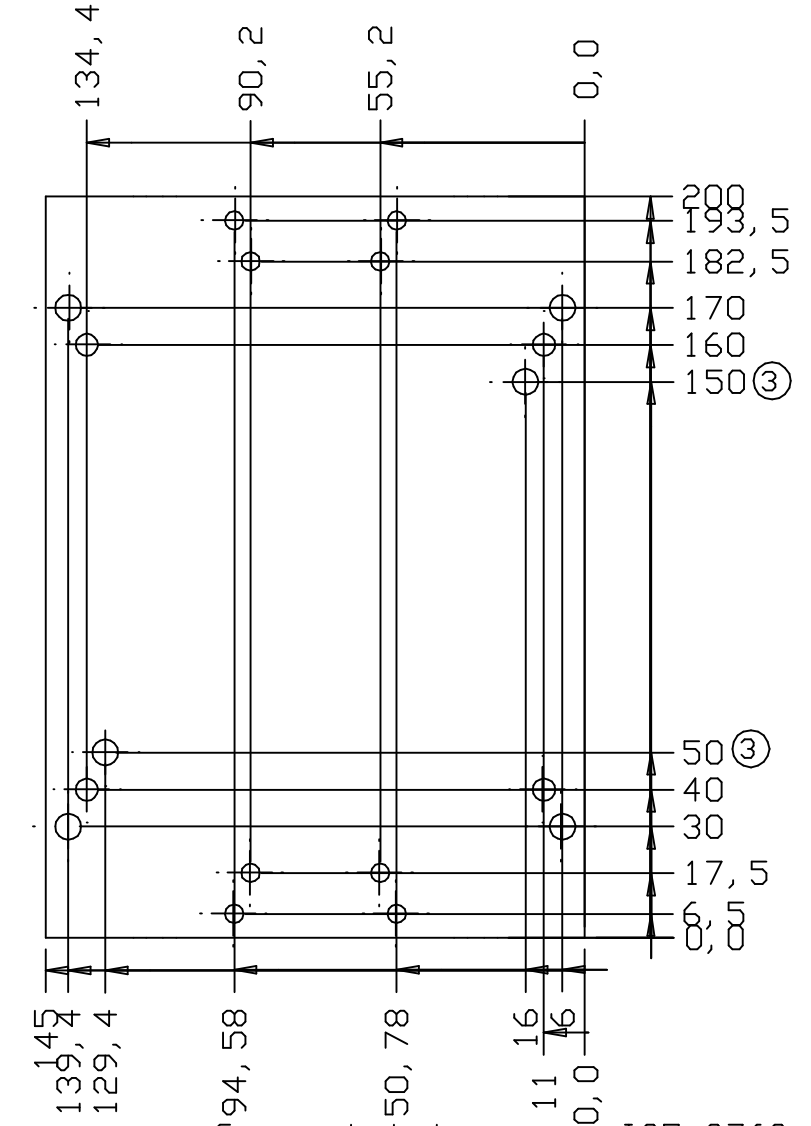


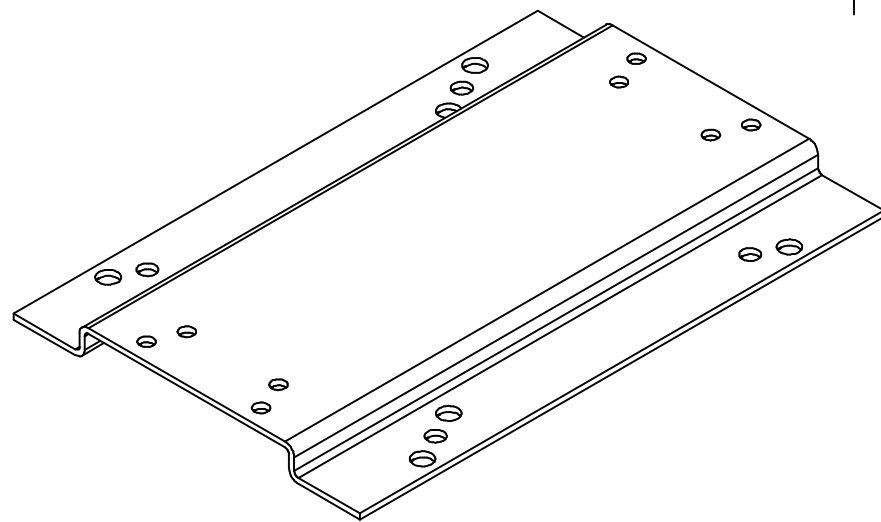
PR 210-1



Utbredd



General tolerances ISO 2768-m
Generella toleranser ISO 2768-m



145x200;

		1SFB 8-844	2 1151-90	T=2;	Sheet of steel Plåt av stål									
Quantity	Item No.	Article No.	Material, type, etc	Dimensions	Name of item									
Prepared H Widen			Responsible department SECRL/K2000	Title Adapter EG160, EH150 to A(F)210	Lang 82									
Approved Herold			Take over department	Adapter Plåt	Cont. -									
Revision 3			Scale 1:2	Document No. 2161 566-2	Sheet 1									
<table border="1"> <tr> <td>3</td> <td>EG inf. Ritn. omritad</td> <td>MY</td> <td>00</td> <td>42</td> </tr> <tr> <td>Rev ind</td> <td>Revision</td> <td>Appd</td> <td>Year</td> <td>Week</td> </tr> </table>			3	EG inf. Ritn. omritad	MY	00	42	Rev ind	Revision	Appd	Year	Week	ABB Control ISSUED	
3	EG inf. Ritn. omritad	MY	00	42										
Rev ind	Revision	Appd	Year	Week										

We reserve all rights in this document and in the information contained therein. Reproduction, use or disclosure to third parties without express authority is strictly forbidden. © ABB Control