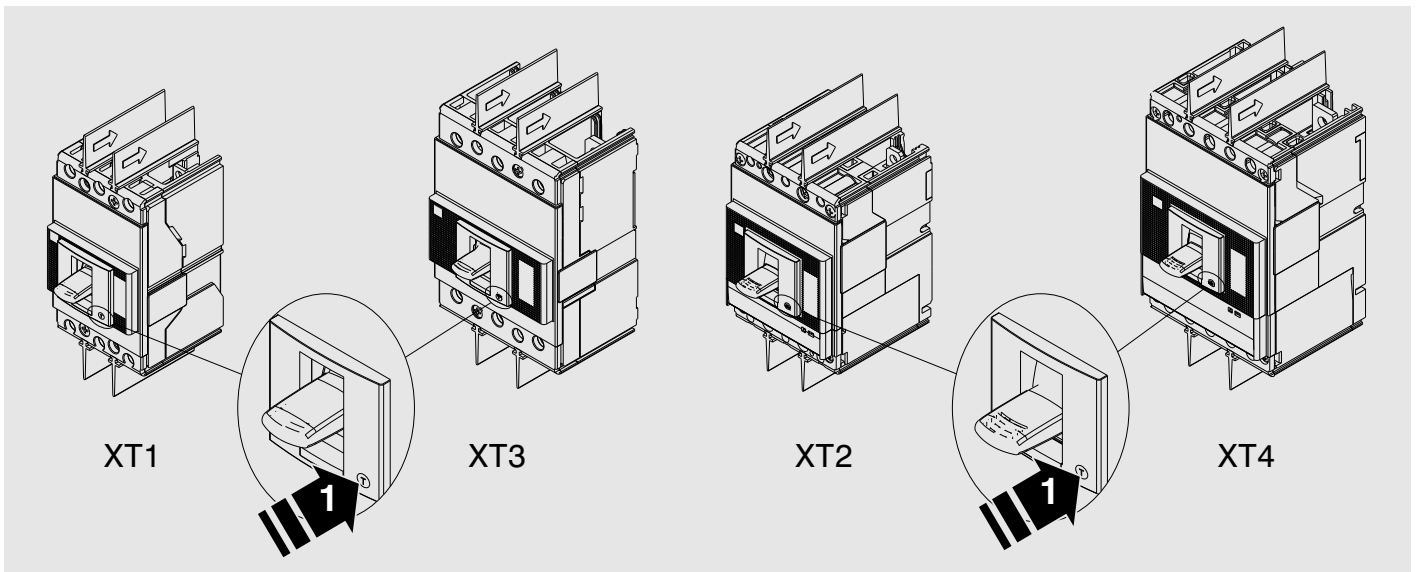


# SACE Tmax XT

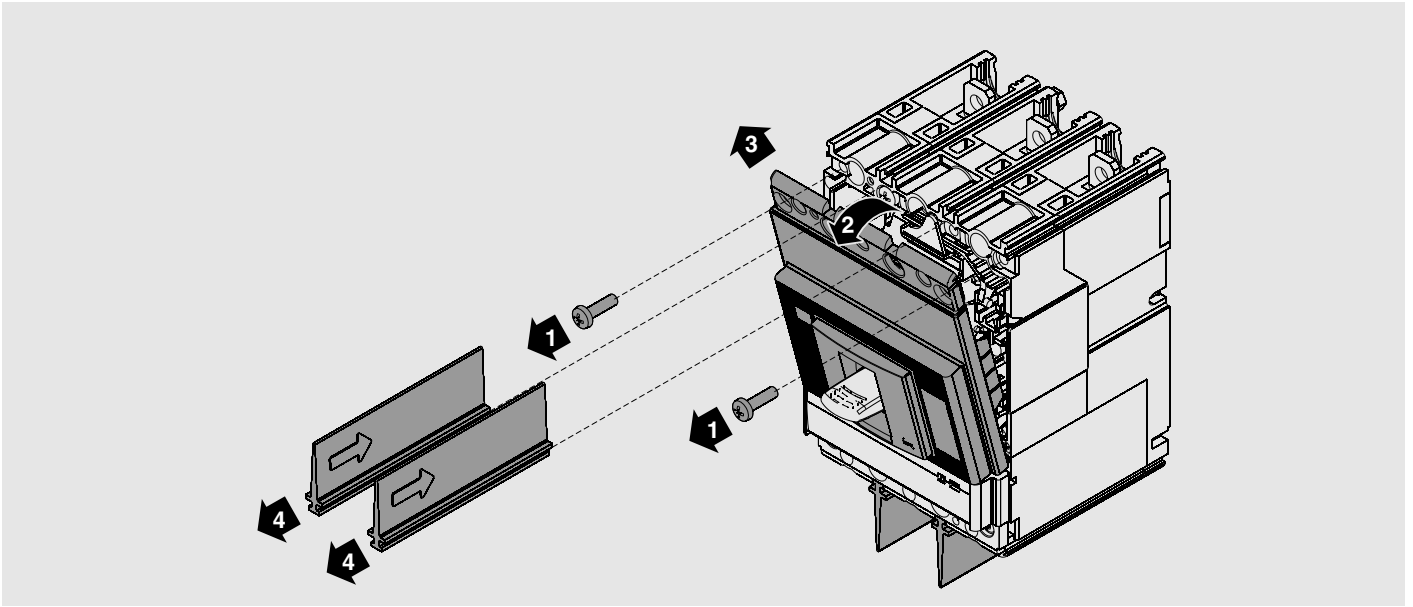
RHE - Comando a maniglia rotante OEMS  
 RHE - Rotary handle operating mechanism OEMS door mounted  
 RHE - Drehhebelantrieb OEMS Übertragen  
 RHE - Commande par poignée rotative OEMS renvoyée  
 RHE - Mando giratorio reenviado OEMS

XT1-XT2-XT3-XT4/III-IV

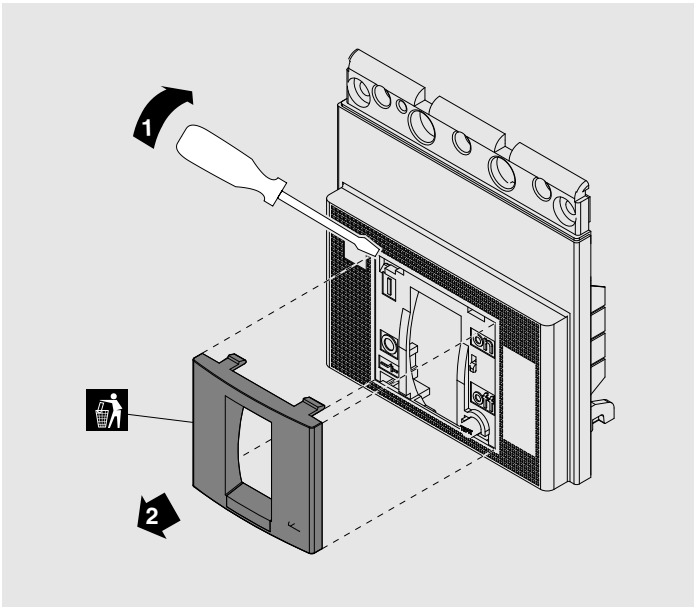


F-P	1	1	4	2	2
W	1	1	4	2	2
F-P	1	1	1	0	0
W	1	1	0	1	1

A

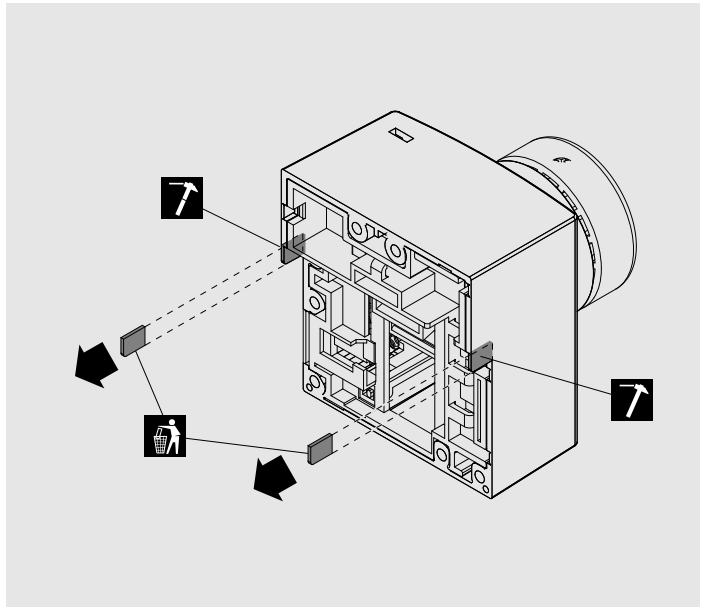


B



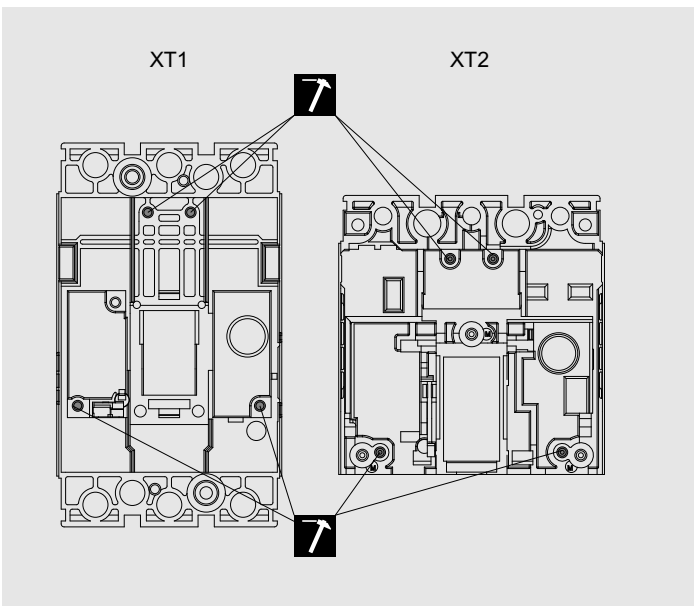
C

ONLY FOR XT2 - XT4



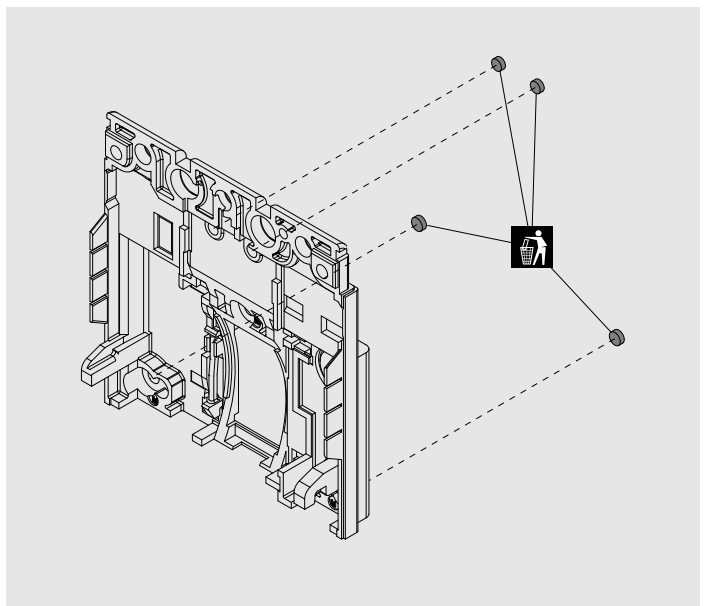
D

XT1-XT2



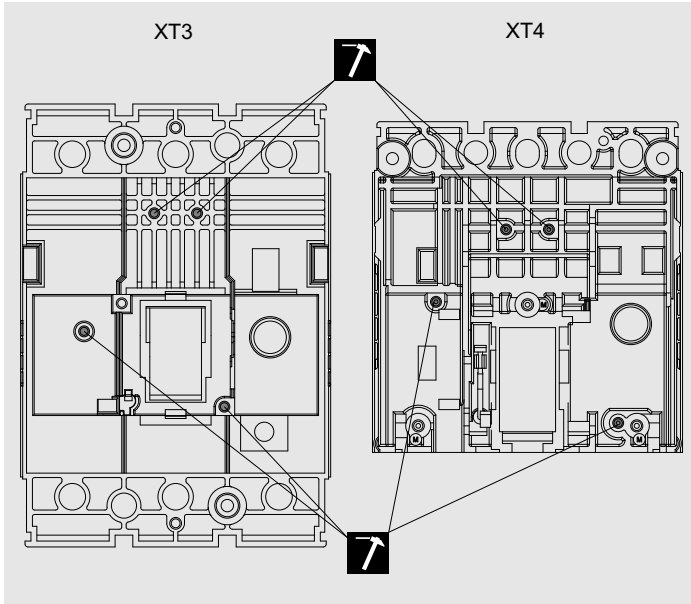
E

XT1-XT2

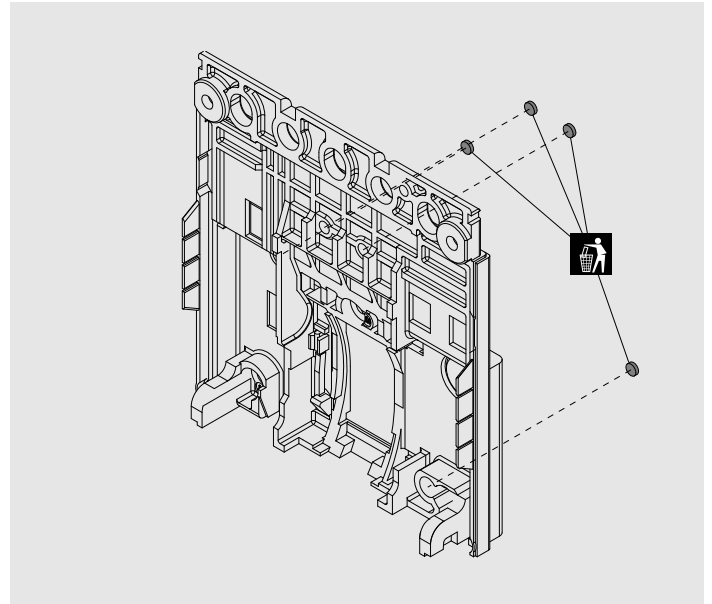


**F**

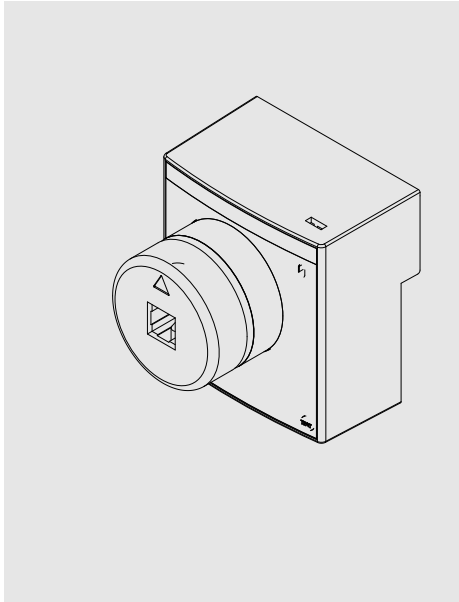
XT3-XT4

**G**

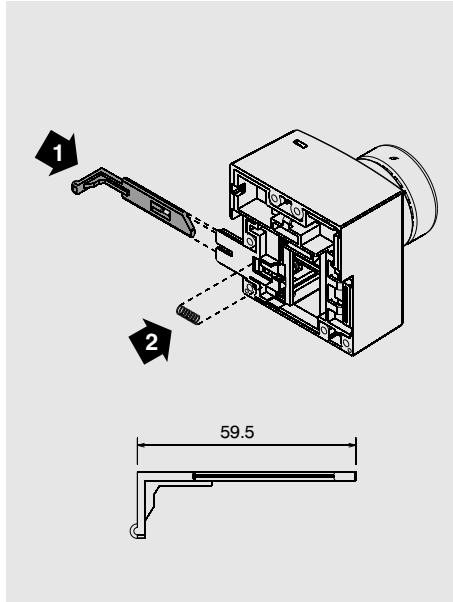
XT3-XT4

**H**

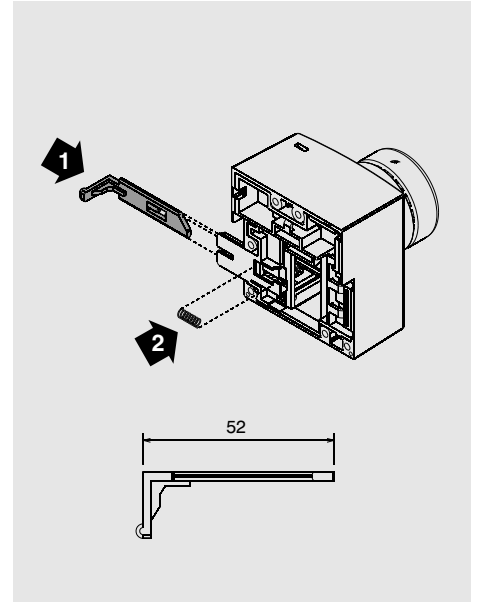
XT1-XT2-XT3-XT4/F-P

**I**

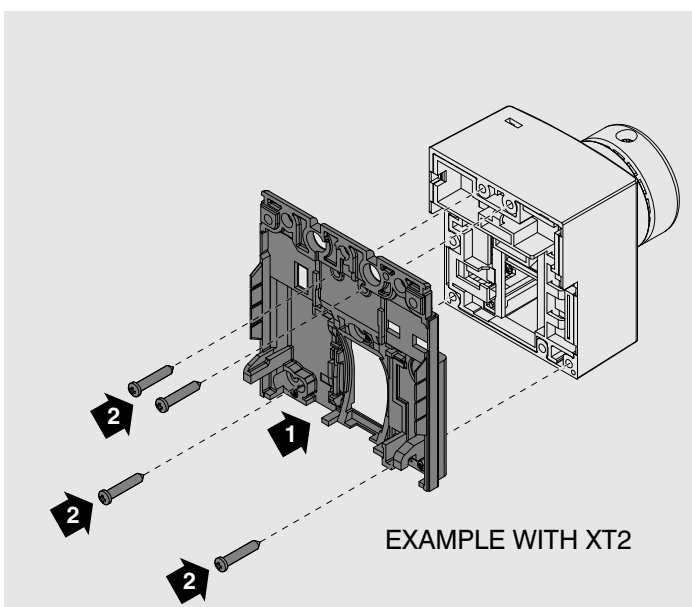
XT4 W ONLY

**J**

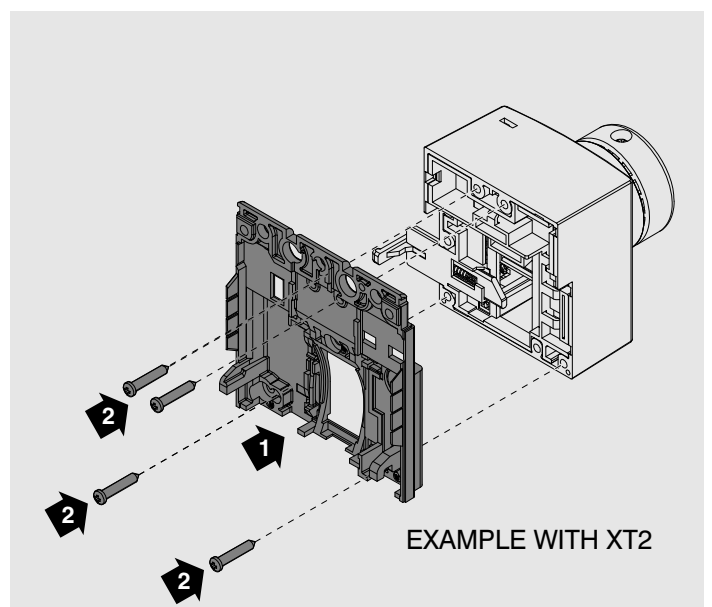
XT2 W ONLY

**K**

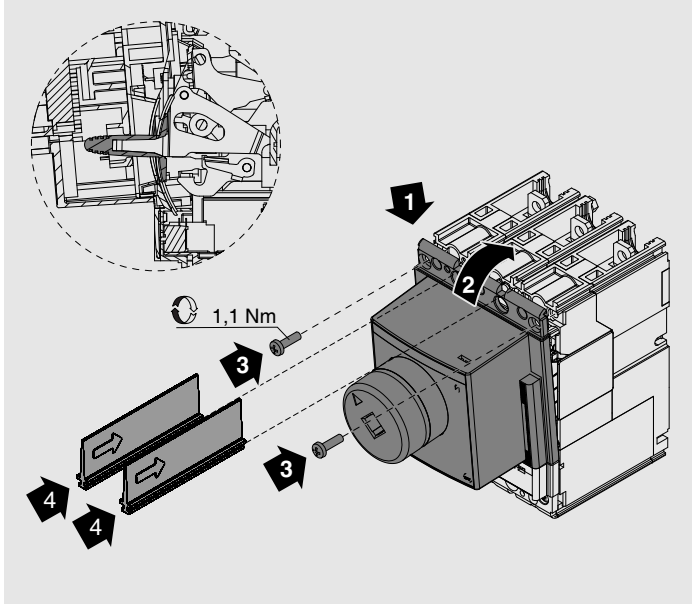
XT1-XT2-XT3-XT3/F-P

**L**

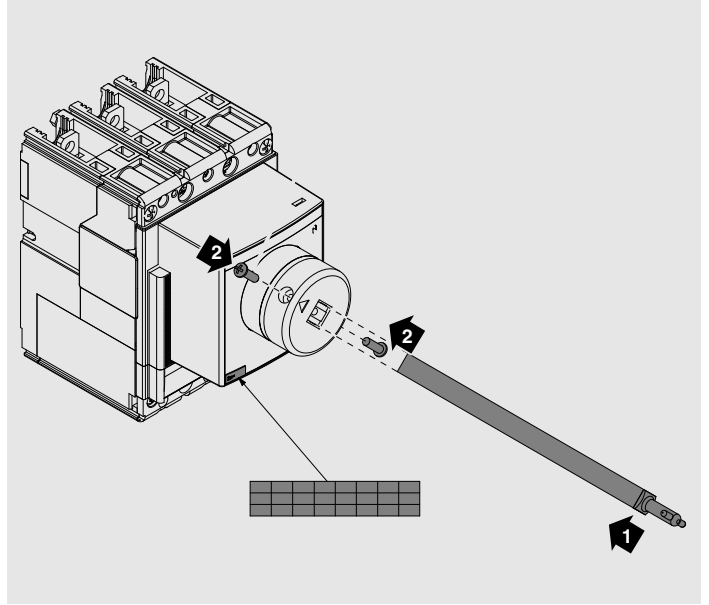
W



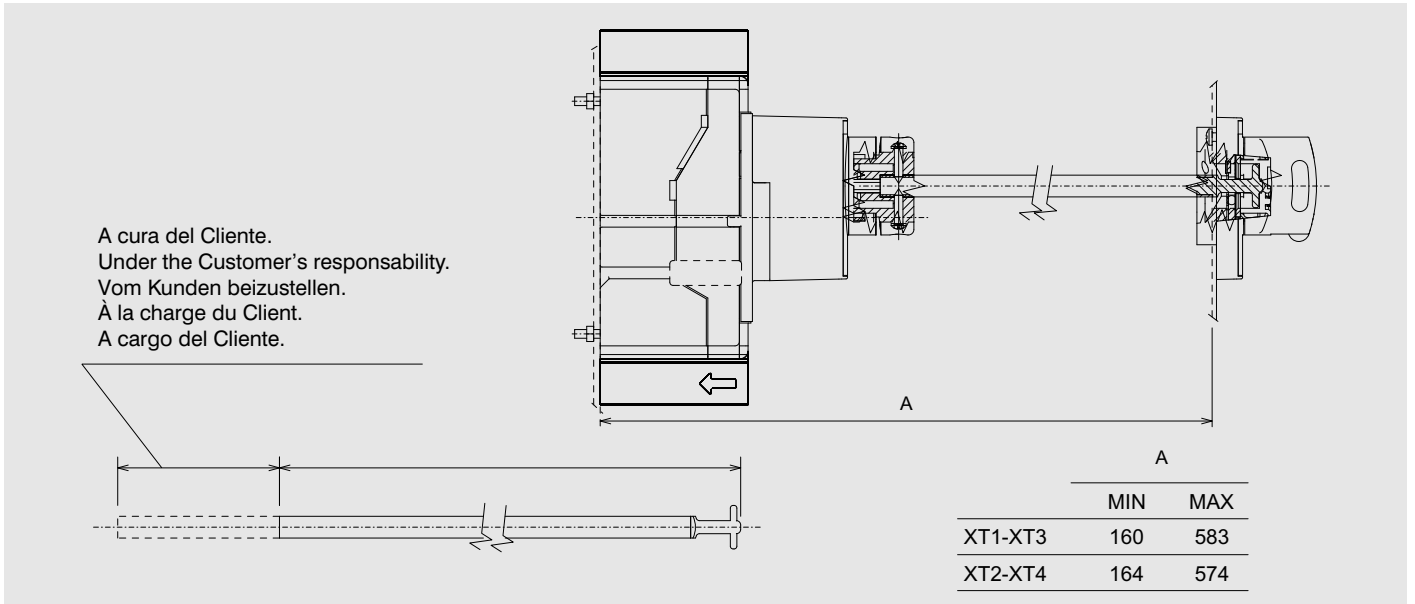
M



N

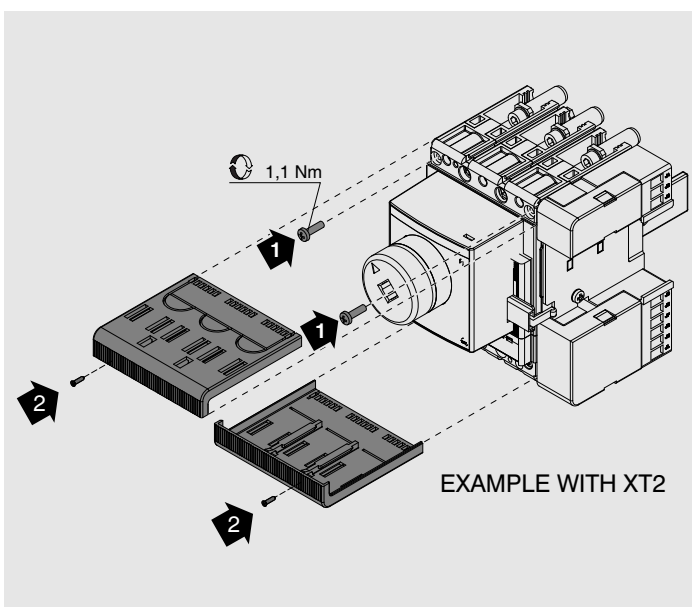


O



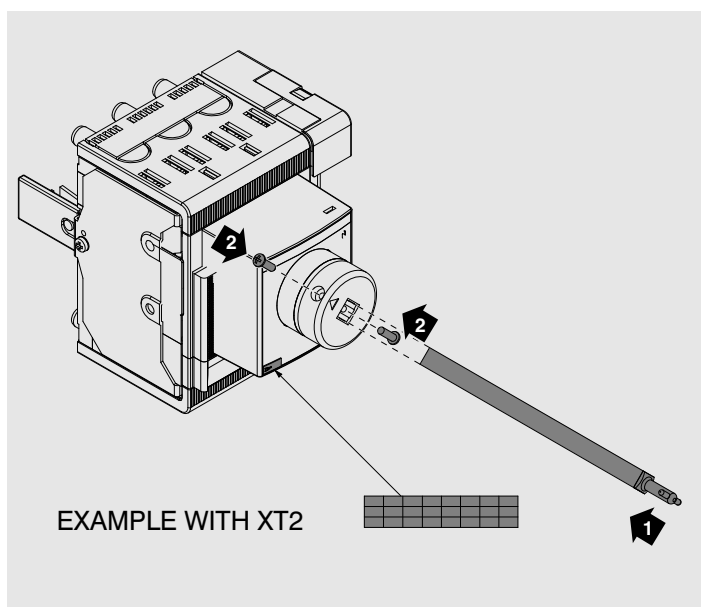
P

XT1-XT2XT3-XT4/W



Q

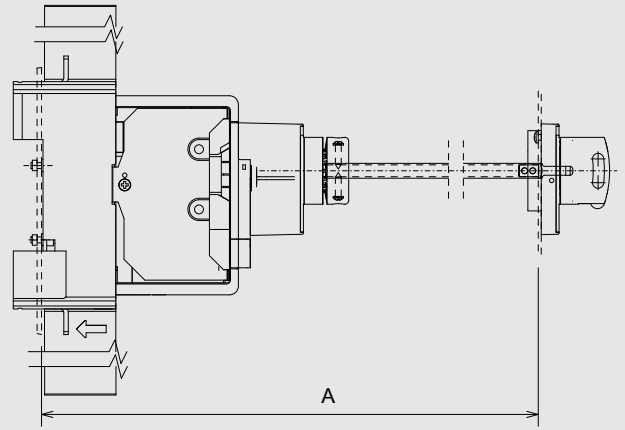
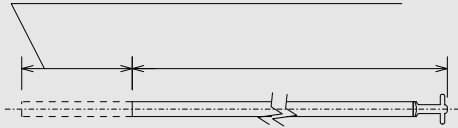
XT1-XT2XT3-XT4/W



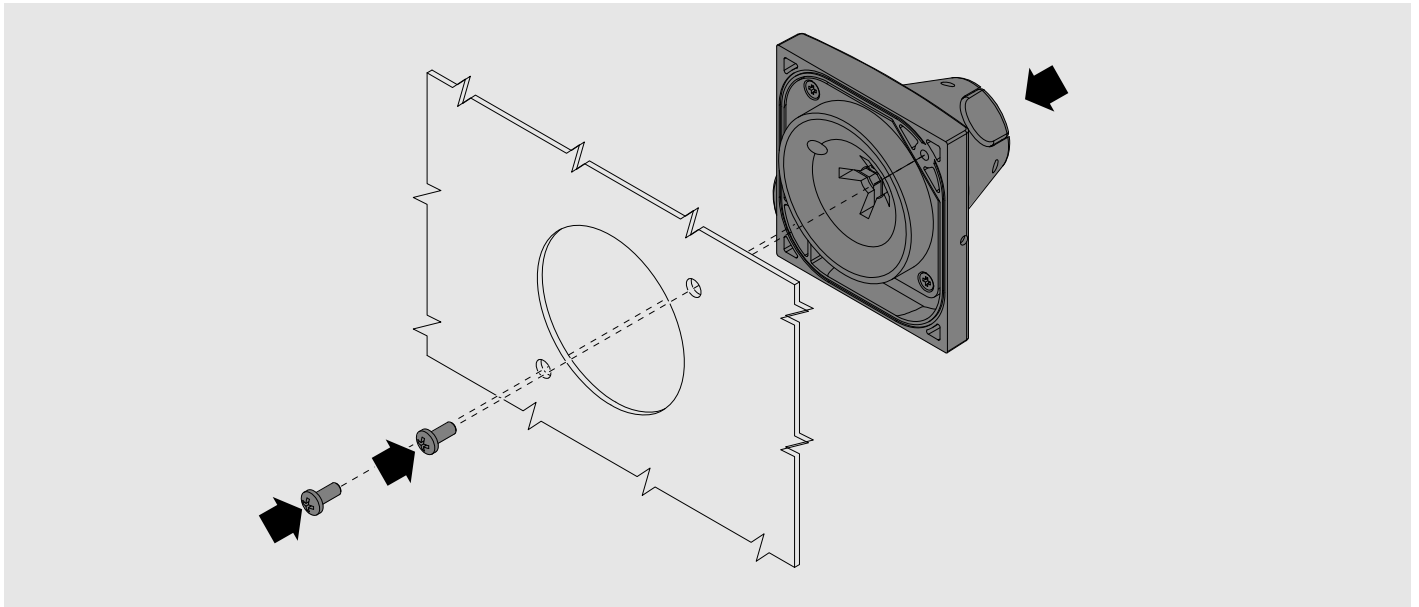
R

	MOUNTING	A	
		MIN	MAX
XT1-XT3	AT 50mm	210	633
P - W	AT 70mm	230	653
XT2-XT4	AT 50mm	221	631
P - W	AT 70mm	241	651

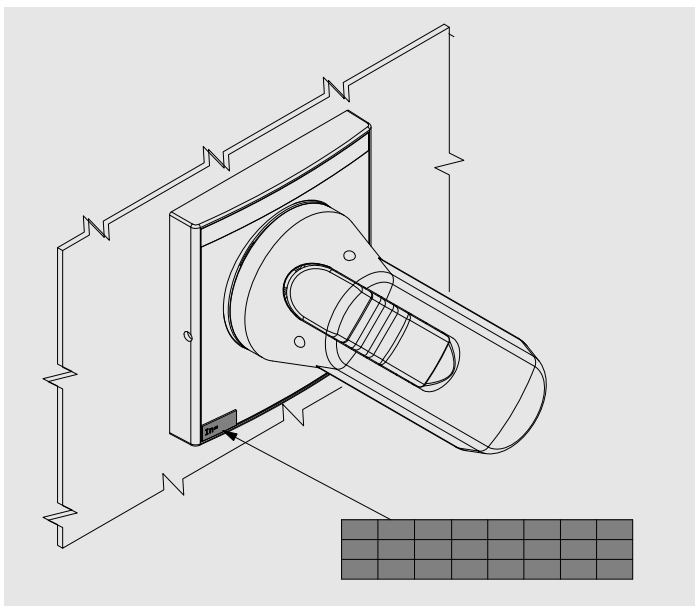
A cura del Cliente.  
 Under the Customer's responsibility.  
 Vom Kunden beizustellen.  
 À la charge du Client.  
 A cargo del Cliente.



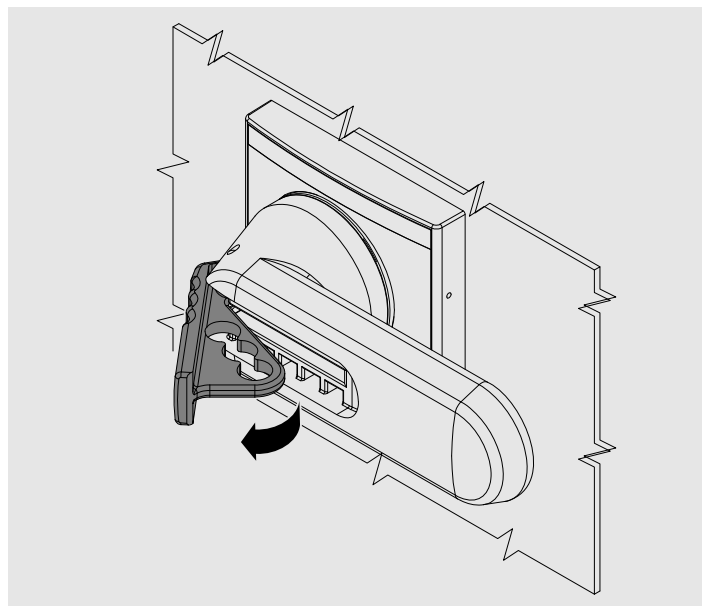
S



T

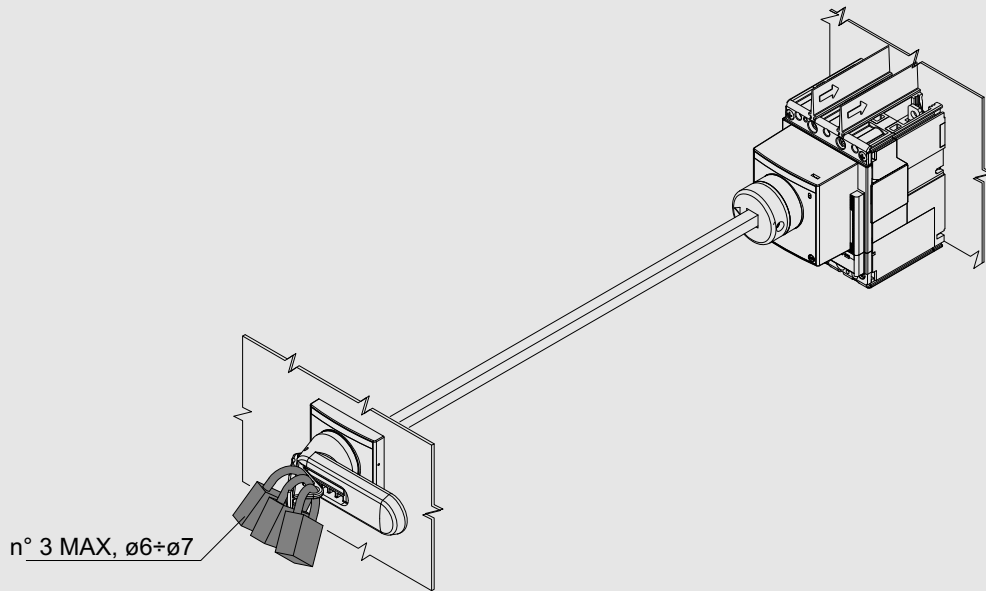


U



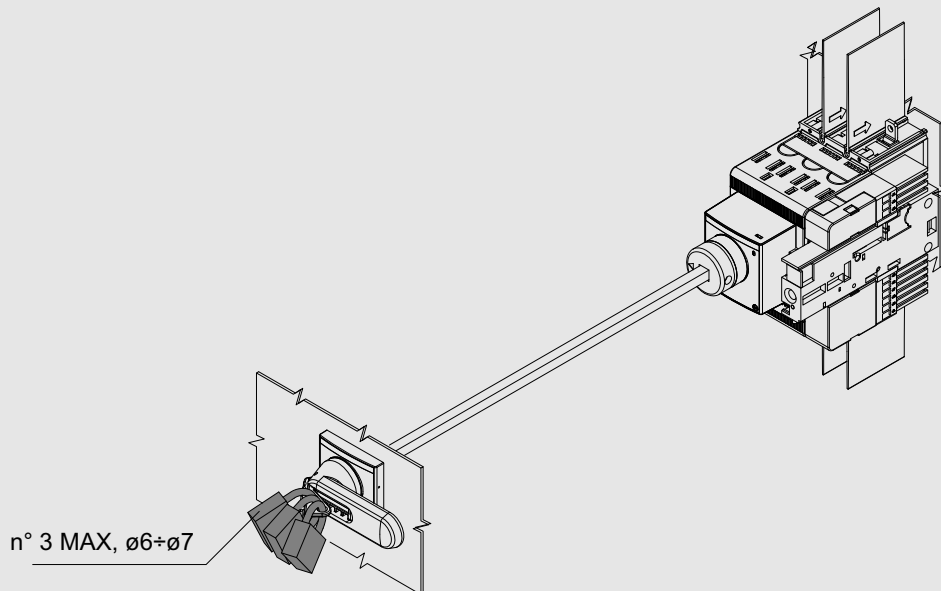
V

XT1-XT2-XT3-XT4/F-P



W

XT1-XT2-XT3-XT4/W



For more information please contact:

ABB S.p.A.  
ABB SACE Division  
Via Baioni, 35  
24123 Bergamo - Italy  
Phone: +39 035 395 111  
Fax: +39 035 395 306 - 433  
[www.abb.com](http://www.abb.com)