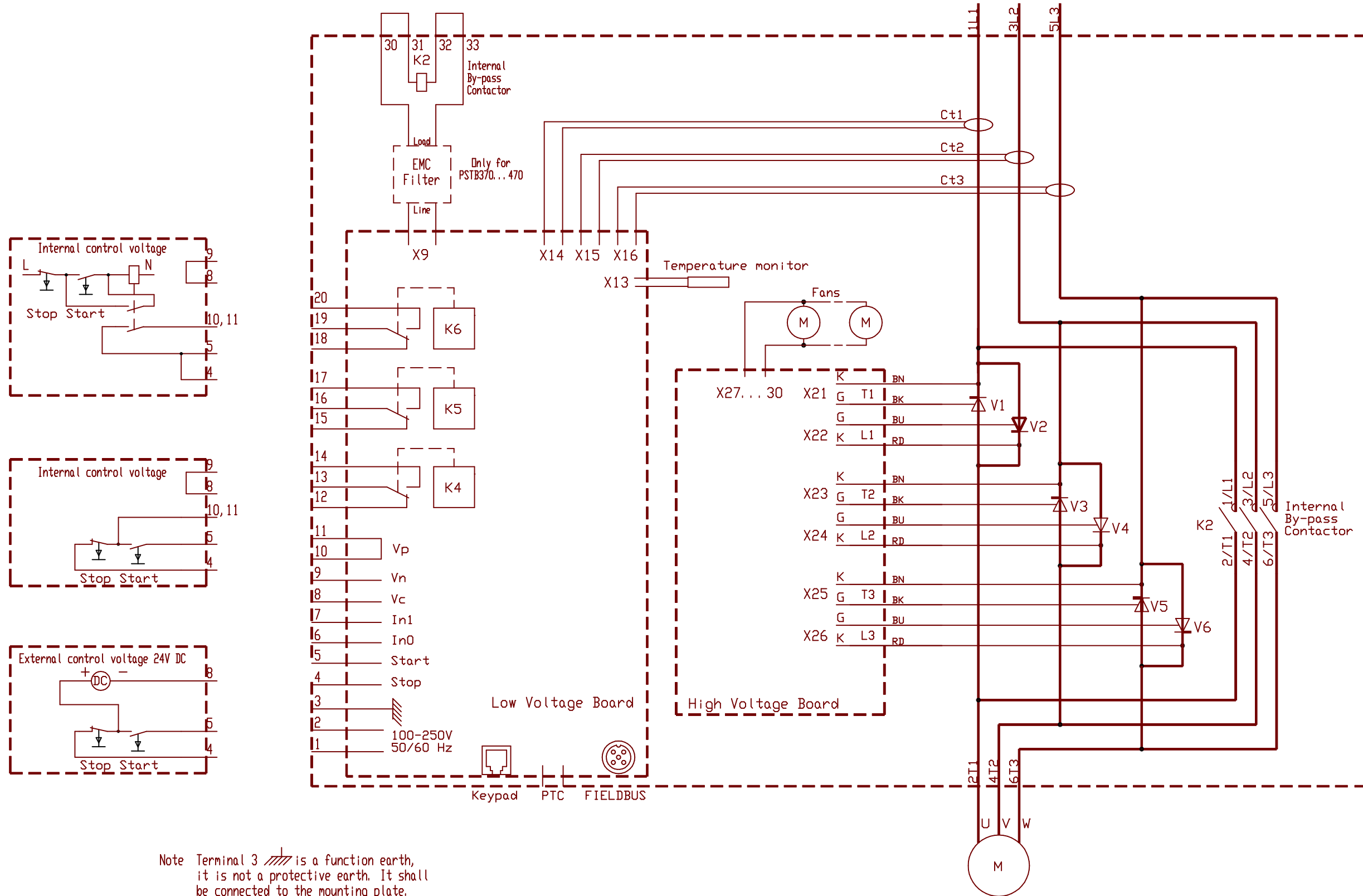


PSTB 370... 1050

We reserve all rights in this document and in the information contained therein. Reproduction, use or disclosure to third parties without express authority is strictly forbidden. © ABB Control



Note Terminal 3 is a function earth, it is not a protective earth. It shall be connected to the mounting plate.

1	Terminal 30... 33 insert	TP	03	26
Rev Ind	Revision	Appd	Year	Week

Prepared T Persson	Responsible department ATCL/ME	Title Circuit Diagram	
Approved T Persson	Take over department	Krets schema	
Revision 1	Scale 1:1	Document No. 1SFB536001G1002	Lang. 82
ABB ABB Control			Cont. -
ISSUED 030218			Sheet 1