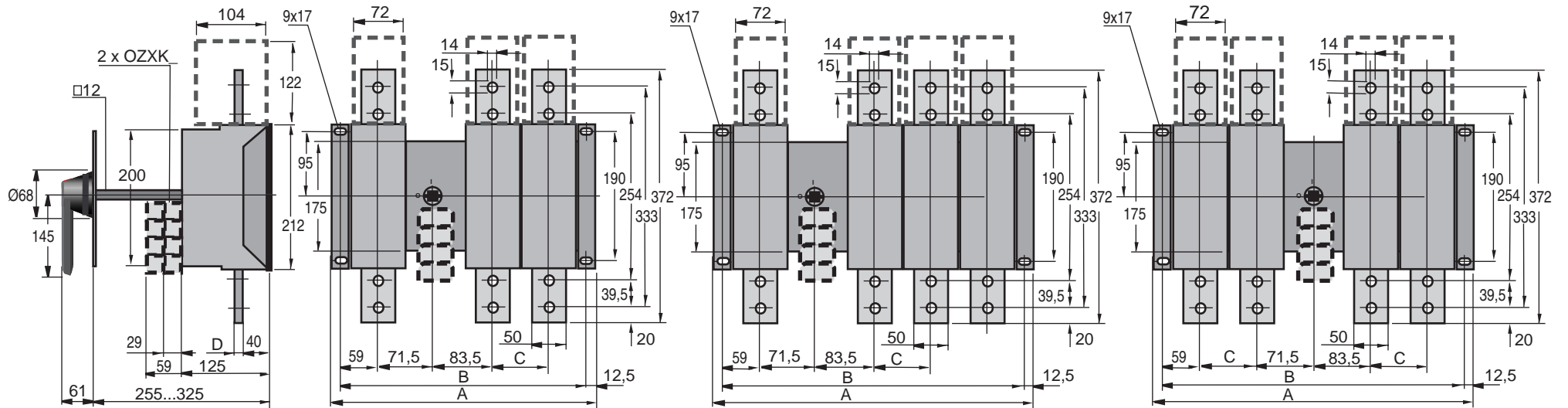


OETL 1000KV12
OETL 1250KV12
OETL 1600KV12

OETL 1000KV13
OETL 1250KV13
OETL 1600KV13

OETL 1000KV22
OETL 1250KV22
OETL 1600KV22



OETL 1000KV12...OETL1600KV13				
	A	B	C	D
OETL 1000KV12	378	353	80	12
OETL 1000KV13	458	433	80	12
OETL 1000KV22	458	433	80	12
OETL 1250KV12	378	353	80	12
OETL 1250KV13	458	433	80	12
OETL 1250KV22	458	433	80	12
OETL 1600KV12	388	363	90	16
OETL 1600KV13	478	453	90	16
OETL 1600KV22	478	453	90	16

Korvaa: 13 OETL 1000...1600KV12..13
13 OETL 1000...1600KV22

Piirustus No. 13 OETL1000KV12...1600KV22 C		Document No. VL 2237 0642	
Teki Prepared	01-06-07 HT	Tarkasti Checked	Hyväksyi Approved
ABB Control Oy Low Voltage Apparatus			