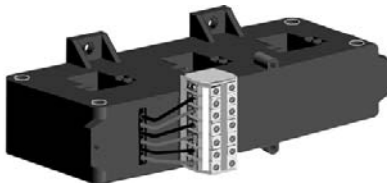


# FBP FieldBusPlug

## FBP Accessories





# FieldBusPlug

## System Accessories

### Technical Description

---

#### **Please note the following**

##### **Target group**

This description is intended for the use of trained specialists in electrical installation and control and automation engineering, who are familiar with the applicable national standards.

##### **Safety requirements**

The responsible staff must ensure that the application or use of the products described satisfy all the requirements for safety, including all the relevant laws, regulations, guidelines and standards.



**FieldBusPlug System Accessories**

**Contents**

Technical data	Page
CAL11-FBP.0	Address label for FieldBusPlug ..... 4
CP-24/5.0	Power supply 24 V DC / 5 A, output voltage adjustable ..... 5
UMC100-PAN	Control panel for Universal Motor Controller UMC100-FBP ..... 7
UMC-PAN	Control panel for Universal Motor Controller UMC22-FBP ..... 7
UMCPAN-CAB.300	Extension cable (3.0 m) and mounting set for control panel UMC ..... 8
UMCPAN-CAB.150	Extension cable (1.5 m) and mounting set for control panel UMC ..... 8
UMCPAN-CAB.070	Extension cable (0.7 m) and mounting set for control panel UMC ..... 8
CDP11-FBP.0	Passive Plug Fixing Bracket ..... 9
CDP12-FBP.100	Passive Cable for Drawer Systems (outside) ..... 10
CDP13-FBP.100	Passive Cable for Drawer Systems (inside) ..... 11
	Example for a installation in drawer systems ..... 12
CDP16-FBP.150	Passive Cable for Drawer Systems (outside) ..... 13
	Example for a installation in drawer systems ..... 14
CDP15-FBP.150	Passive Cable - FBP Interface extension between PDQ22 and FBP device ..... 15
	Installation Example of a Fixed Panel Setup ..... 16
 Current transformers for use with the Universal Motor Controller UMCxxx	
KORC 4L185 R/4, KORC 4L310 R/4	..... 17
KORC 5L500 R/4, KORC 5L850 R/4	..... 18



# FieldBusPlug

## System Accessories

### Technical Description

---

#### Accessories for FieldBusPlugs

##### CAL11-FBP.0

#### CAL11-FBP.0

##### Address labels for FieldBusPlugs

Knockout labels in the frame

Recommended ink for plotter: INK 2000  
and Clean 2000, Fa. Weidmüller

Dimensions of the labels: 8 x 17 mm

40 labels per frame

Colour: white



#### Order number

CAL11-FBP.0 1SAJ 929 005 R0001

# FieldBusPlug System Accessories Technical Description



## CP-C24/5.0 Power Supply 24 V DC / 5 A, Output voltage adjustable



CP-C24/5.0

- a Output terminals
- b Input terminals: L, N and PE
- c OUTPUT OK: green LED - operating state indication
- d Adjustment of the output voltage by potentiometer
- e Schematic circuit diagram

### Features

- Supply voltage ranges: 85-264 V AC, 100-350 V DC
- Output voltage adjustable from 22-28 V DC, default setting 24 V DC 0,5 %
- 5 A output current
- Open-circuit, overload and continuous short-circuit proof
- Power reserve up to 50 %
- High efficiency of typ. 88-89 %
- Low power dissipation and low heating
- Pluggable double connecting terminals
- Integrated input fuse
- Parallel operation for increased capacity and redundancy
- Power factor correction acc. to EN 61000-3-2
- Function modules pluggable onto the front side
- LED for status indication

### Operation mode - Adjustable output voltage

The CP-C 24/5.0 features a continuously adjustable output voltage from 22-28 V DC. Thus they can be optimally adapted to the application, e.g. compensating the voltage drop caused by a long line length.



### Ordering Data

Type	Supply Voltage	Output	Order code
CP-C 24/5.0	85-264 V AC / 100-350 V DC	22-28 V / 5 A	1SVR 427 024 R0000



# FieldBusPlug

## System Accessories

### Technical Description

#### Technical Data Overview

A full description can be found in the data sheet 2CDC114011D0202.

Data at  $T_a = 25\text{ °C}$ ,  $V_{IN} = 230\text{ V AC}$  and nominal values, if nothing else indicated.

Input Circuit L,N	
Rated input voltage $V_{IN}$	110-240 V AC
Frequency range	AC 47-63 Hz / DC 0 Hz
Current consumption $I_{IN}$	at 110-240 V AC ca. 2,2-1,2 A
Power consumption	typ. 135 W
Power failure buffering at nom. load	typ. > 100 ms
Output Circuit L+, L+, L-, L-	short-circuit, no-load and overload proof
Adjustment range of the output voltage	22-28 V DC, default setting 24 V DC 0,5 %
Tolerance of the output voltage	-1 ... +5 %
Rated output power $P_{OUT}$	120 W
Rated output current $I_{OUT}$ $T_A < 60\text{ °C}$	5 A
Overload performance	
Short circuit	continuation with current limitation
Current limitation at short circuit	approx. 11 A
Short circuit protection	continuous short circuit stability
Overload protection	thermal protection
General data	
Power dissipation	typ. < 15 W
Efficiency	> 88 %
MTBF	500.000 h
Dimensions W x H x D	56,25 x 126 x 130 mm
Weight	approx. 0,96 kg / 2,11 lb
Degree of protection	enclosure and terminals: IP 20
Protection class acc. to EN 61140	1
Mounting	DIN rail (EN 50022), snap-on mounting
Mounting position	horizontal



**Accessories for Universal Motor Controller UMC**

**UMC100-PAN**  
Control panel for UMC100-FBP

For detailed description  
see Technical Description  
of UMC100-FBP

**Order number**  
UMC100-PAN 1SAJ590000R0101



**UMC-PAN**  
Control panel for UMC22-FBP

For detailed description  
see Technical Description  
of UMC22-FBP

**Order number**  
UMC-PAN 1SAJ510001R0002





# FieldBusPlug System Accessories Technical Description

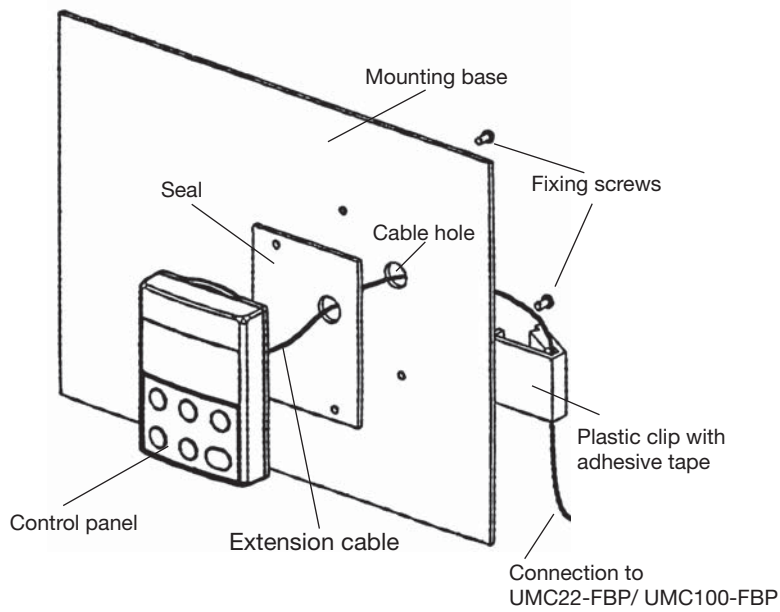
## UMCPAN-CAB.300, UMCPAN-CAB.150, UMCPAN-CAB.070 0

### Accessories for UMC100-PAN, UMC-PAN

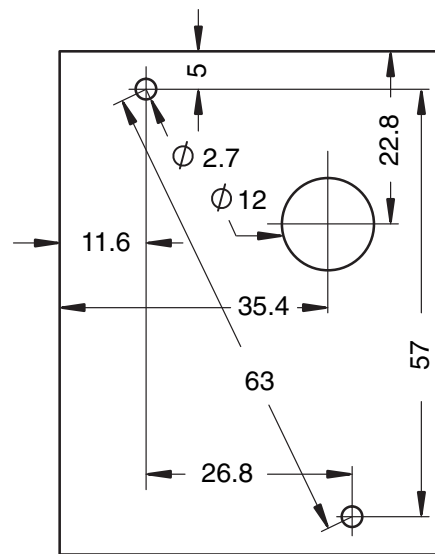
Extension cable and mounting IP 65 set for the control panel UMC.

The mounting set UMCPAN-CAB.xxx consists of an extension cable, a seal and the necessary fixing material.

Available cable length: 3.0 m, 1.5 mand 0.7 m.

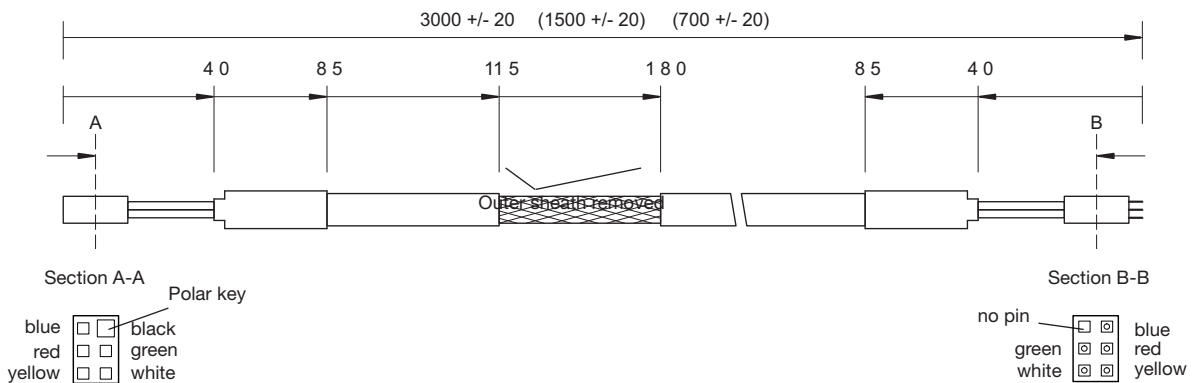


Mounting overview



Dimensions of the seal for UMCPAN-CAB

### UMCPAN-CAB Extension cable



### Order number

UMCPAN-CAB.300	Extension cable 3.0 m	1SAJ510002R0001
UMCPAN-CAB.070	Extension cable 1.5 m	1SAJ510004R0001
UMCPAN-CAB.070	Extension cable 0.7 m	1SAJ510003R0001

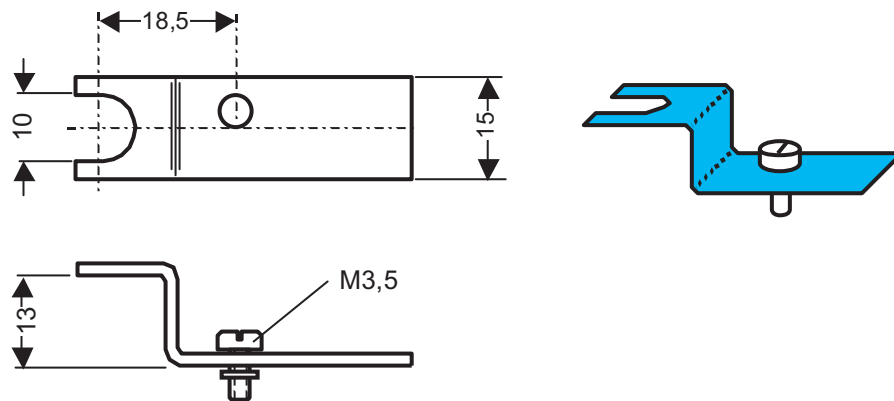
# FieldBusPlug System Accessories Technical Description



## CDP11-FBP.0 Passive Plug Fixing Bracket

Accessories for the use with Drawer Systems

The passive plug fixing bracket CDP11-FBP.0 is used for fixing the passive cable CDP13-FBP100 to the fieldbus-neutral interface of the FBP devices.



### Order number

CDP11-FBP.0 Passive plug fixing bracket 1SAJ929100R0001

Pack. size 50 pcs.



# FieldBusPlug

## System Accessories

### Technical Description

#### CDP12-FBP.100 Passive Cable for Drawer Systems (outside)

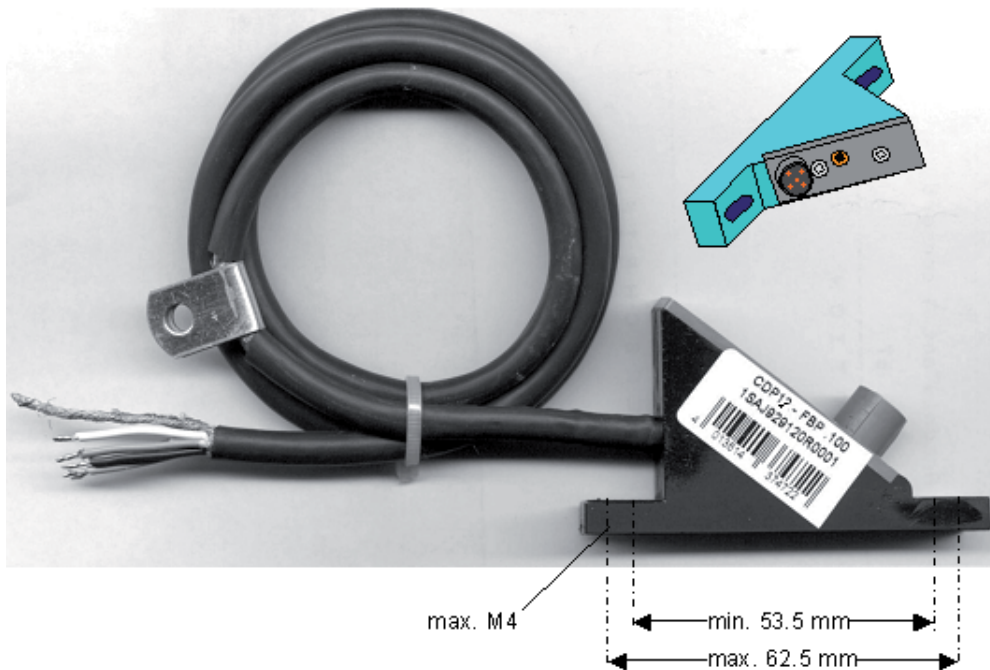
Accessories for the use with Drawer Systems

The connection between the drawers and the supply connection range is realized normally by connectors at the rear side of the drawers. The connector type depends on the manufacturer's construction of the drawer system.

The Passive Cable CDP12-FBP.100 offers the connection to the fieldbus. On one end, there is a carrier panel with a plug for the Field BusPlug. The remaining ends of the cables are to be mounted on the connectors particular to the drawer system.

Due to the angle of the carrier of the „Drawer Passive Cable (outside) CDP12 the LEDs on the FieldBusPlug can be observed even if mounted on the partition wall in the terminal area.

A metallic connection between the cabinet and the drawer is necessary to get effective shielding.

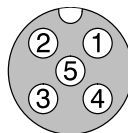


Plug type: M12 without thread, pins, A-coded

Cable type: 5 cores, shielded (braided)

Colour of cores:

pin1	brown
pin2	white
pin3	blue
pin4	black
pin5	grey



pin

Free end of the cable not defined

Cable length 1 m

Cross section: 0.25 mm<sup>2</sup> = ca. AWG 23

Insulation PU

Jacket PU or PVC

#### Order number

CDP12-FBP.100 Passive Cable (outside) 1SAJ929120R0001

# FieldBusPlug

## System Accessories

### Technical Description



#### CDP13-FBP.100

Passive Cable for Drawer Systems (inside)

Accessories for the use with Drawer Systems

The Passive Cable CDP13-FBP.100 establishes the connection of the ABB FBP devices inside the drawer systems to the connector on the back of the drawer.

With the passive plug fixing bracket CDP11-FBP.0, the CDP13-FBP M12 socket is fixed to the feldbus-neutra -interface of the FBP devices. The free ends of the cable are mounted to the connector on the back of the drawer.

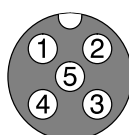


Plug type: M12, Socket, A-coded

Cable type: 5 cores, shielded (braided)

Colour of cores:

jack 1	brown
jack 2	white
jack 3	blue
jack 4	black
jack 5	grey



jack

Free end of the cable not defined

Cable length 1 m

Cross section: 0.25 mm<sup>2</sup> = approx. AWG 23

Insulation PU

Jacket PU or PVC

#### Order number

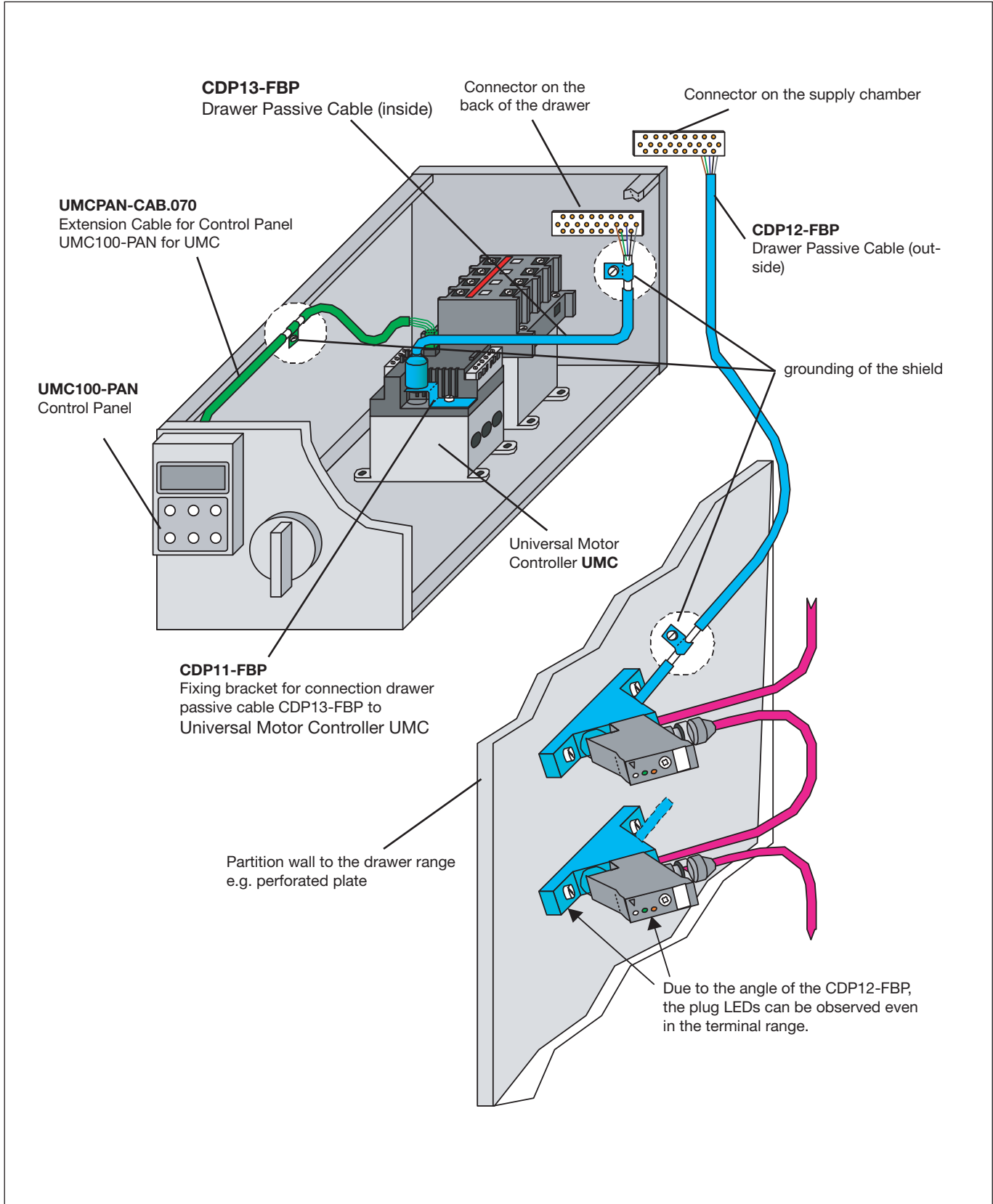
CDP13-FBP.100 Passive Cable (inside) 1SAJ929110R0001



# FieldBusPlug System Accessories Technical Description

## Example for an installation in drawer systems

Universal Motor Controller UMC mounted in a drawer. The control panel UMC100-PAN is fixed on the drawer's front side



---

# FieldBusPlug

## System Accessories

### Technical Description

---



#### **CDP16-FBP.150**

Passive Cable for Drawer Systems (outside)

Accessories for the use with Drawer Systems

The connection between a drawer and the supply chamber is usually realized with a connector at the backside of the drawer. The connector type depends from the drawer system manufacturer. The passive cable CDP16-FBP.150 can be used to connect the backside of the drawer with the fieldbus neutral interface of the FieldbusPlug. The open end of the cable must be connected to the manufacturer specific connector of the drawer backside.



Plug Type:	M12 plug connector, A-codiert
Cable type:	5 cores, shielded (braided)
Colour of cores:	
Pin 1	brown
Pin 2	white
Pin 3	blue
Pin 4	black
Pin 5	grey
Free end of the cable	not defined
Cable Length	1,5 m
Cross section:	0,25 mm <sup>2</sup> = approx. AWG 23
Insolation	PU
Jacket	PU or PVC

Order Code

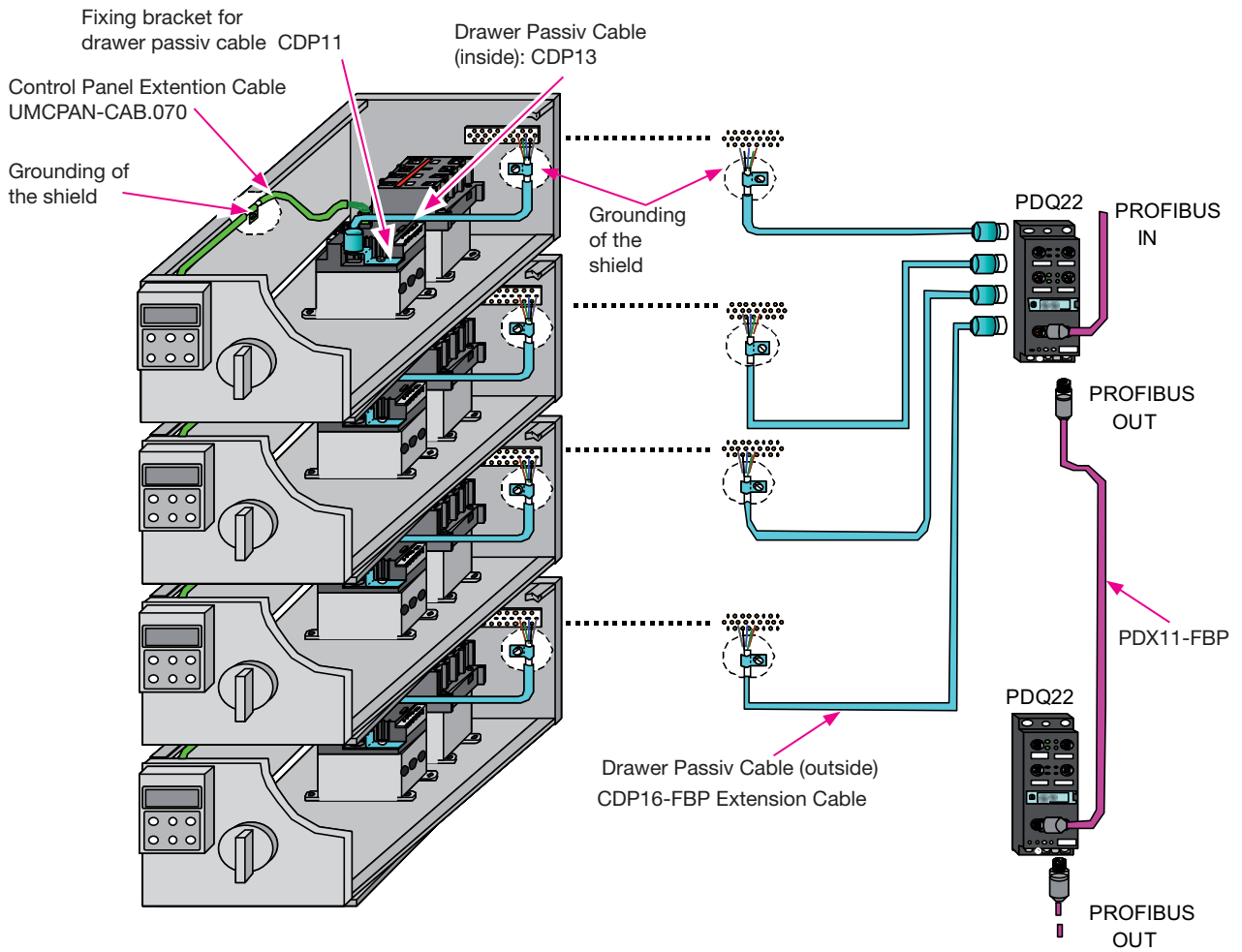
CDP16-FBP.150 Passive-Kabel (outside) 1SAJ929150R0015



# FieldBusPlug System Accessories Technical Description

## Example for an installation in drawer systems

Universal Motor Controller UMC mounted in a drawer. The connection to the PROFIBUS is realized using the PDQ22-FBP.0 and CDP16-FBP.150 cable.



PDQ22-FBP, example with drawers

---

# FieldBusPlug

## System Accessories

### Technical Description

---



#### CDP15-FBP.150 Passive Cable

FBP Interface extension between PDQ22 and FBP device

The CDP15-FBP.0 cable can be used to connect a fieldbusneutral device with the FieldbusPlug PDQ22-FBP.0.



Plug Type: M12 male connector to M12 female connector, A-coded  
Cable Type: 5 cores, shielded (braided)

Cable Length: 1,5 m  
Cross section: 0,25 mm<sup>2</sup> = approx. AWG 23  
Insulation: PU  
Jacket: PU or PVC

Order Code

CDP15-FBP.150 Passive-Kabel (outside) 1SAJ929140R0015



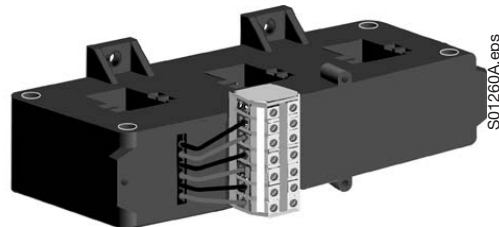


**Current transformers for use with the Universal Controller UMC22-FBP**

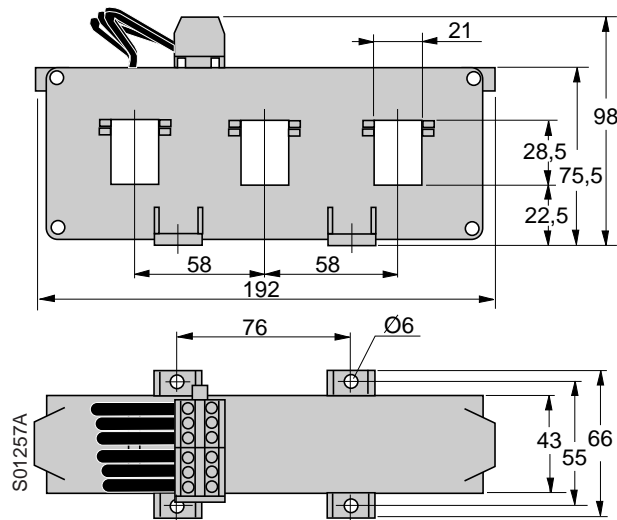
Secondary-linear transformer, 3-phase with terminal block, intended for conductors Cu 2,5 mm<sup>2</sup>

**Current transformers**

**KORC 4L185 R/4**  
**KORC 4L310 R/4**



**Dimensioned drawing**



**Order numbers**

**Current transformers KORC**

Type	Designation	Current range recommended	Order number	Pack size	Weight kg
<b>KORC 4L 185 R/4</b>	Current transformer	60 ... 185 A	<b>1SCA 022 193 R7830</b>	1	1.550
<b>KORC 4L 310 R/4</b>	Current transformer	180 ... 310 A	<b>1SCA 022 181 R0760</b>	1	1.442

**Connection kit for applications with the KORC-current-transformers with A-series-contactors**

Type	Designation	Appropriate for contactor type	Order number	Pack size	Weight kg
<b>DT 450 / A185</b>	Connection kit	AF145 - AF185	<b>1SAZ 501 901 R1001</b>	1	0.500
<b>DT 450 / A300</b>	Connection kit	AF260 - AF300	<b>1SAZ 501 902 R1001</b>	1	0.750



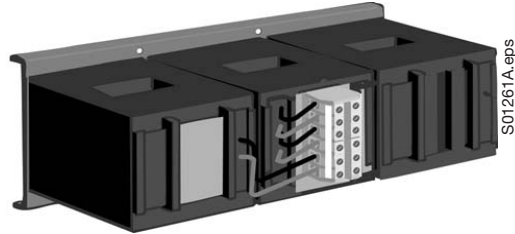
# FieldBusPlug System Accessories Technical Description

## Current transformers for use with the Universal Controller UMC22-FBP

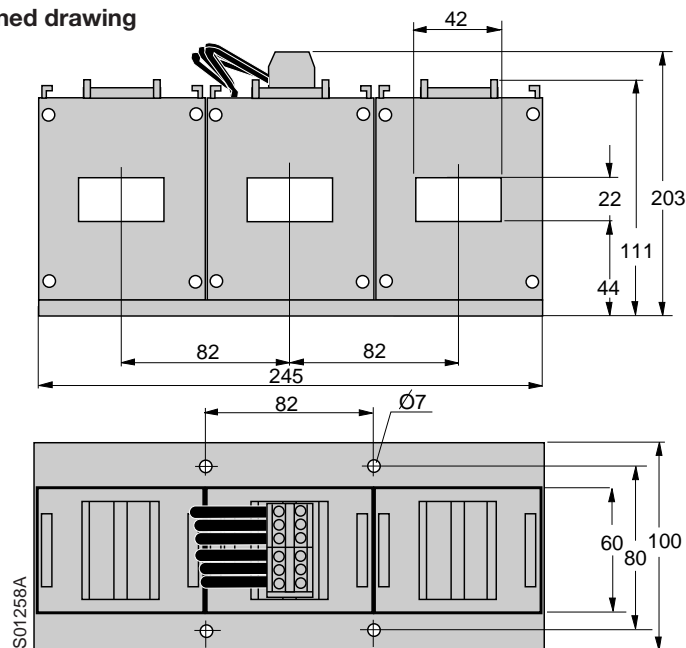
Secondary-linear transformer, 3-phase with terminal block, intended for conductors Cu 2,5 mm<sup>2</sup>

### Current transformers

KORC 5L500 R/4  
KORC 5L850 R/4



### Dimensioned drawing



### Order numbers

#### Current transformers KORC

Typ	Bezeichnung	empfohlener Strombereich	Bestell-Nummer	VE Stück	Gewicht kg
KORC 5L 500 R/4	Current transformer	300 ... 500 A	<b>1SCA 022 208 R 1010</b>	1	1,70
KORC 5L 850 R/4	Current transformer	500 ... 850 A	<b>1SCA 022 208 R 1440</b>	1	1,900

#### Connection kit for applications with the KORC-current-transformers with A-series-contactors

Type	Designation	Appropriate for contactor type	Order number	Pack size	Weight kg
<b>DT 500 / AF460L</b>	Connection kit <sup>1)</sup>	AF400 - AF460	<b>1SAX 701 902 R 1001</b>	1	0,500
<b>DT 800 / AF750L</b>	Connection kit <sup>1)</sup>	AF580 - AF750	<b>1SAX 801 902 R 1001</b>	1	0,750

<sup>1)</sup> Connection kit for für Star-Delta-Starter.

---

**FieldBusPlug**  
**System Accessories**  
Technical Description

---



# Contact

## **ABB STOTZ-KONTAKT GmbH**

P. O. Box 10 16 80  
69006 Heidelberg, Germany

Phone: +49 (0) 6221 7 01-0  
Fax: +49 (0) 6221 7 01-240  
E-Mail: [automation-helpline.desto@de.abb.com](mailto:automation-helpline.desto@de.abb.com)  
Internet <http://www.abb.de/stotzkontakt>

### **Note:**

We reserve the right to make technical changes or modify the contents of this document without prior notice. With regard to purchase orders, the agreed particulars shall prevail. ABB AG does not accept any responsibility whatsoever for potential errors or possible lack of information in this document.

We reserve all rights in this document and in the subject matter and illustrations contained therein. Any reproduction, disclosure to third parties or utilization of its contents – in whole or in parts – is forbidden without prior written consent of ABB AG.

Copyright© 2010 ABB  
All rights reserved

2CDC192 009 D0205 11.2010