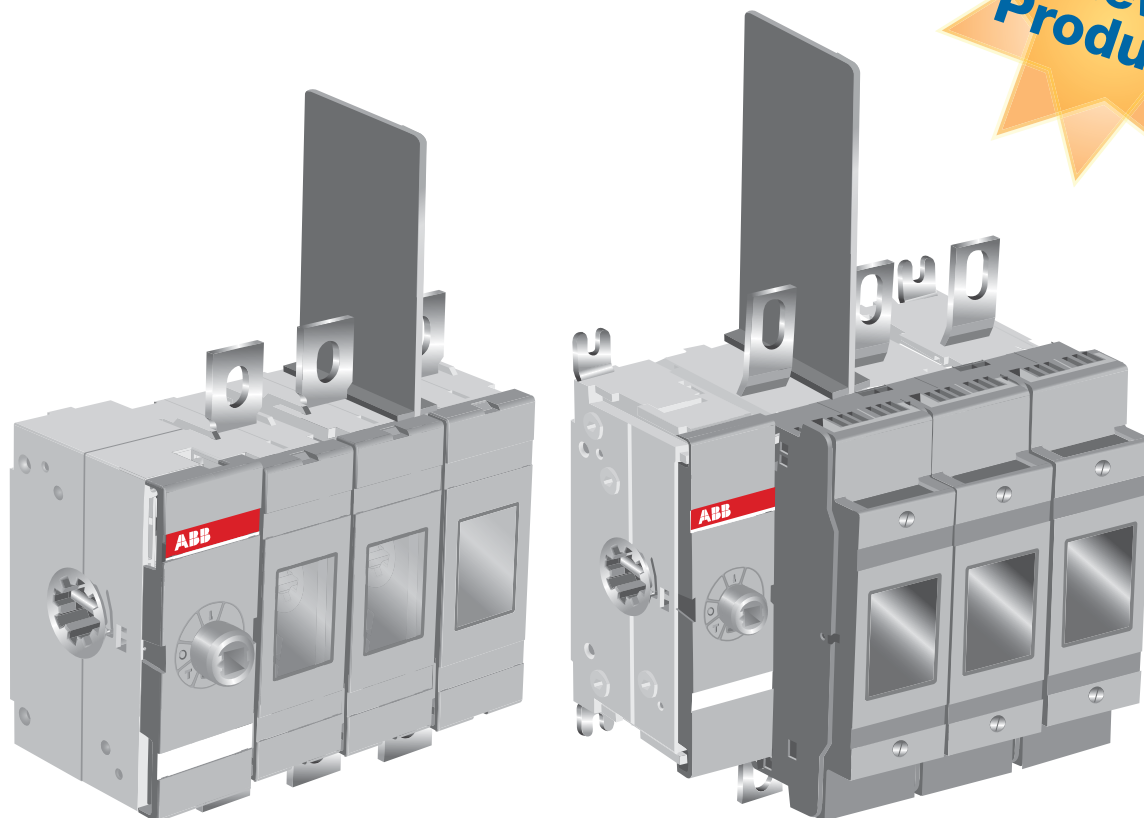




New accessories for OS and OT switch ranges



The phase barriers designed for T4-T5 MCCB's can also be used for OT200-800 switch-disconnectors and OS200-400 switch fuses as shown in Table 1.

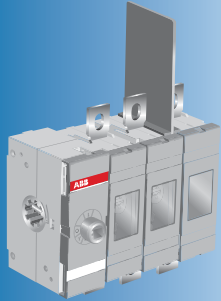
Please note, the dimensions for cutting the phase barriers for switches are given in Table 1. They are not the same as for Tmax T4 or T5 type circuit-breakers.

Orders should be assigned directly to ABB SACE S.p.A LV Breakers sales department. Ordering codes are given in Table 2.

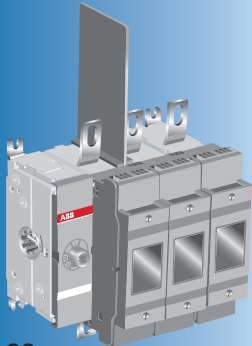


Table 1. Suitable phase barrier types

ABB SACE Tmax T4-T5 phase barriers for OT200-800 and OS200-400				
Switch types	Poles	Barriers need for full protection (pcs)	Phase barrier type	Cutting width for the phase barrier (mm)
OT200, OT250	3	4	PB100 low or PB200 high	55
	4	6		55
OT315, OT400, OT500	3	4	PB100 low or PB200 high	67
	4	6		67
OT630, OT800	3	4	PB100 low or PB200 high	90
	4	6		90
OS200, OS250	3	4	PB100 low or PB200 high	55
	4	6		55
OS200J	-	-	Not suitable for OS200J	-
OS315, OS400, OS400J	3	4	PB100 low or PB200 high	55
	4	6		55



OT

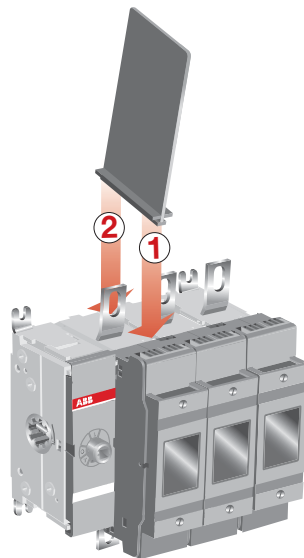


OS

Table 2. Ordering codes

Type	Ordering codes
PB100 low (h=100mm) - 4 pieces	1SDA054970R1
PB100 low (h=100mm) - 6 pieces	1SDA054971R1
PB200 high (h=200mm) - 4 pieces	1SDA054972R1
PB200 high (h=200mm) - 6 pieces	1SDA054973R1

OS switch fuses



OT switch disconnectors

