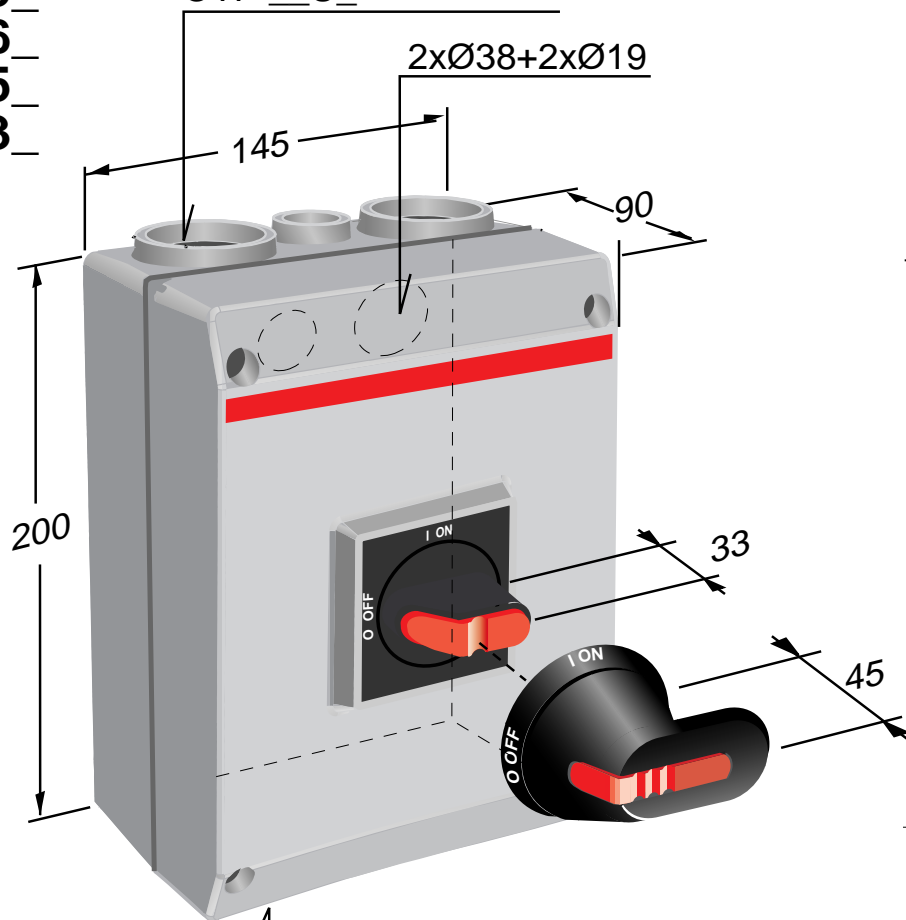
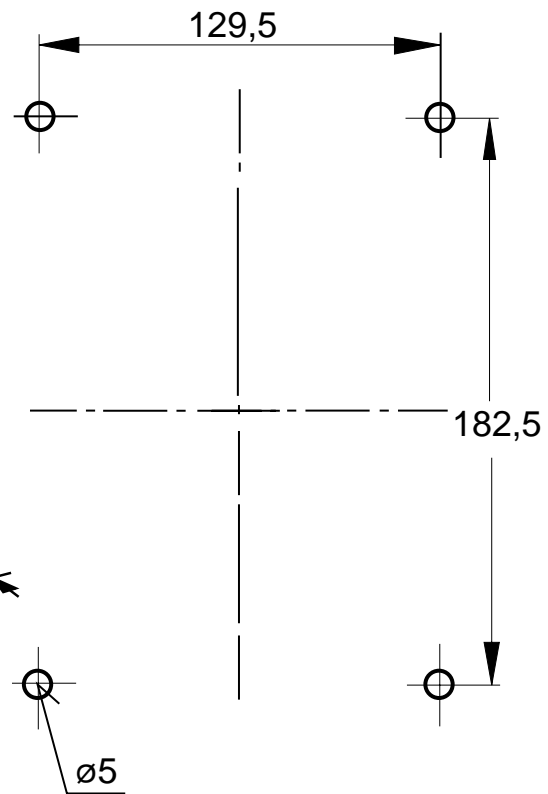


OTP 25
OTP 36
OTP 45
OTP 63

OTP __P__ = 2xPg29+Pg11
 OTP __M__ = 2xM32+M16
 OTP __U__ = -



OTP __P__ = 2xPg29+Pg11
 OTP __M__ = 2xM32+M16
 OTP __U__ = -



Piirustus No.	13 OTP 25...63_ A		
Document No.	VL 2246 1133		
Teki Prepared	97-08-21 R Laitalainen	Tarkasti Checked	Hyväksyi Approved
ABB Control Oy		Low Voltage Apparatus	