

ABB i-bus[®] EIB Zone terminal FM MT/U 2.12.1

Intelligent Installation Systems



Contents	Page
1 General	
1.1 Product and functional overview	2
1.2 System benefits	3
2 Device configuration	
2.1 Technical data	4
2.2 Device connection	5
2.3 Description of the inputs and outputs	5
2.4 Functional overview	6
3 Function and operation	
4 Project design and programming	
4.1 Communication objects	7
4.2 Parameter window: General	9
4.3 Parameter window: Zones	10
4.4 Parameter window: Supply Voltage	11
4.5 Parameter window: Walk Test	12
4.6 Parameter window: Setting/Arming	13
4.7 Behaviour on bus voltage failure and recovery	14
4.8 Behaviour on supply voltage failure and recovery	14
5 Planning and application	
5.1 Overview and general recommendations	15
5.2 Stand-alone operation without central security logic	15
5.3 Operation in connection with intruder alarm control unit L208	17
6 Appendix	
6.1 Ordering information	20

This manual describes the function of the EIB zone terminal MT/U 2.12.1.
Subject to change without prior notice.

1 General

1.1 Product and functional overview

The zone terminal MT/U 2.12.1 is used for the monitored connection of sensors from security technology to the ABB i-bus® EIB.

The device has two monitored circuits ("zones") available, which continuously supervise an EOL resistor of 2.7 kΩ. The device thus offers security against deliberate or unintentional disconnection/short-circuiting of the detector zones.

Since the device is flush-mounted, it can be positioned in the vicinity of the detectors. It is suitable for the connection of conventional detectors such as

- magnetic contacts,
- passive infrared movement detectors,
- glass-breakage sensors.

The connection of potential free contacts is possible in applications with increased security requirements.

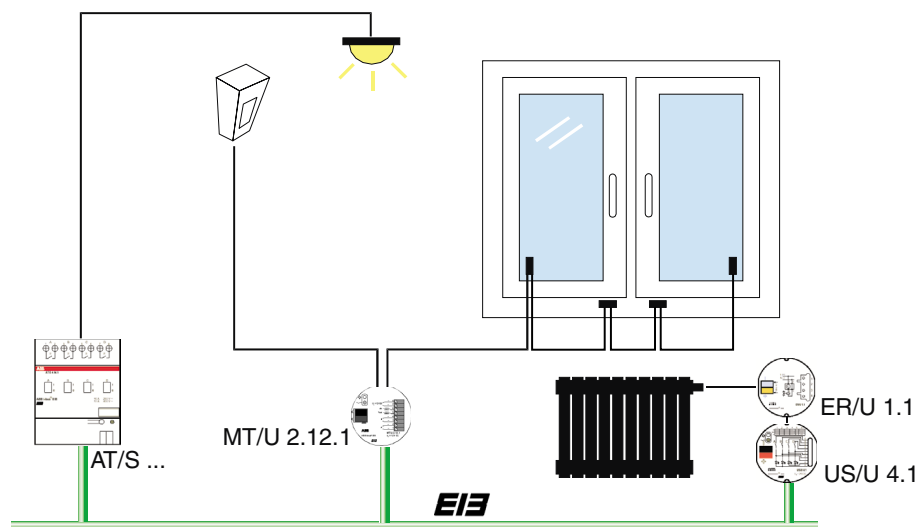


Diagram 1: Example of room monitoring with lighting and heating control

1.2 System benefits

The connection of EIB to security technology offers the user considerable advantages.

Clear operation

The clear operation and display possibilities of EIB help to maintain an overview. The building thus always informs the user in clear text about the current status of the building and security functions. If necessary, the user can also be alerted via telephone.

Economic efficiency

New possibilities create economic benefits: detectors have multiple functions.

A movement detector can thus switch the lighting when the alarm system is not set or the heating in the room is automatically lowered when a window is opened (see diagram).

When the alarm system is set, these same detectors protect the building from intruders.

Functions for convenience

Central functions can also be triggered in the building when the system is set.

When leaving the building, the lighting is switched off and the room temperature is reduced if the alarm system has been set.

When the system is unset, the building creates pleasant lighting conditions for the occupants on their return.

The lighting can be switched and the room temperature can be controlled with the setting/unsetting of the alarm system in the building.

2 Device configuration

The device functions of the MT/U 2.12.1 are outlined in this section.

2.1 Technical data

Power supply:

Supply voltage:	12 V DC \pm 2 V SELV Residual ripple \leq 1,0 V _{ss} Power consumption < 35 mA, typ. 25 mA
Bus voltage:	via the ABB i-bus® EIB Power consumption < 10 mA

Inputs:

2 zones:	A and B Primary circuit, EOL resistor. 2,7 k Ω Open-circuit voltage 12 V DC Short-circuit current max. 6 mA Permitted cable resistance: max. 200 Ω
----------	--

Outputs:

2 control outputs:	"Set/unset", "Walk test" Output impedance 1,5 k Ω
--------------------	---

Operating and display elements:

Red LED and push button:	For entering the physical address
--------------------------	-----------------------------------

Connections:

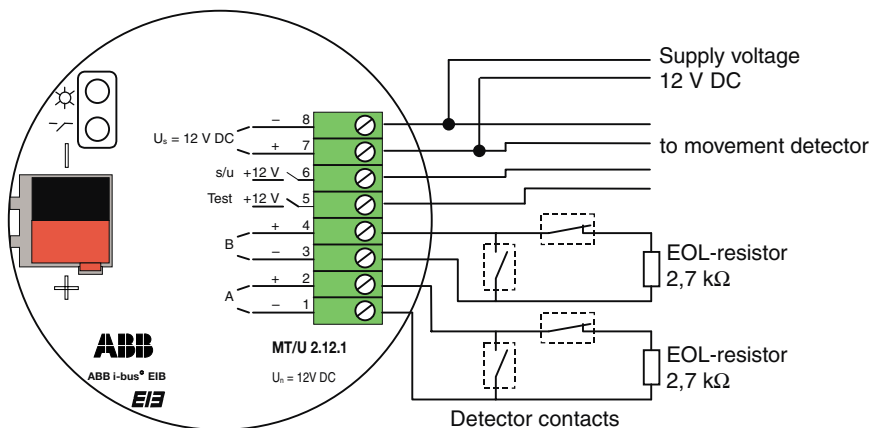
Conductor cross-section:	0,2 – 1 mm ²
ABB i-bus® EIB:	Bus connecting terminal

Miscellaneous:

Type of protection:	IP 20 according to DIN EN 60 529
CE-mark:	According to EN 50090-2-2 EMC-guideline and low voltage guideline
Operating temperature rang:	– 5°C to + 45°C
Installation:	In flush-type box \varnothing 55 mm
Dimensions (\varnothing x H):	54 x 28 mm
Weight:	0.05 kg

Zone terminal, 2-fold, FM MT/U 2.12.1, GH Q631 0060 R0111

2.2 Device connection



Note: The MT/U 2.12.1 requires an external power supply of 12 V DC. A backup supply for the EIB bus voltage in the event of mains failure is recommended for security applications.

2.3 Description of the inputs and outputs

Zone inputs: (terminals 1 to 4)

The device has 2 zone inputs (terminal pairs 1-2 and 3-4). The zones are provided with EOL resistors of 2.7 kΩ.

The zone input is undisturbed if the resistance value deviates from the reference value of 2.7 kΩ by less than approx. 200 Ω.

Important: To enable the zone terminal to function correctly, even unused zone inputs must be terminated with a 2.7 kΩ resistor. This can be carried out directly at the input terminals.

'Walk test' output: (terminal 5 'Test')

The 'Test' output is a 12 V DC transistor output. The 'Walk test' function of passive infrared detectors can be activated with this output.

	Walk test OFF	Walk test ON
'Test' outputs	0 V (high-resistance)	12 V (1,5 kΩ)

'Set/unset' output: (terminal 6 's/u')

The 's/u' output is a 12 V DC transistor output, which indicates whether the zone terminal is activated or deactivated.

	Device unset	Device set
's/u' output	0 V (high-resistance)	12 V (1,5 kΩ)

Supply voltage inputs: (terminals 7 and 8)

The required 12 V DC supply voltage is connected at this point (terminal 7: +12 V DC, terminal 8: 0 V DC). Terminal 8 is also used as the common reference potential for the outputs 'Test' and 's/u'.

2.4 Functional overview**Setting**

The zone terminal is set via the EIB (communication object "Set/Unset Request").

When the zone terminal is set, it is triggered by a fault in one of the zones and the alarm memory (see below) is activated.

It is not possible to set the device if an alarm is active, if there is a fault in a zone or if the supply voltage has failed; if an attempt is made to set the device, the communication object "Set/Unset Request" responds with the value "0".

Alarm and alarm memory

The alarm memory is activated if the device switches to the alarm state. An alarm is triggered if there is a fault in one of the zones or on receipt of the value "1" at the communication object "Alarm".

The alarm memory ensures that the value of a zone is not reset to "0" after an alarm. It is thus possible to trace which detectors were triggered during the alarm. When the device is unset, the values of the zones remain unchanged until a reset is carried out.

Walk test

Some detectors (e.g. infrared movement detectors) have a walk test input so that the detection range can be set. When the walk test is activated, an LED on the movement detector indicates whether movement has been recorded.

The zone terminal therefore has a walk test function available with the associated output. When the walk test is activated, the voltage at the 'Test' output is 12 V DC.

The 'Test' output can be set with a time limit. In this case, it switches off automatically once the set time has elapsed.

The walk test function is switched on and off via the bus (communication object "Walk Test").

Reset

A reset must be carried out after an alarm to delete the alarm state. A reset can only be carried out when the device is unset. This process deletes and deactivates the alarm memory.

The reset request is received via the bus (communication object "Reset").

Switch off zones

It is possible to switch off any zones via the bus. If a zone is switched off, it does not trigger any alarms or prevent the device from being set.

3 Function and operation

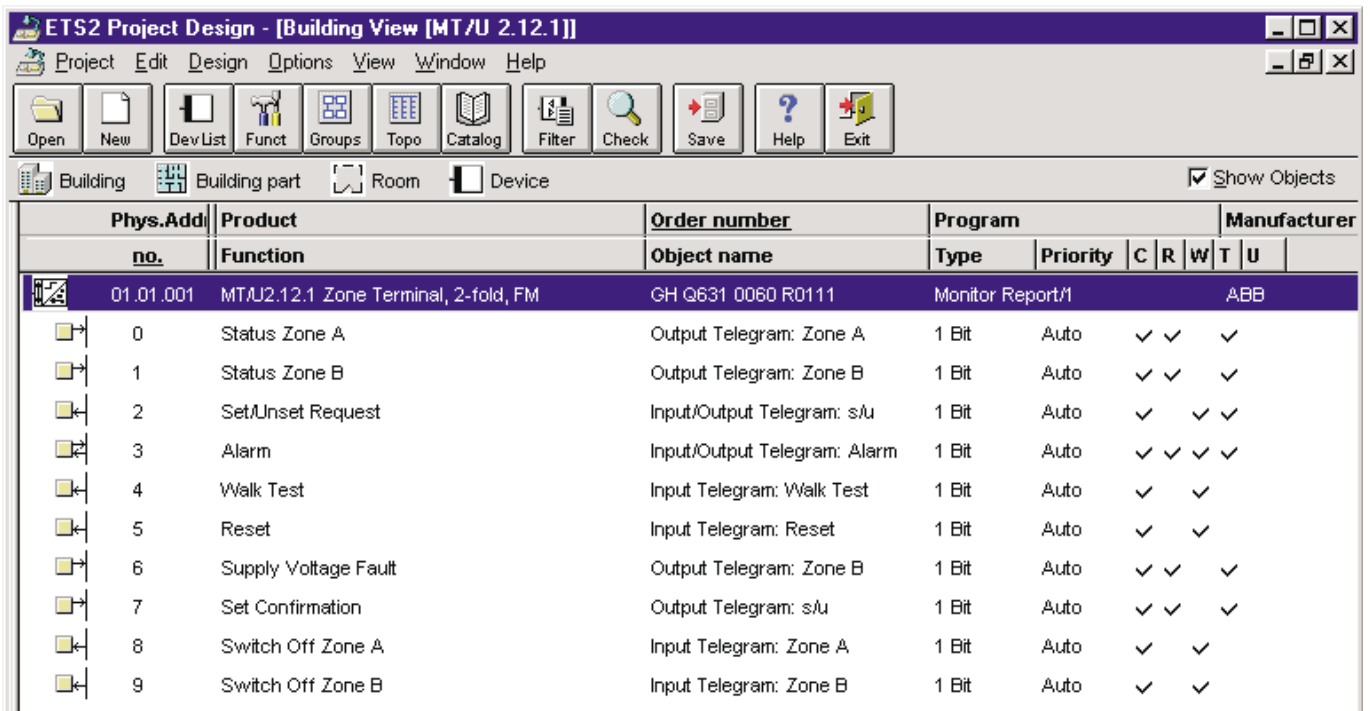
This section does not apply.

4 Project design and programming

4.1 Communication objects

The application software has ten 1 bit communication objects.

Some of the communication objects are dynamic and only visible if the corresponding parameters have been activated in the application software.



Zone objects "Status Zone A/B" (1 bit)

Each zone has a separate 1 bit communication object which can send the status of the zone to the EIB bus.

	Telegram value "0"	Telegram value "1"
Status of zone	No fault	Fault

If the alarm memory is activated, the telegram value does not revert to "0" until a reset has been carried out. A reset is only possible if the device is deactivated.

"Set/Unset Request"

With the communication object "Set/Unset Request", the device receives a request for setting or unsetting. If it is not possible to set the device, this communication returns the value "0". This also prevents other devices from being set.

Zone terminal, 2-fold, FM MT/U 2.12.1, GH Q631 0060 R0111

	Telegram value "0"	Telegram value "1"
Receive	"Unset" request	"Set" request
Send	Response "Setting is not possible"	

"Alarm"

If an alarm is triggered while the device is set (e.g. due to a fault in a zone), the communication object "Alarm" is sent on the bus with the value "1". An alarm can only be deleted by a reset when the device is unset (see communication object "Reset").

If the device receives the value "1" at the communication object "Alarm", (e.g. from another zone terminal), the alarm memory is switched on.

	Telegram value "0"	Telegram value "1"
Status of the device	No alarm	Alarm, alarm memory ON

"Walk test"

The walk test function of the zone terminal can be switched on with the communication object "Walk Test" (value "1") or switched off (value "0").

	Telegram value "0"	Telegram value "1"
Status of the 'Test' output	Switched off (0 V)	Switched on (12 V)

If the zone terminal switches the walk test function off automatically during timed operation, this information is not sent on the bus.

"Reset"

A reset of the zone terminal can be requested via the communication object "Reset".

A reset is only possible when the device is deactivated.

	Telegram value "0"	Telegram value "1"
Receipt of telegram	-	"Reset" request

"Supply Voltage Fault"

The status of the 12 V DC supply voltage is reported with this communication object. By sending this telegram cyclically, the presence of the zone terminal can be monitored on the bus.

	Telegram value "0"	Telegram value "1"
Status of the supply voltage	OK	Fault

”Set Confirmation“

The communication object ”Set Confirmation“ contains the current state of the zone terminal. The status is sent on the bus once the device has been successfully set or unset.

	Telegram value ”0“	Telegram value ”1“
Status of the device	Unset	Set

Note: This communication object can generate a high telegram load on the bus when many devices are set or unset. If the state of an alarm system is to be displayed on several zone terminals MT/U 2.12.1, the communication object ”Set/Unset Request“ is more suitable.

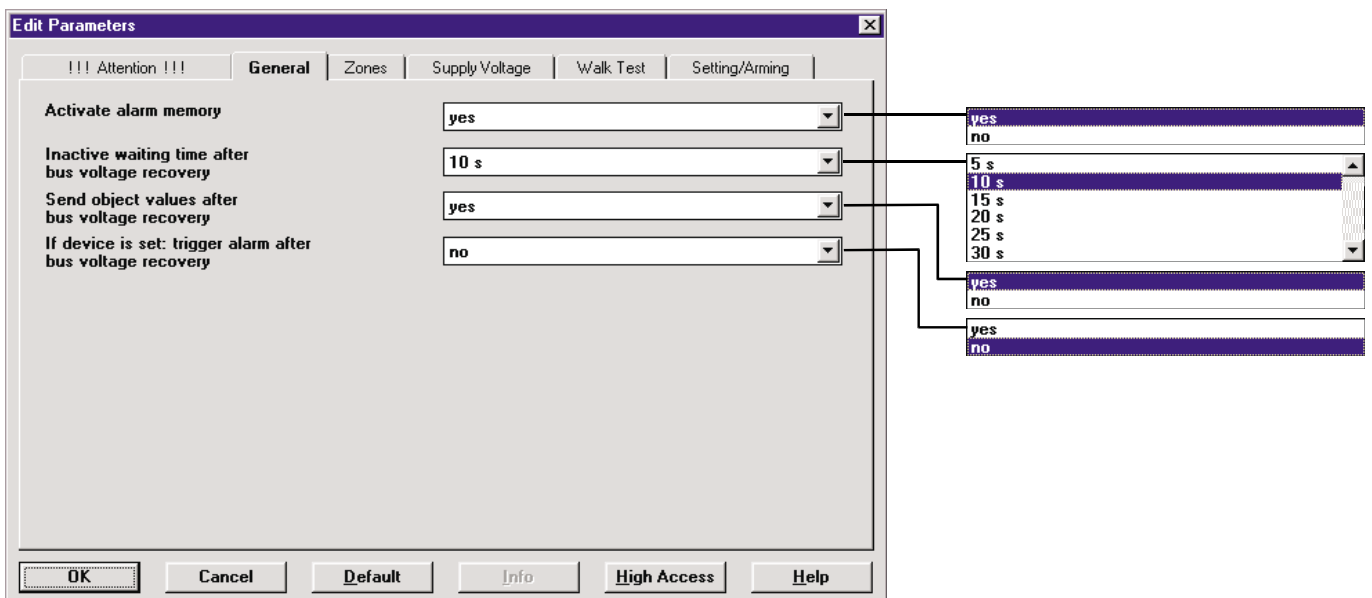
”Switch Off Zone A/B“

Zones can be switched off individually. A disconnected zone does not trigger any alarms and does not prevent the device from being set; its status is displayed on the bus.

	Telegram value ”0“	Telegram value ”1“
Function of the zone	Switched on	Switched off

**4.2 Parameter window:
General**

General settings for the device are carried out in the ”General“ parameter window:



Activate alarm memory

The alarm memory is normally activated in the alarm state. This can be prevented by setting the parameter value to ”no“.

Inactive waiting time after bus voltage recovery

The initialisation time determines the period when no telegrams are sent by the device after bus voltage recovery. If various devices have different initialisation periods, a telegram overload on the bus can be prevented.

Zone terminal, 2-fold, FM MT/U 2.12.1, GH Q631 0060 R0111

Note: The minimum period of 5 seconds corresponds to the minimum period in the technical specifications.

During this period, the outputs 'Test' and 's/u' are undefined.

Send object values after bus voltage recovery

With this parameter, it can be set whether the communication objects 0, 1, 3, 6 and 7 are sent on the bus after bus voltage recovery. This can be used for example to update a central visualisation display.

Further information about the behaviour of the device during/after bus voltage recovery can be found under section 4.7.

If device is set: trigger alarm after bus voltage recovery

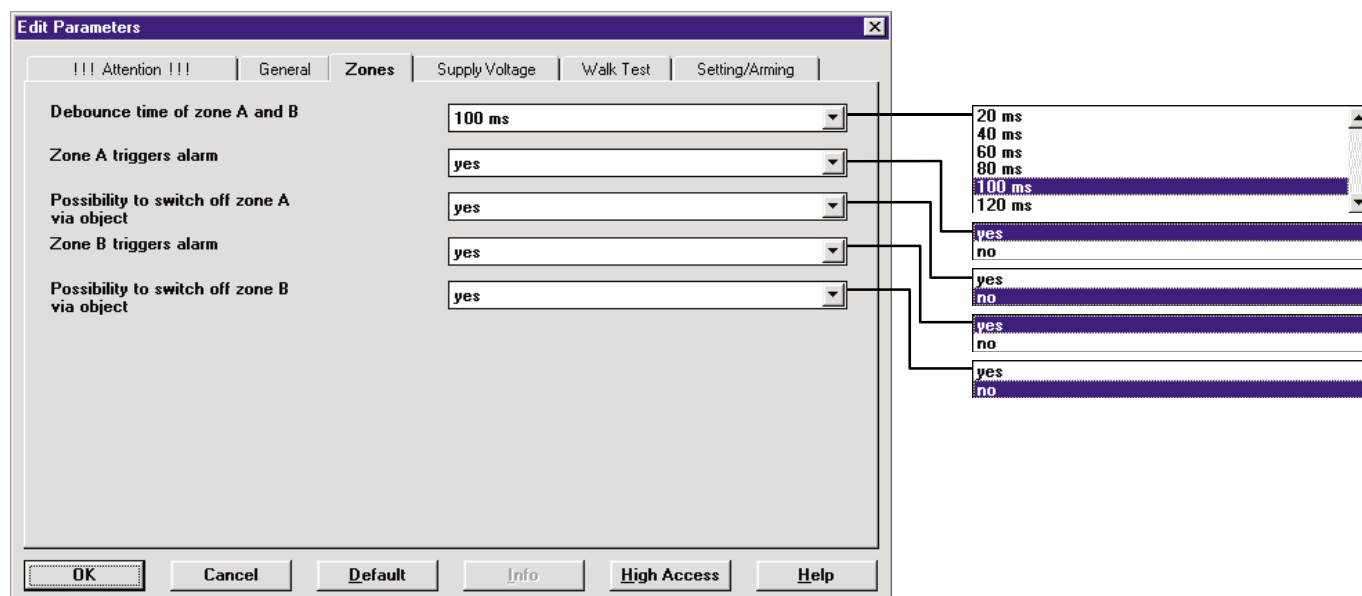
This parameter determines whether an alarm is sent after bus voltage failure when the device is set.

The value is then only sent automatically on the bus if the parameter "Send object values after bus voltage recovery" has been set to "yes".

Important: To prevent false alarms, this parameter should only be set to "yes" if a backup supply for the bus voltage is existing in the case of mains failure.

4.3 Parameter window: Zones

Settings for zones A and B are carried out in this parameter window:



Debounce time

With the parameter "Debounce time", it is possible to support the bouncing of the detector contacts and the zone inputs. This prevents telegrams from being sent unnecessarily.

Zone triggers alarm

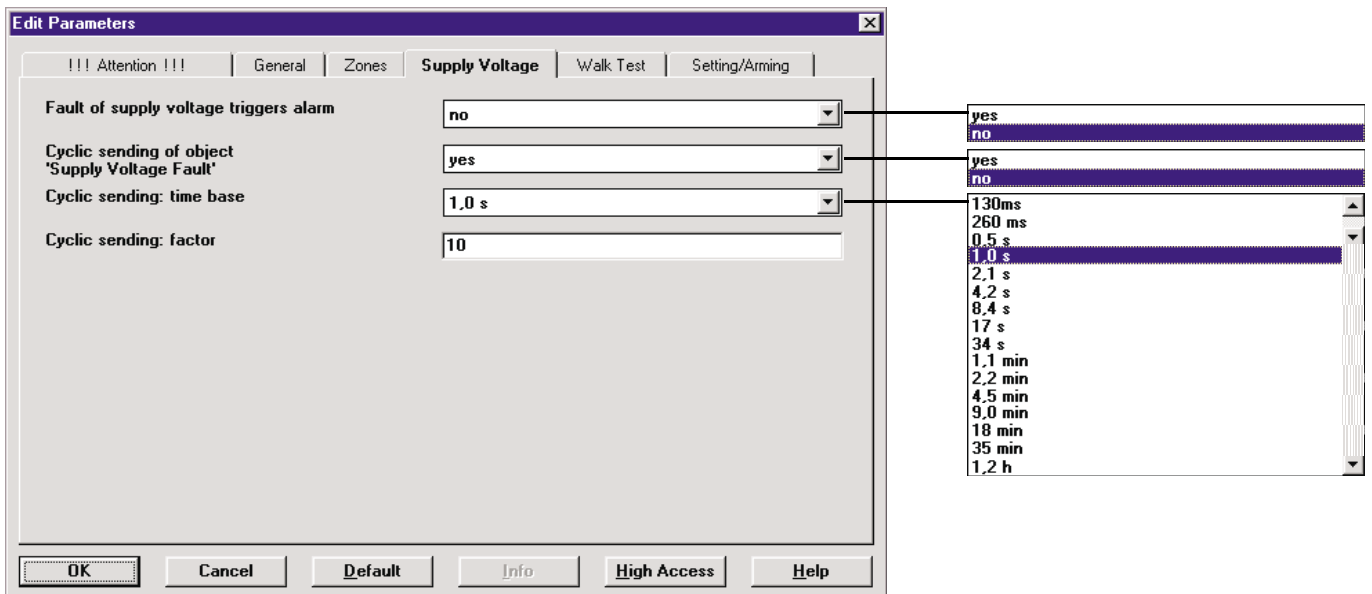
If the parameter value is selected as "no", the value of the object "Alarm" is not set to "1" after a fault in this zone when the device is set. The alarm memory is also disabled for this zone and a signal does not prevent the device from being set.

Possibility to switch off zone via object

If this parameter is set to "yes", the zone can be switched off via the communication object "Switch Off Zone A/B". A disconnected zone does not trigger an alarm and does not prevent the device from being set; its status is still displayed on the bus.

**4.4 Parameter window:
Supply Voltage**

Settings for the communication object "Supply Voltage Fault" are carried out in this parameter window. This can for example be used to monitor the presence of the device.



Fault of supply voltage triggers alarm

In the event of a fault in the 12 V DC supply voltage, it can be set whether the communication object "Alarm" also contains the value "1" (parameter value "yes") in addition to the communication object "Supply Voltage Fault".

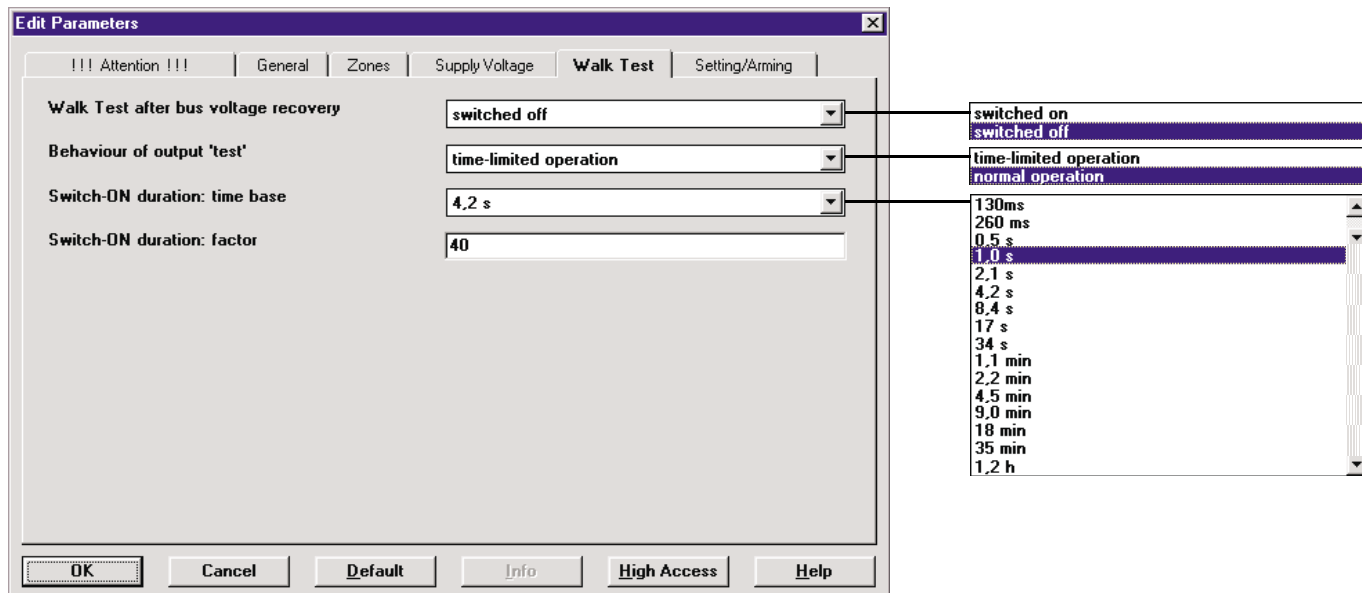
Cyclic sending of object "Supply Voltage Fault"

The function "Cyclic sending of object "Supply Voltage Fault" can be activated or deactivated. The sending interval can be specified with the parameters "Cyclic sending: time base" and "Cyclic sending: factor". The time is calculated as follows:

$$\text{Duration of the sending interval} = \text{Base} \times \text{Factor.}$$

**4.5 Parameter window:
Walk Test**

The settings for the 'Test' output are carried out in this parameter window.



Walk test after bus voltage recovery

It can be set whether the walk test function should be "switched on" or "switched off" after bus voltage failure.

Normal operation and time-limited operation

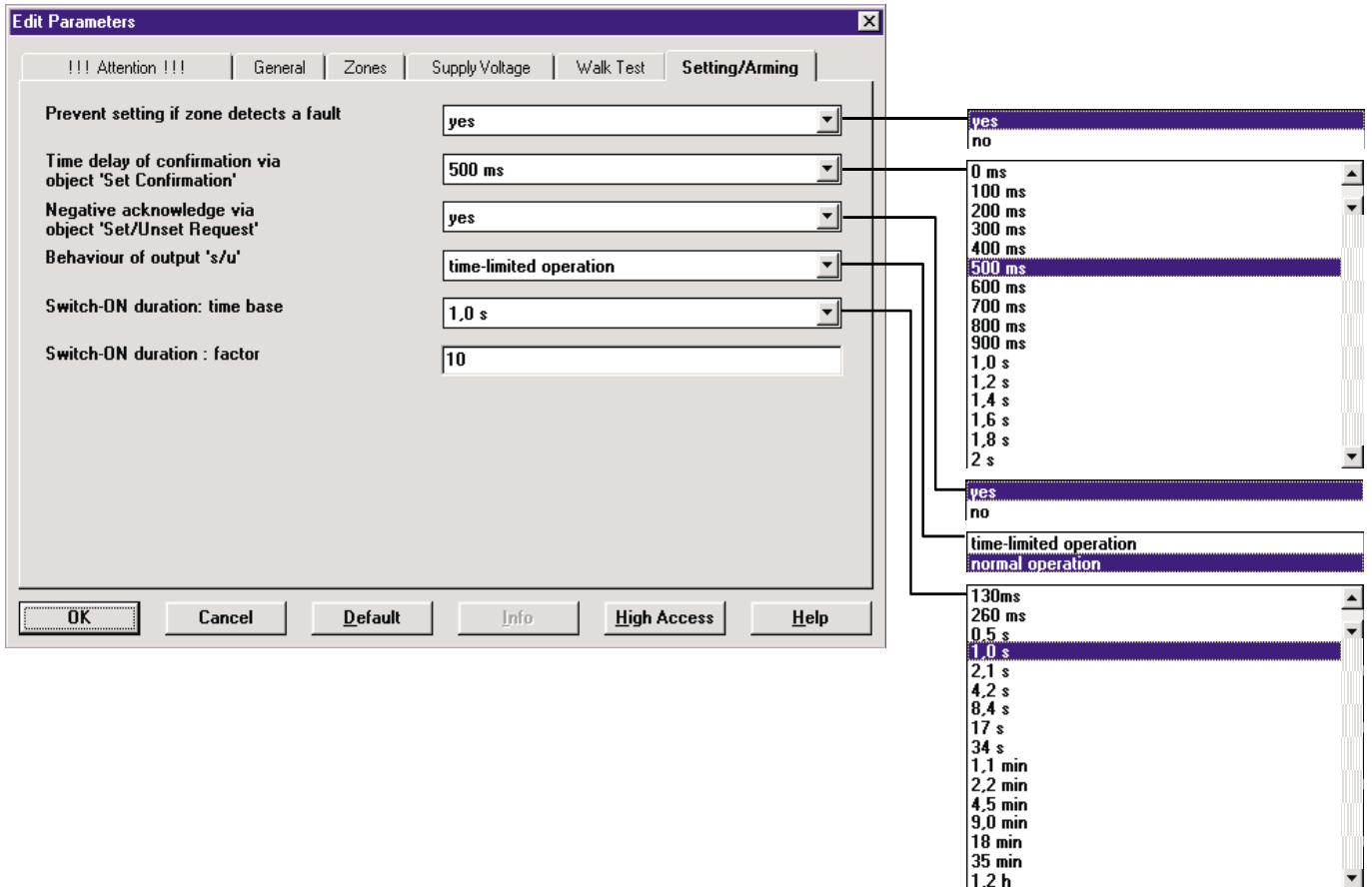
In the operating mode "normal operation", the 'Test' output is switched on or off via the "Walk Test" communication object.

If the operating mode "time-limited operation" is selected, the output is switched off after a set interval. This maximum operating time is calculated as follows:

$$\text{Operating time} = \text{Base} \times \text{Factor}$$

**4.6 Parameter window:
Setting/Arming**

The settings for behaviour on setting/unsetting the device as well as the settings for the "s/u" output are carried out in this parameter window.



Prevent setting if zone detects a fault

If a zone or the supply voltage has a fault or the "Alarm" communication objects displays an alarm, it is normally not possible to set the device. Using this parameter, it is however possible to specify that the device can be set in spite of an active signal, fault or alarm (parameter value "no").

Note: You should only modify this parameter in conjunction with an intruder alarm control unit or a central alarm logic which controls the arming of the device. If an attempt is made to set the zone terminal when an active zone is triggered, an alarm will immediately be issued.

Negative acknowledge via object "Set/Unset Request"

If it not possible to set the zone terminal, one device will normally respond to the request with the value "0" and thus reset other devices to the "unset" mode.

This negative acknowledgement can be prevented by selecting the parameter value "no".

Time delay of confirmation

Using this parameter, it is possible to set a delay between the setting of the device and the confirmation that the device is set via the communication object "Set Confirmation" and the output 's/u'.

Normal operation and time-limited operation

During normal operation, the voltage at the 's/u' output in set mode is 12 V; when the device is deactivated the voltage at the output is 0 V (high-resistance).

If the operating mode "time-limited operation" is selected, the output is switched off after a set interval. This maximum operating time is calculated as follows:

Operating time = Base x Factor.

4.7 Behaviour on bus voltage failure and recovery

During a bus voltage failure, all the outputs and zone inputs are switched off (0 V).

After bus voltage recovery, the device waits for an adjustable initialisation period. During this interval, no telegrams are sent on the bus and the status of the outputs remains unchanged. Any received telegrams are detected approx. 5 seconds after bus voltage recovery.

Provided that the relevant settings have been made in the parameters, the device sends the following communication objects on the bus on bus voltage recovery:

- Object 0: Status Zone A
- Object 1: Status Zone B
- Object 3: Alarm
- Object 6: Supply Voltage Fault
- Object 7: Set Confirmation

The set/unset state of the device remains unchanged after bus voltage recovery.

4.8 Behaviour on supply voltage failure and recovery

If the 12 V supply voltage of the device fails, the device sends the value "1" to the communication object "Supply Voltage Fault".

The zones cannot be evaluated without supply voltage and the display of the zones on the bus is thus undefined.

If the device is armed, the communication object "Alarm" is set to "1" and sent provided that the relevant parameter settings have been selected. No alarms are sent when the device is unset.

The fault signal of a zone can only be deleted by a reset when the device is unset. The deletion is possible if the fault has been rectified.

5 Planning and application

5.1 Overview and general recommendations

- For applications with standard security requirements, the MT/U 2.12.1 normally operates on the EIB without any central security logic ("stand-alone operation").
- In installations with increased requirements for functionality and security, it is advisable to operate the MT/U 2.12.1 in connection with an intruder alarm control unit L 208 with an EIB interface.
- A backup supply for the bus voltage in the case of mains failure is recommended.
- The communication object "Set Confirmation" is not generally required in the configurations described. If you however use this object – for example to display the arming of each individual MT/U 2.12.1 – please note that a high telegram load can arise while setting and deactivating the device.

5.2 Stand-alone operation without central security logic

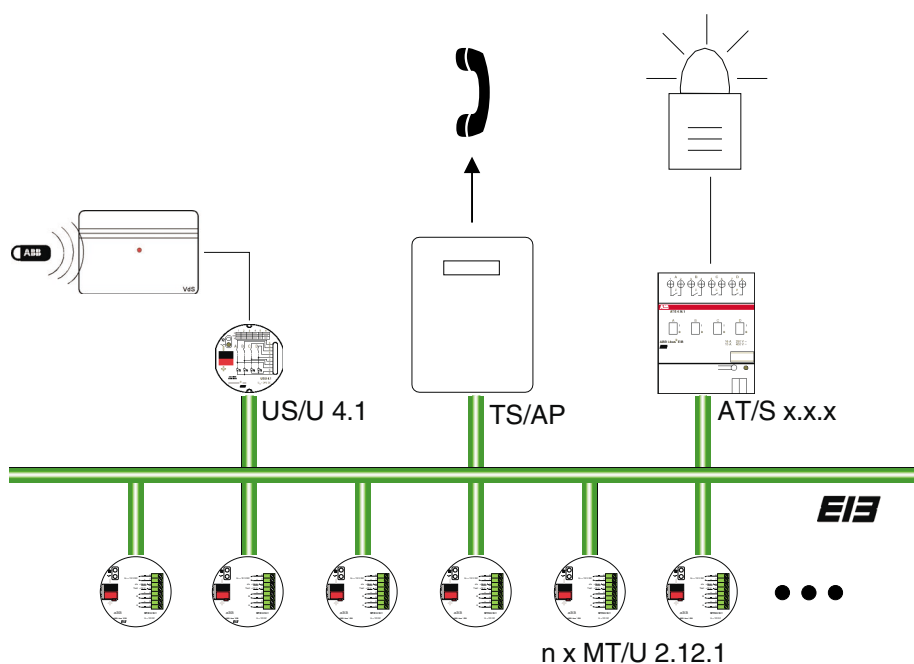
Planning overview

It is possible to operate several zone terminals MT/U 2.12.1 without an intruder alarm control unit. In this configuration, the device makes basic security functions available such as controlling the setting/unsetting of the device, triggering alarms and resetting the system.

Please note the following points:

- It is advisable to provide a backup supply for the EIB bus voltage and the 12 V DC supply voltage in the case of mains failure.
- If the alarm system should distinguish between internal and external set, outdoor and indoor detectors should be connected to different zone terminals.

Zone terminal, 2-fold, FM MT/U 2.12.1, GH Q631 0060 R0111



Application description

The following section describes the procedure for creating a linked alarm system from several MT/U 2.12.1 devices.

Link the communication objects

- "Set/Unset Request"
- "Alarm"
- "Reset"

with the same group address each. You can thus ensure that basic security functions for setting the device, issuing alarms and resetting the system are carried out together.

The parameters of the MT/U 2.12.1 can remain in the default setting.

A minimum requirement for operating the alarm system - apart from the arming device – is a push button with a "reset" function. An option for setting the device internally can also be provided for example.

If the user stays inside the building, a so-called "internal set" only activates the detectors for outdoor surveillance. Since the zone terminal does not distinguish between the different ways of setting the device, only the devices which are connected to the outdoor detectors are setted in this case.

When the system is set externally, it is important to disable the internal arming device or to prevent unintentional operation.

The alarm can be issued for example via an EIB switch actuator with a siren and/or flashing light. These external devices that are outside the security area can also be monitored for tampering via an individual zone.

Important: An external siren should only issue timed alarms (typically: 120 seconds).

Zone terminal, 2-fold, FM MT/U 2.12.1, GH Q631 0060 R0111

5.3 Operation in connection with the intruder alarm control unit L208

The interaction between the MT/U and the intruder alarm control unit L208 with EIB interface L208/EIB (application program "Alarm Panel Interface/1") is described here.

Planning overview

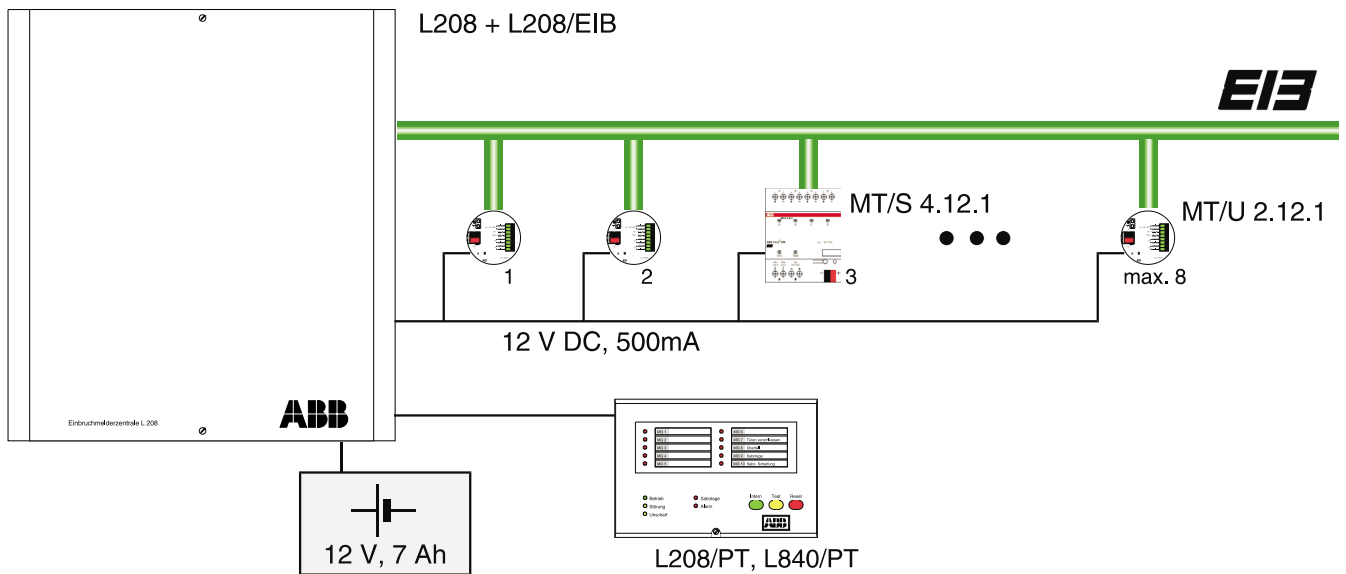
The intruder alarm control unit L208 with EIB interface L208/EIB can be extended by EIB detectors. It is also possible to link professional security functions with the ease of operation of EIB.

Since the L208 takes over the central control of the security functions in this configuration, the highest level of functionality and reliability is achieved.

Detectors can be connected to zones 1 to 8 of the control unit both conventionally and via the EIB. It is possible to carry up to four EIB signals logically to one zone of the control unit, so that a maximum of 32 EIB zones can be managed. The EIB zones can still be displayed individually on the EIB.

Up to 8 zone terminals can be monitored cyclically for activity. If no cyclical monitoring is required and/or a further monitoring logic is used, it is possible to increase the number of zone terminals.

Note: The L208 requires at least one battery SAK 7 and an operator keypad L208/PT or L840/PT to function. The L208 makes a backup supply of 12 V DC available for the zone terminal via the EIB interface.



Zone terminal, 2-fold, FM MT/U 2.12.1, GH Q631 0060 R0111

Application description

In this configuration, the control unit L208 has taken over the control for arming the device, resetting the system and issuing alarms. The following parameters can therefore be set on the zone terminal:

- Prevent setting if zone detects a fault = "no":
The alarm control unit prevents the device from being set.
- „Negative acknowledge via object "...“ = "no":
A zone terminal cannot cancel the activation of the system. This function is reserved for the alarm control unit.

Assign the zones of the MT/U 2.12.1 to zones 1–8 of the control unit.

Each of the zones 1-8 of the L208 can be triggered by the EIB via max. 4 group addresses. A maximum of 32 EIB zones are therefore possible which corresponds to 16 MT/U 2.12.1 devices.

The EIB interface makes it possible to monitor the activity of the zone terminal cyclically. The communication object "Supply Voltage Fault" is used for this purpose. In this example, it is sent every 9 seconds on the bus:

Zone terminal, 2-fold, FM MT/U 2.12.1, GH Q631 0060 R0111

The object "Supply Voltage Fault" is linked via a group address with an "EIB-Tamper" communication object of the L208/EIB. This is parameterised as follows on the EIB interface:

Within 30 seconds of the monitoring time, the communication object "Supply Voltage Fault" of the zone terminal would have to be sent at least 3 times on the bus ($9 \times 3 = 27$). If it is missing during this period or sends the value "1", a tamper alarm is triggered on the control unit.

Caution: The L208/EIB has 8 "EIB-Tamper" communication objects and can therefore monitor the activity of max. 8 devices cyclically. Further zone terminals can display a supply voltage fault by linking the communication object "Supply Voltage Fault" with an "EIB Tamper" object without the cyclical sending function.

Note: Cyclical monitoring of activity can lead to a high telegram load on the bus. Please take this into consideration when setting the cyclic interval and monitoring period.

6 Appendix

6.1 Ordering information

Description	Ordering info.	Order no.	bbn	Unit weight in kg	Pack units
	Short description		40 16779 EAN		
Zone terminal FM	MT/U 2.12.1	GH Q631 0060R0111	51380 7	0.05	1



ABB STOTZ-KONTAKT GmbH

P.O.Box 10 16 80, D-69006 Heidelberg
Eppelheimer Straße 82, D-69123 Heidelberg
Phone (0 62 21) 7 01-534
Fax (0 62 21) 7 01-724
www.abb.de/stotz-kontakt

Technical Hotline:
Phone (0 62 21) 7 01-434
E-mail: EIB-Hotline@de.abb.com