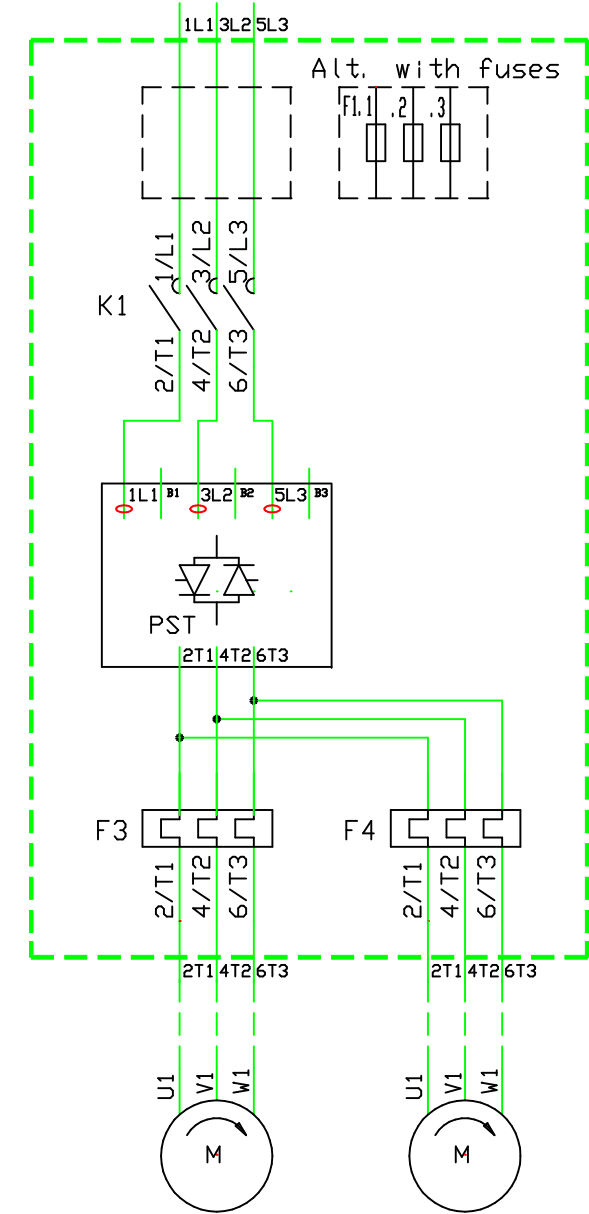
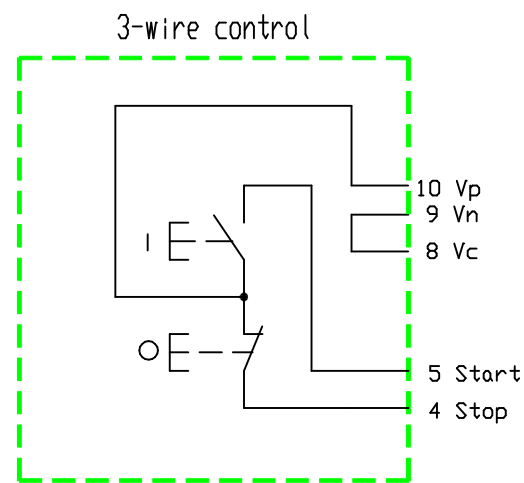
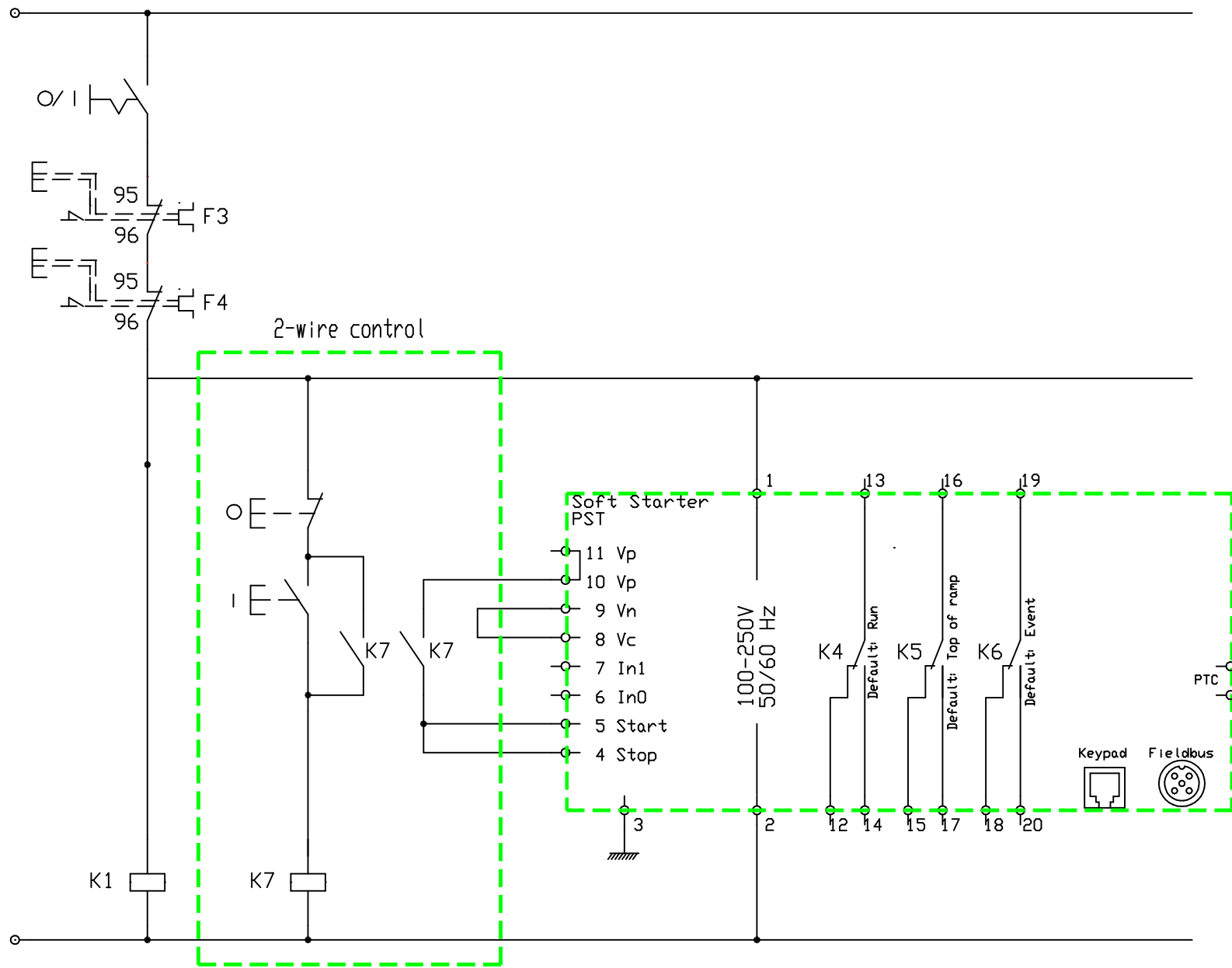


PST30...300

In Line with main contactor for start of 2 motors in parallel



We reserve all rights in this document and in the information contained therein. Reproduction, use or disclosure to third parties without express authority is strictly forbidden. © ABB Control

Prepared T Persson	Responsible department ATCL/ME	Title Application diagram	Lang. 82
Approved T Persson	Take over department	Cont. -	
Revision	Scale	Document No. 1SFB536005G1009	Sheet 1
ABB Control		ISSUED 031008	

Rev ind	Revision	Appd	Year	Week