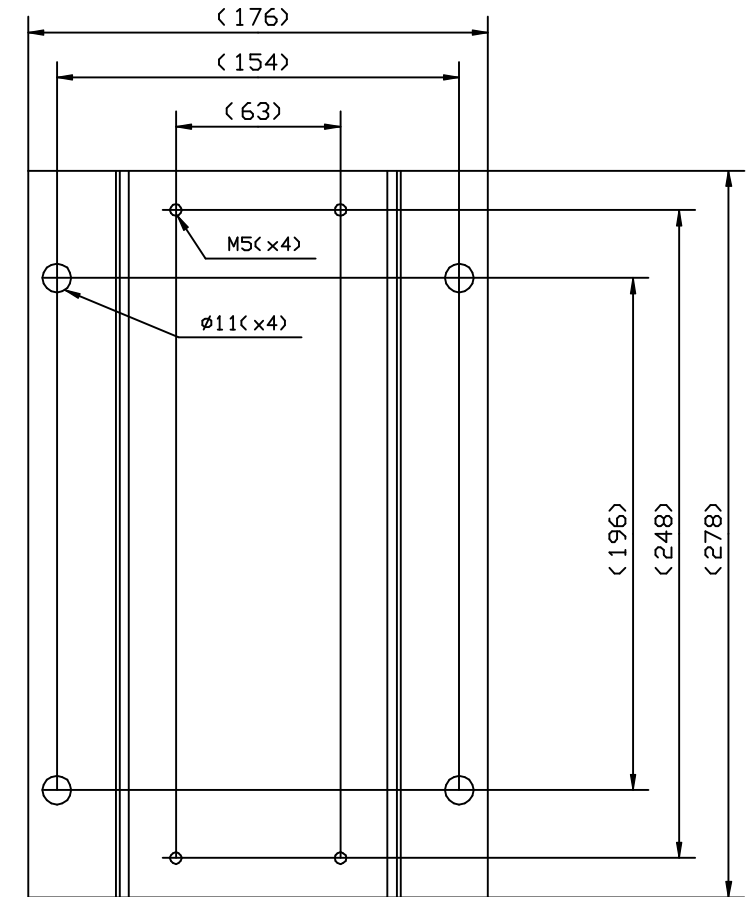
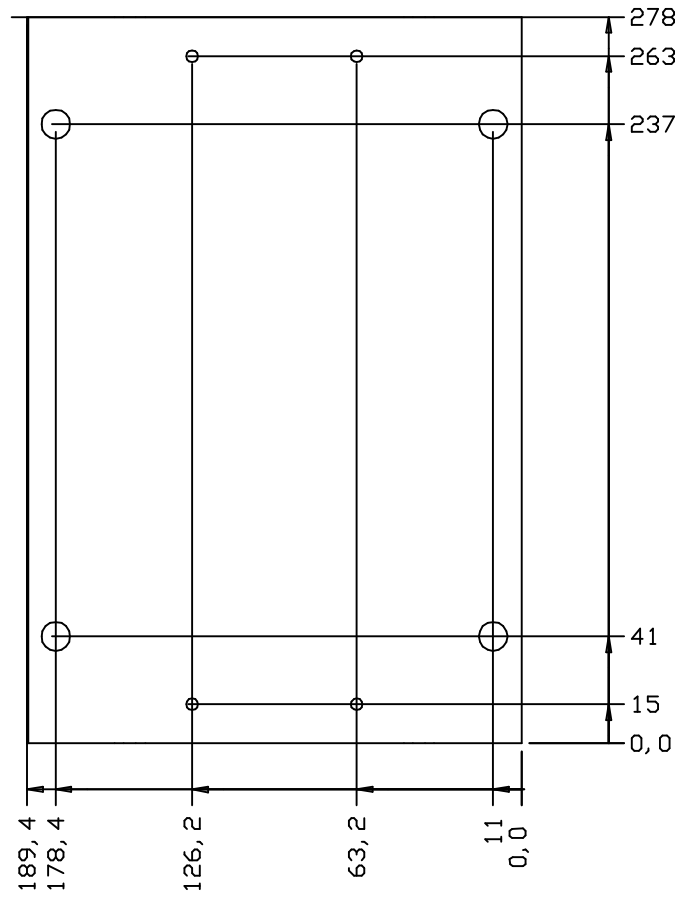
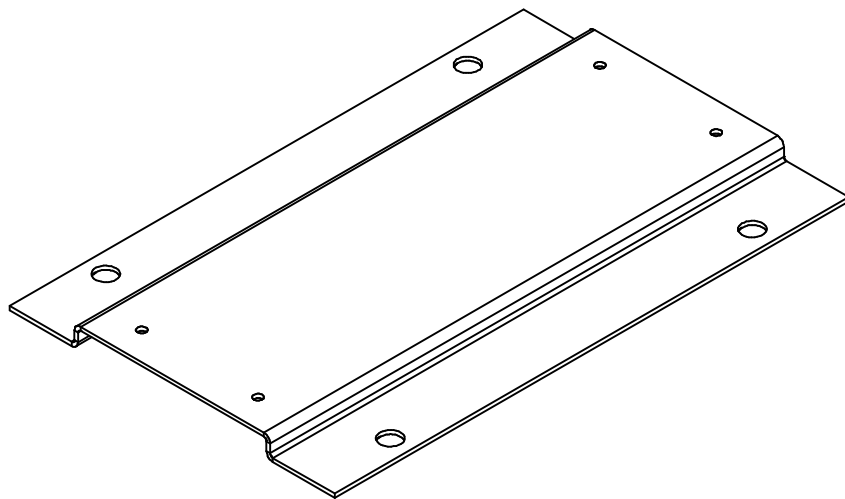


Utbredd



Inside bending radius 1,5
 Invändig bockningsradie 1,5

General tolerances ISO 2768-m
 Generella toleranser ISO 2768-m
 278x189,4



We reserve all rights in this document and in the information contained therein. Reproduction, use or disclosure to third parties without express authority is strictly forbidden. © ABB Control

	1SFB 8-844	2 1151-90	T=2;	Sheet of steel Plåt av stål		
Quantity	Item No.	Article No.	Material, type, etc	Dimensions	Name of item	Note
Prepared	M Ytterberg		Responsible department	SECR/LUK		Title
Approved	K Herold		Take over department	001009		Adapterplåt
Revision	1		Scale	1:2		Document No.
1 Typbet. var PR 400-2			MY	01	14	2161 566-16
Rev ind	Revision	Appd	Year	Week	ABB ABB Control	
						Lang
						82
						Cont
						-
						Sheet
						1

1	Typbet. var PR 400-2	MY	01	14
Rev ind	Revision	Appd	Year	Week



ISSUED