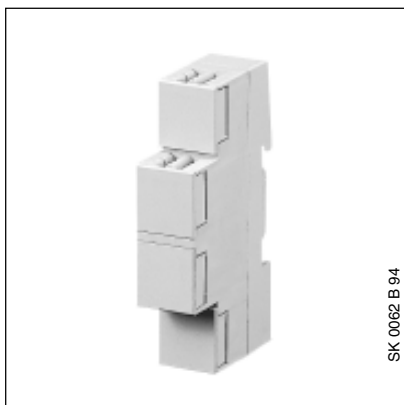


3



The connector is used to link the bus cable to the data rail. At the same time it enables several data rails to be connected within a distribution board.

As it makes contact with all four of the printed conductors on the data rail, it can be used together with the second output voltage of the power supply unit and a separate choke to supply a second line.

Both connection to the bus cable and connection of the cable to the power supply for bus terminals can be carried out using two plugs.

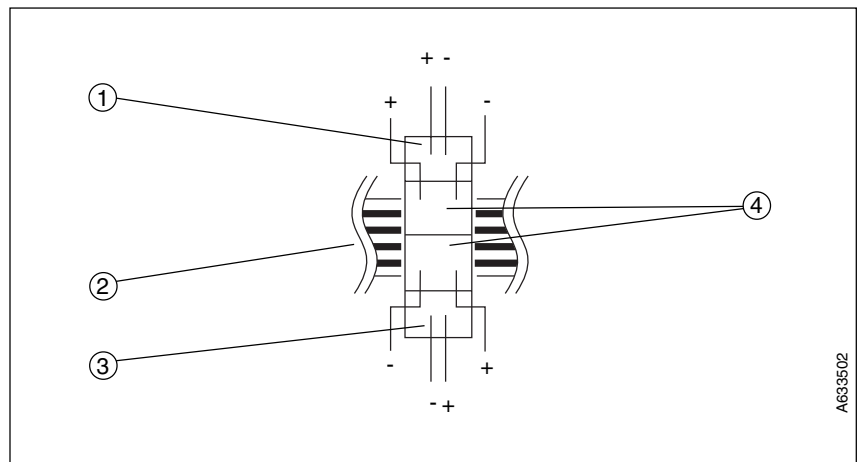
Its small-scale design means it can be placed under the distribution board cover.

3

Technical Data

Connections	- EIB	Pressure contacts on the data rail and 2 plugs for bus terminals
	- Power supply	Pressure contacts on the data rail and 2 plugs for bus terminals
Type of protection	- IP 20, EN 60 529	
Ambient temperature range	- Operation	- 5 °C ... 45 °C
	- Storage	-25 °C ... 55 °C
	- Transport	-25 °C ... 70 °C
Design	- modular installation device, proM	
Housing, colour	- Plastic housing, grey	
Mounting	- on 35 mm mounting rail, DIN EN 50022	
Dimensions	- 90 x 18 x 43 mm (H x W x D)	
Mounting depth/width	- 68 mm / 1 module at 18 mm	
Weight	- 0.04 kg	
Certification	- EIB-certified	
CE norm	- in accordance with the EMC guideline and the low voltage guideline	

Wiring diagram



- 1 Connection for power supply
- 2 Data rail
- 3 Connection for power supply

- 4 Connections for bus line

Note

Note the colour of the bus cable and the terminals during the installation.