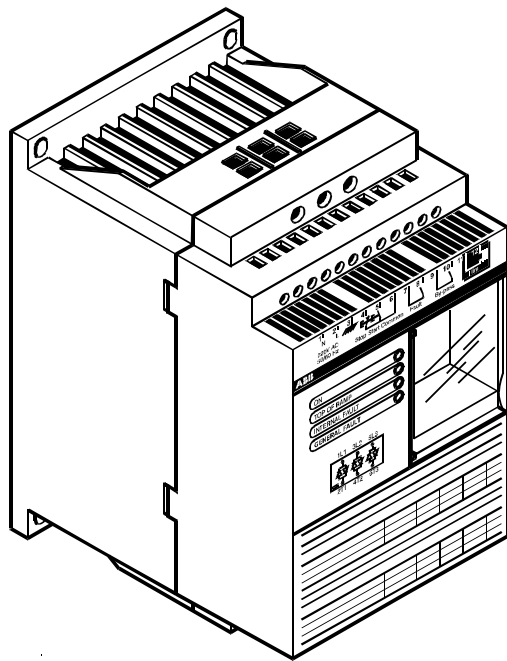


Softstart

Circuit and Application Diagram PS S18 - 300

5309 715-1 Dec-01



The ABB logo, consisting of the letters 'ABB' in a bold, stylized, sans-serif font. The letters are black and have a distinctive design where the 'A' and 'B' are connected at the top and bottom.

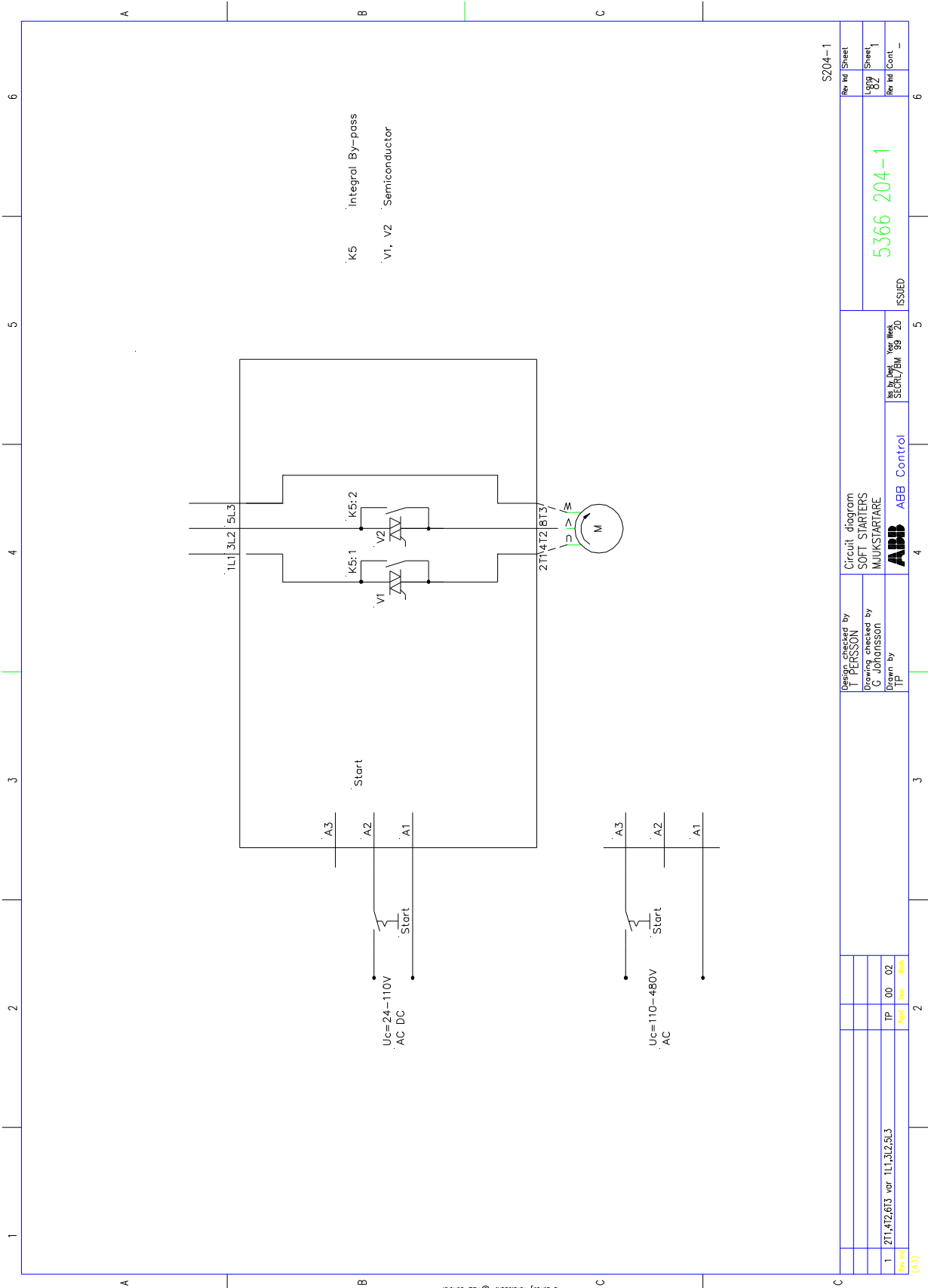
STANDARD DIAGRAM

Page

5366 204-1	PS S03...25	Standard	3
5366 204-2	PS S18...300	Standard	4

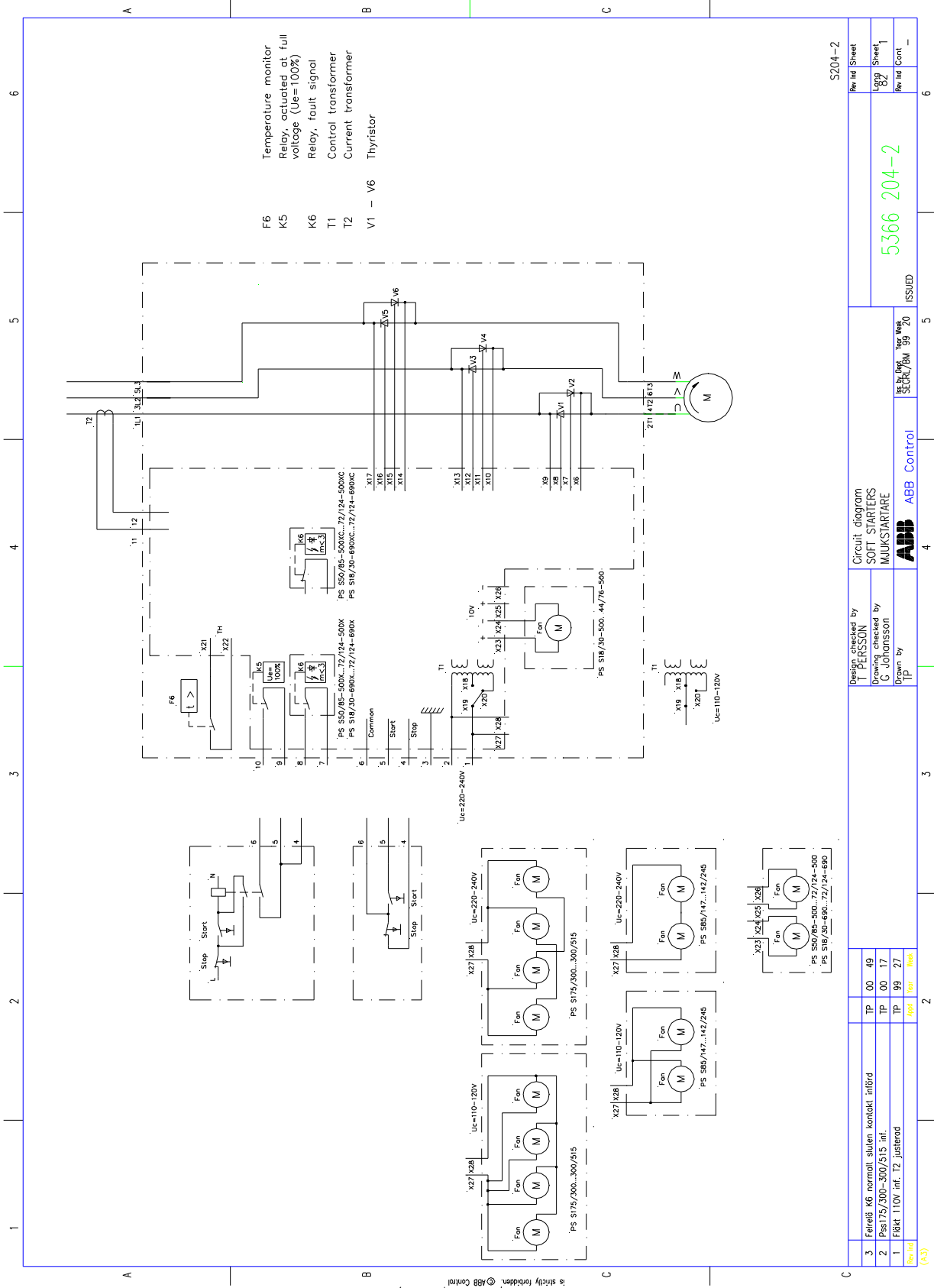
APPLICATION DIAGRAM

5366 205-1	PS S03...25	In line, motor protection and soft stop	5
5366 205-2	PS S03...25	In line, motor protection and no soft stop	6
5366 205-3	PS S18...300	In line, motor protection and soft stop	7
5366 205-4	PS S18...300	In line, motor protection and soft stop	8
5366 205-5	PS S18...300	Inside delta, motor protection and soft stop	9
5366 205-6	PS S18...300	Inside delta, motor protection and soft stop	10
5366 205-7	PS S18...300	In line, by-pass, motor protection and soft stop	11
5366 205-9	PS S18...300	In line, by-pass, motor protection and soft stop	12
5366 205-11	PS S18...300	Inside delta, by-pass, motor protection and soft stop	13
5366 205-13	PS S18...300	Inside delta, by-pass, motor protection and soft stop	14



We reserve all rights in this document and in the information contained therein. Reproduction, use or disclosure to third parties without express authority is strictly forbidden. © ABB Control

SZ04-1		Rev. no.	Sheet
1		5366	204-1
1		2T1, 4T2, 8T3 ver. 1L1, 3L2, 5L3	ISSUED
Design checked by I. PERSSON		Circuit diagram SOFT STARTERS MUKKSTARTARE	
Drawing checked by G. Johansson		ABB ABB Control	
Drawn by J. P. M.		Rev. no. Year Week 5366/BM 99 20	
Rev. no.		Rev. no. Cont.	
(A3)		-	



S204-2

Rev. no.	Sheet
1999	82
Rev. no.	Cont.
	—

5366 204-2

ISSUED

Design checked by
T PERSSON
SOFT STARTERS
M/LUK/STARTARE
Drawing checked by
G Johansson
Drawn by
ABB ABB Control

SECUR/BM 99 20

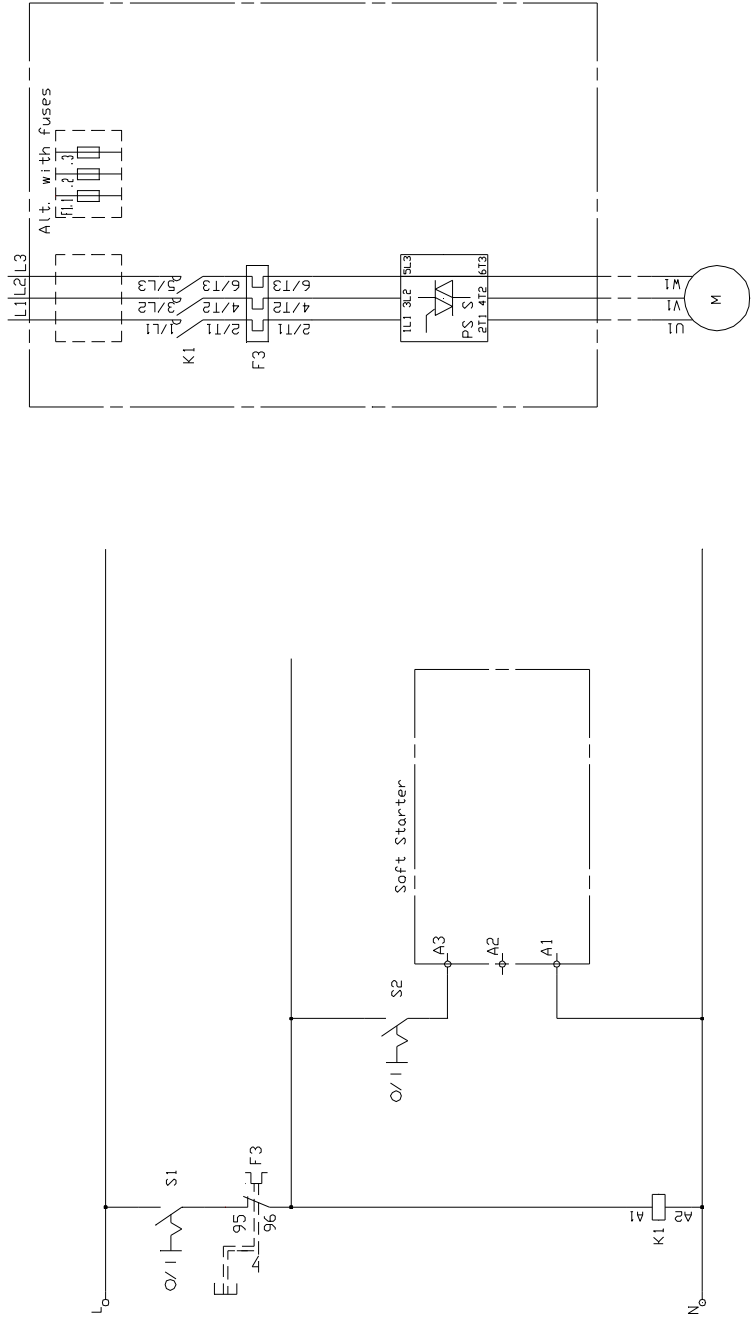
Rev. no.	TP	00	49
	TP	00	17
	TP	99	27
	Appd.	Verf.	Revsk.

3 Felrikt K6 normalt sluten kontakt införd
2 Psi175/300-300/515 inf.
1 FBRK 110V inf. T2 justerad

We reserve all rights in this document and in the information contained therein. Reproduction, use or distribution is strictly forbidden. © ABB Control

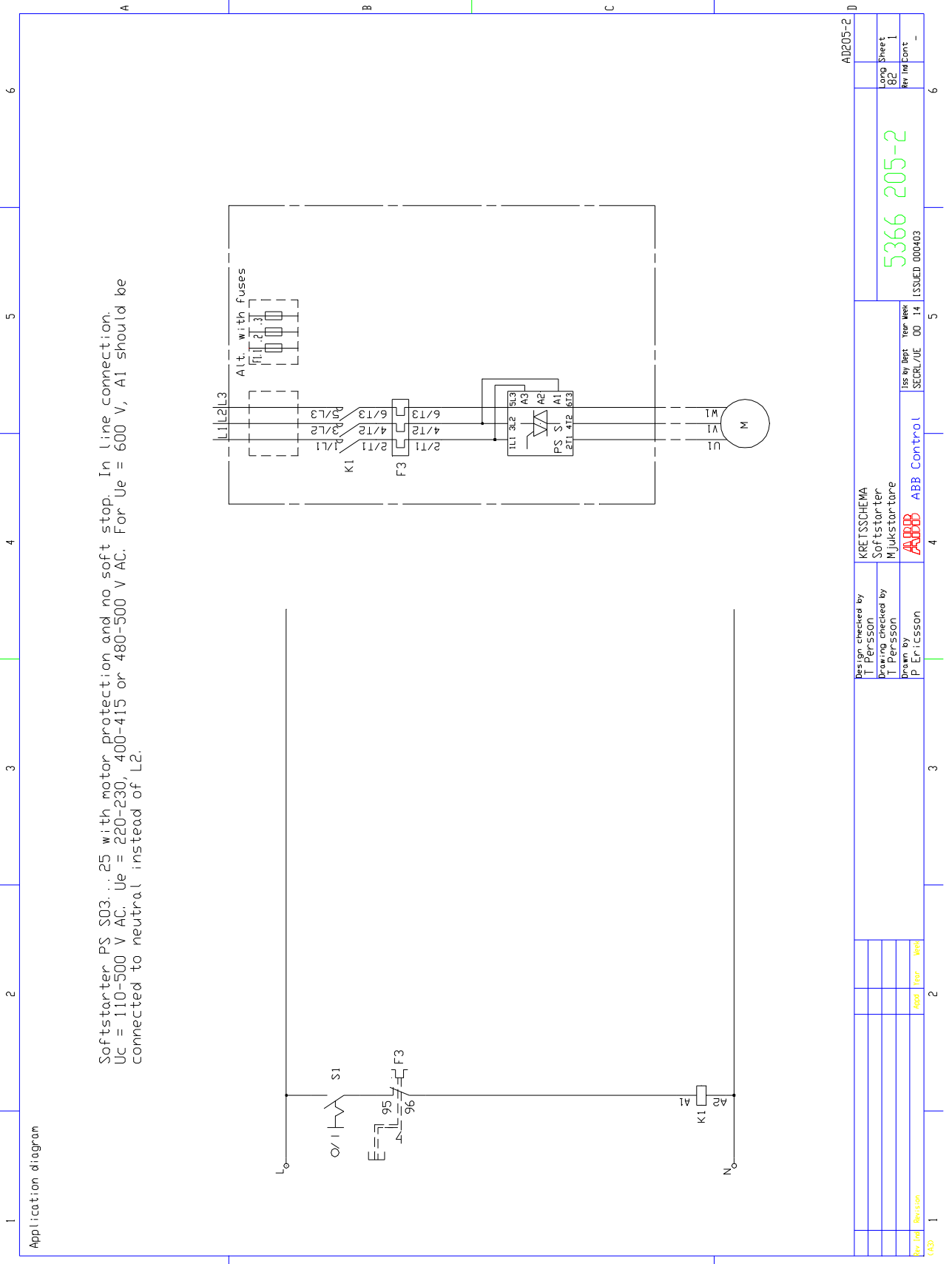
Application diagram

Softstarter PS S03...25 with motor protection and soft stop. In line connection.
 Uc = 110-500 V AC. For Uc = 24-110 V AC/DC, connect S2 to A2 instead of A3 at the softstarter.



Be reserved all rights in this document and the information contained therein. Reproduction, use or distribution in any form is prohibited without the express written consent of the copyright holder.

AD205-1		5366 205-1		AD205-1	
Design checked by	KREISSCHEMA	Iss by Dept	Year	Week	
Drawing checked by	Softstarter	SECR/LUE	00	14	ISSUED 000403
Drawn by	Mjukstare	ABB	ABB	ABB	ABB
Rev	Ind	Revision	Appr	Year	Week
1					
Long Sheet	82	1			
Rev. IndCont					



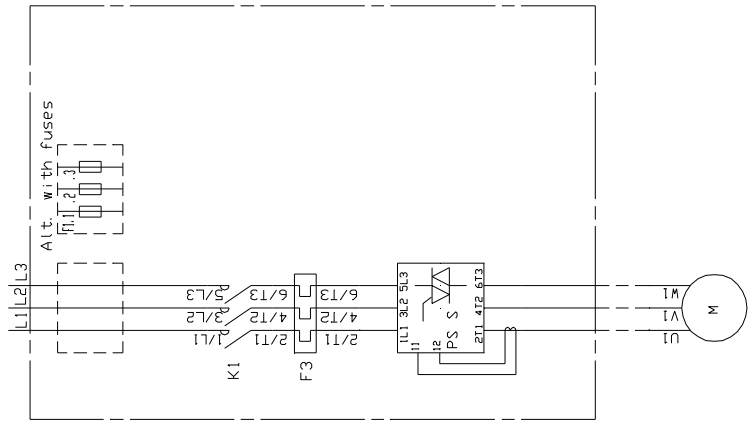
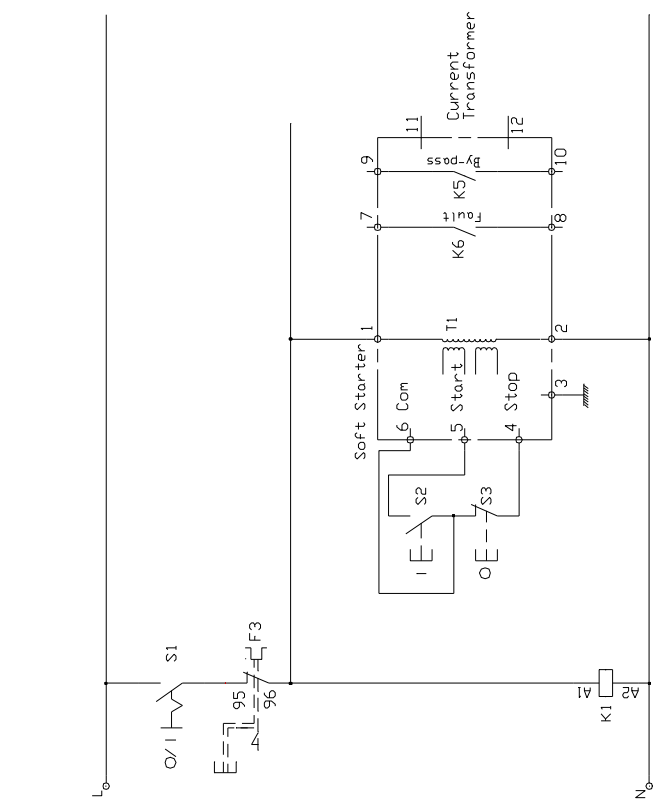
Rev No	1	2	3	4	5	6
App						
Year						
Week						
Design checked by KREISSCHEMA T Persson Drawing checked by T Persson Mjukstartare Drawn by P Ericsson ABB ABB ABB ABB ABB ABB ABB ABB ABB Control						
Iss By Dept SECRL/UE Year Week 00 14 5366 205-2 5366 205-2 82 1 Long Sheet Rev No Cont. -						
AD205-2						

We reserve all rights in this document and its disclosure to third parties without express authority.
 It is strictly forbidden to reproduce, copy, or disseminate this document in any form or by any means without express authority.

1 2 3 4 5 6

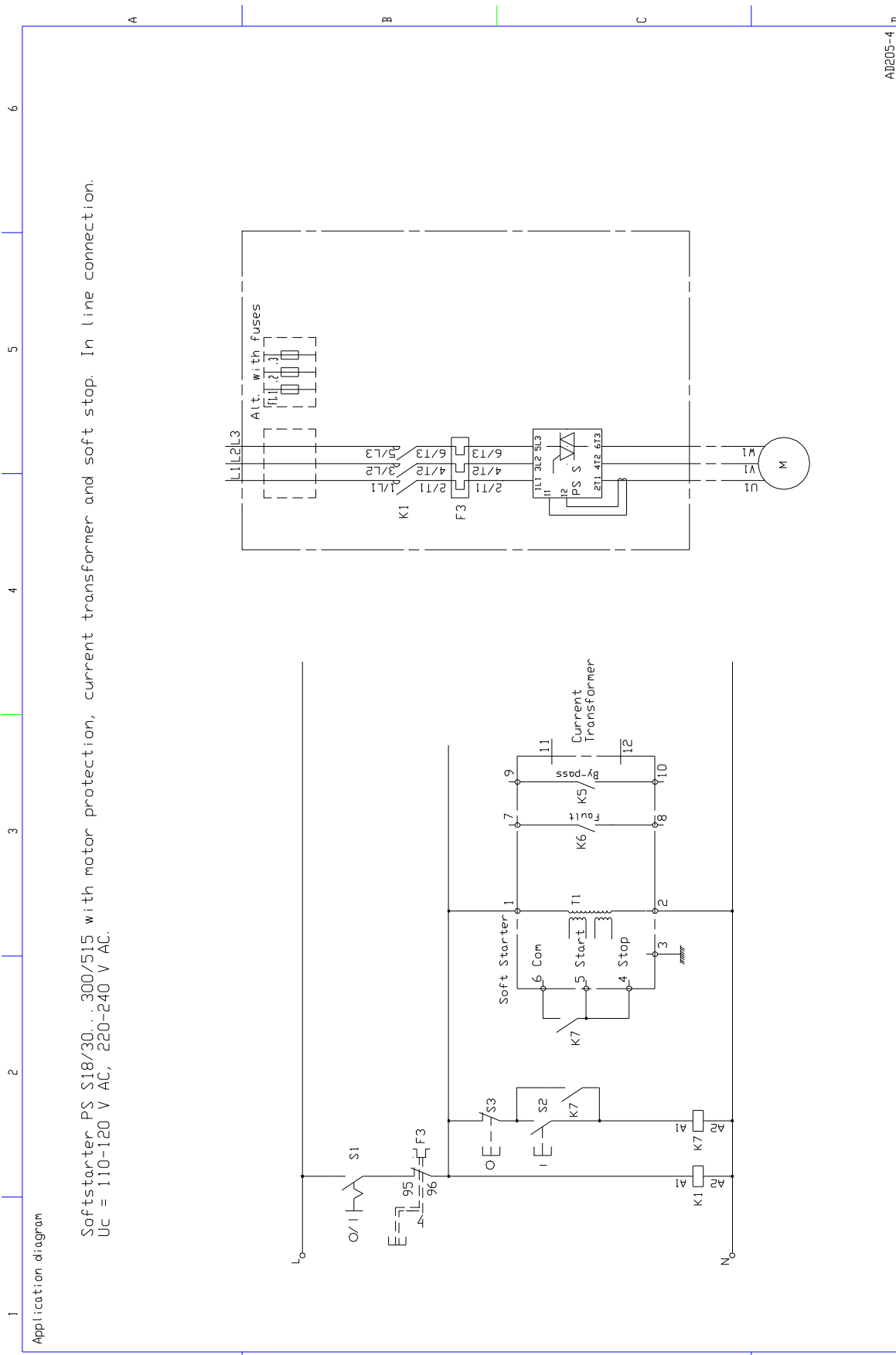
Application diagram

Softstarter PS S18/30...300/515 with motor protection, current transformer and soft stop. In line connection.
 Uc = 110-120 V AC, 220-240 V AC.



Be reserve all rights in this document and in the information contained therein. Reproduction, use or disclosure in third parties without express authority is strictly prohibited. ©ABB Control

Rev. No.		Revision		Appr.		Year		Week	
1		1		2		2		2	
Design checked by		T. Persson		KRETSSCHEMA		Softstarter		Mjukstartare	
Drawing checked by		T. Persson		ABB		ABB Control		5366 205-3	
Drawn by		P. Ericsson		ISSUED		000403		-	
Issued by		SECRI/UE		00		14		-	
Year		Week		Long		Sheet		Rev	
2005		03		82		1		1	
2005		03		82		1		1	

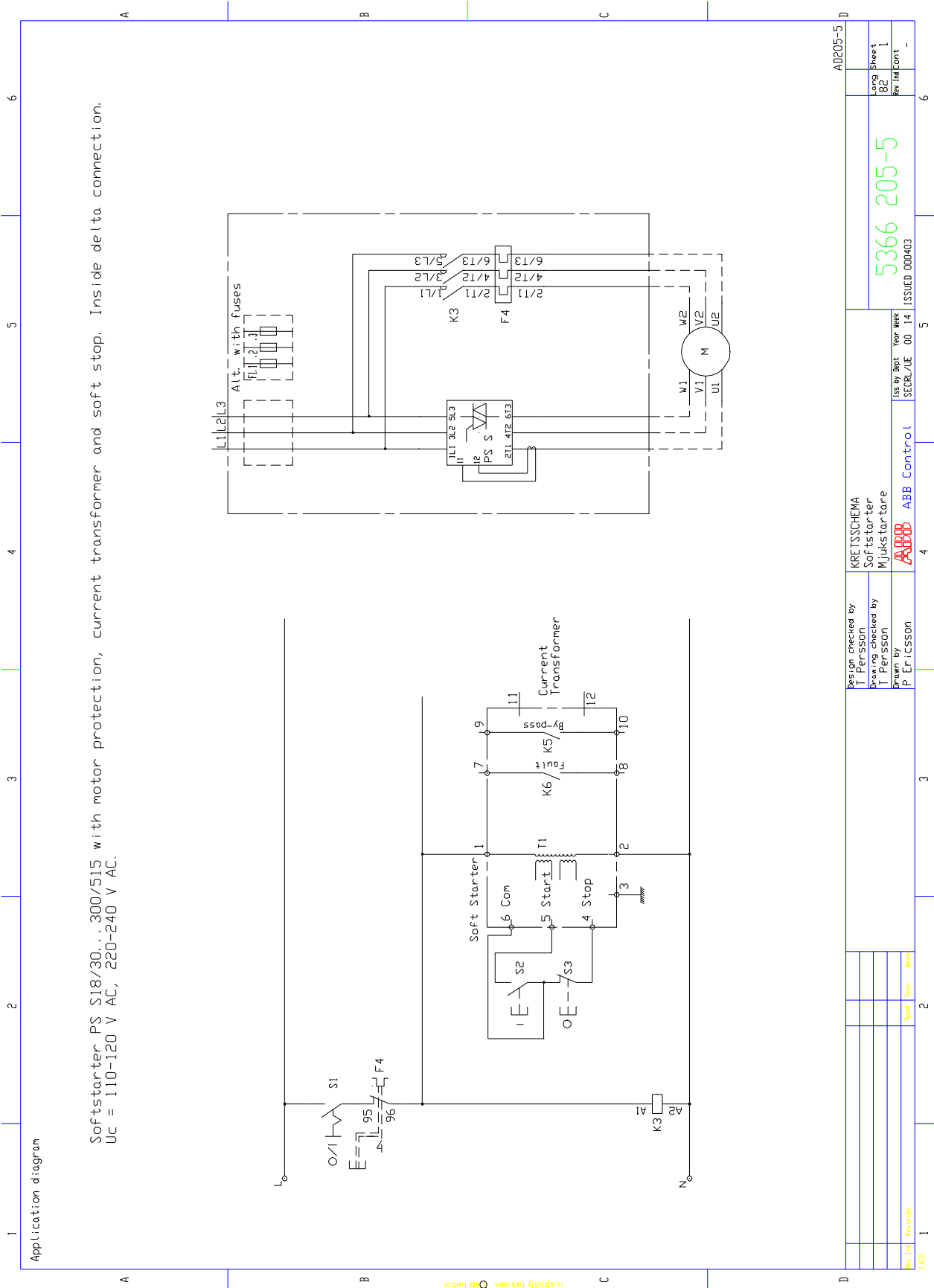


Application diagram

Softstarter PS S18/30...300/515 with motor protection, current transformer and soft stop. In line connection.
 Uc = 110-120 V AC, 220-240 V AC.

A1205-4		5366 205-4		Long Sheet 82	
KRETSSCHEMA Softstarter Mjukstartare		ABB Control		Rev. No. Cont. -	
Design checked by T. PERSSON		Iss. by Dept. SEPR/UE 00 14		Year Week 00 14	
Drawing checked by T. PERSSON		ABB		ISSUED 000403	
Drawn by P. ERICSSON		ABB		-	

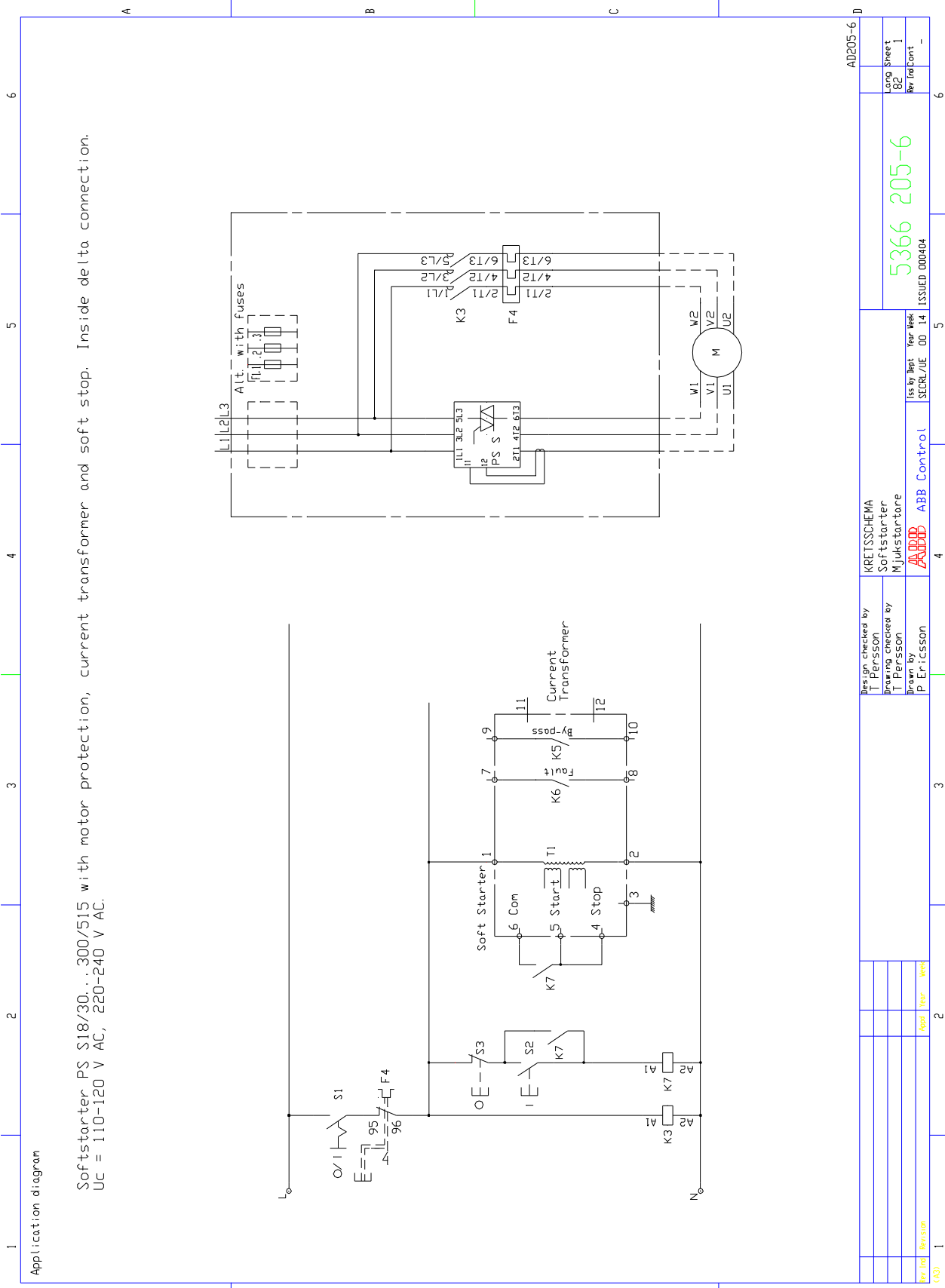
We reserve all rights in this document and in the information contained therein. Reproduction, use or disclosure to third parties without express authority is strictly forbidden. All Control



Application diagram
Softstarter PS S18/30...300/515 with motor protection, current transformer and soft stop. Inside delta connection.
Uc = 110-120 V AC, 220-240 V AC.

Rev. No.		Revision		Appd. / Year		Week	
1		1					
Design checked by T. PERSSON				KRETTSCHEMA			
Drawing checked by T. PERSSON				Softstarter			
Drawn by P. ERICSSON				ABB ABB Control			
Iss. by Dept. SECUR/IE 00 14				ISSUED 000403			
Year				Week			
00				14			
5366 205-5				5			
82				1			
Long Sheet				-			
Rev. No.				-			

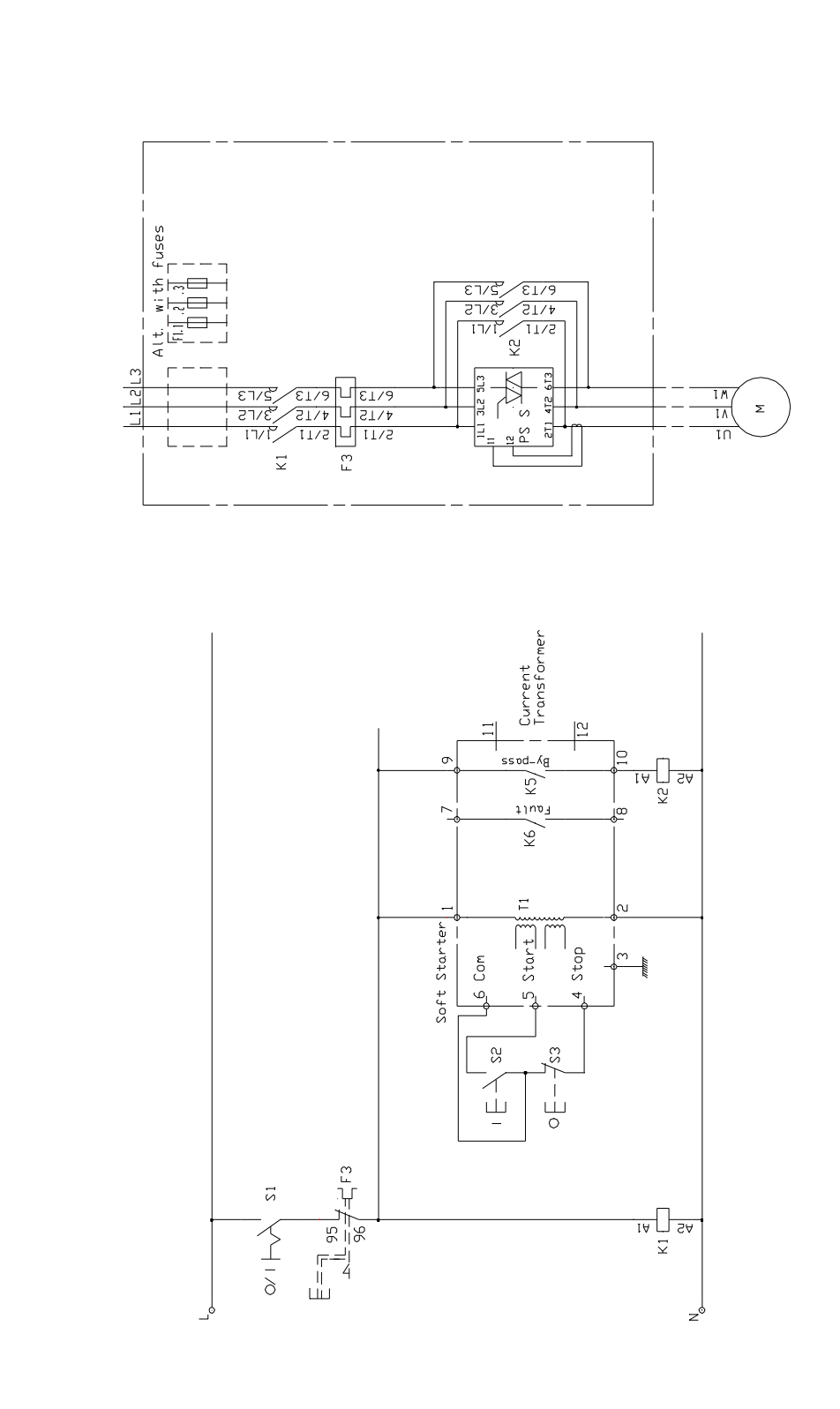
Reserve all rights in this document in the information contained herein. Reproduction, use or disclosure to third parties without express authority is strictly forbidden. OABB Control



We reserve all rights in this document and in the information contained therein. Reproduction, use or distribution without written express authority is strictly forbidden.

1 2 3 4 5 6

Application diagram
 Softstarter PS S18/30...300/515 with motor protection, current transformer, by-pass and soft stop. In line connection.
 Uc = 110-120 V AC, 220-240 V AC.



Alt. with fuses
 F1, 2, 3

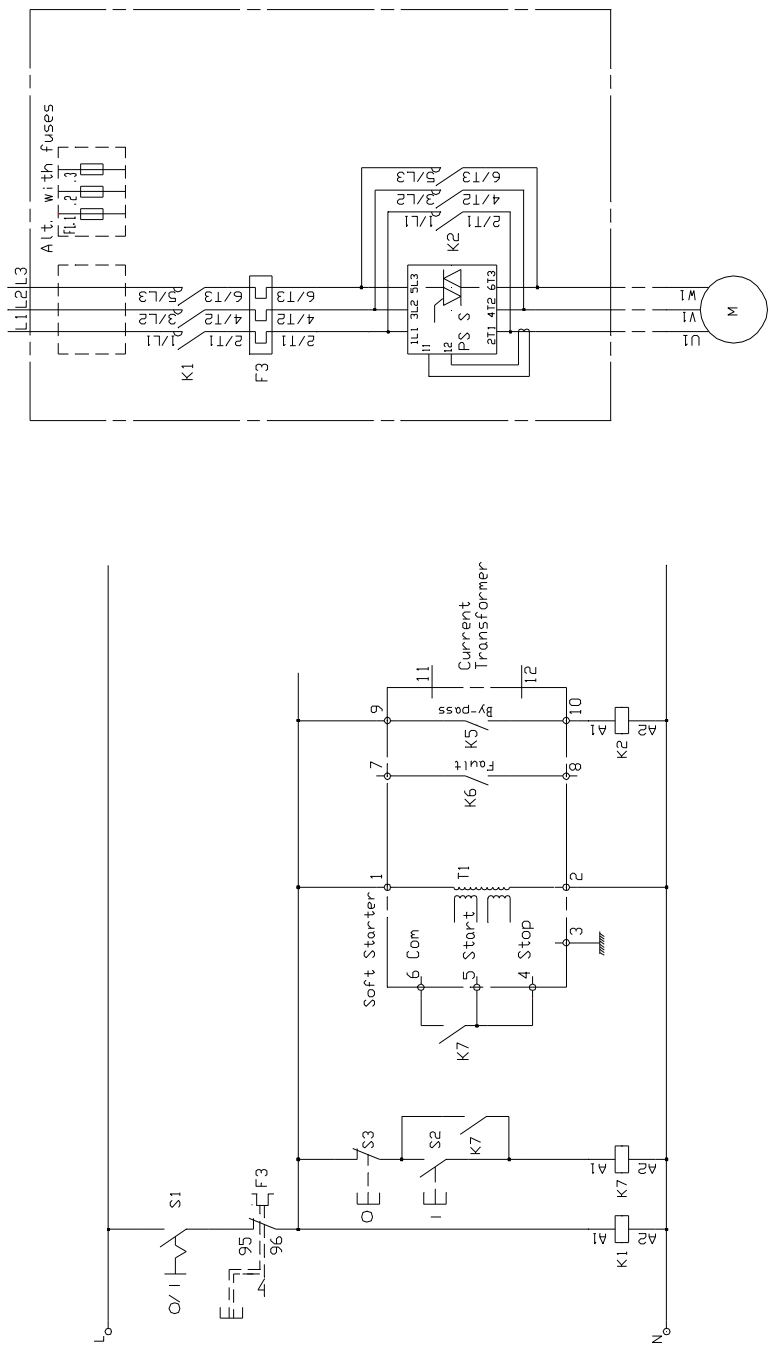
Design checked by	T. Persson	KRETSCHMANN	ABB	ABB Control	Iss. by Dept	Year	Week	5	6
Drawing checked by	T. Persson	Softstarter	ABB	ABB Control	SECRL/UE	00	14	ISSUED	000404
Drawn by	P. Ericsson	Mjukstartare	ABB	ABB Control	SECRL/UE	00	14	ISSUED	000404
Rev.	1	Revision							
Appr.		Appr.							
Week		Week							
Long Sheet	82	5366 205-7							
Rev Ind Cont.	1								

AIID05-7

We reserve all rights in this document and in the information contained therein. Reproduction, use or disclosure to third parties without express authorisation is strictly forbidden. © ABB Control

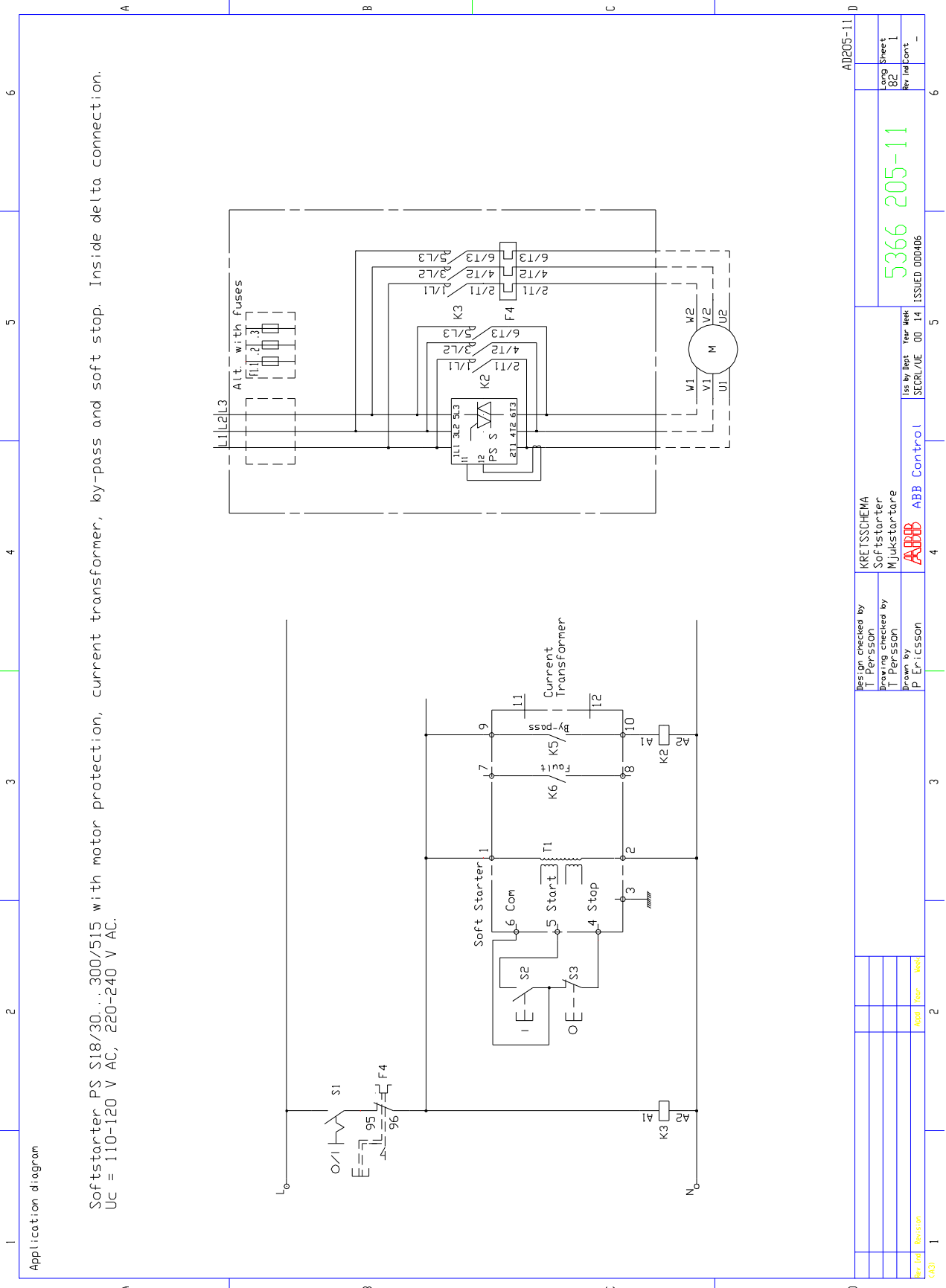
Application diagram

Softstarter PS S18/30...300/515 with motor protection, current transformer, by-pass and soft stop. In line connection.
 $U_c = 110-120 \text{ V AC}$, $220-240 \text{ V AC}$.



AD205-9	5366 205-9	AD205-9
Long Sheet	82	Rev. no. 1
Iss. by	ABB	ABB Control
Year	00	14
Week	00	14
SECRL/UE	00	14
ISSUED	000404	-

We reserve all rights in this document in the
 information contained herein. Reproduction, use or
 disclosure to third parties without express authority
 is strictly forbidden. © ABB Control



Softstarter PS S18/30...300/515 with motor protection, current transformer, by-pass and soft stop. Inside delta connection.
 $U_c = 110-120 \text{ V AC}, 220-240 \text{ V AC}.$

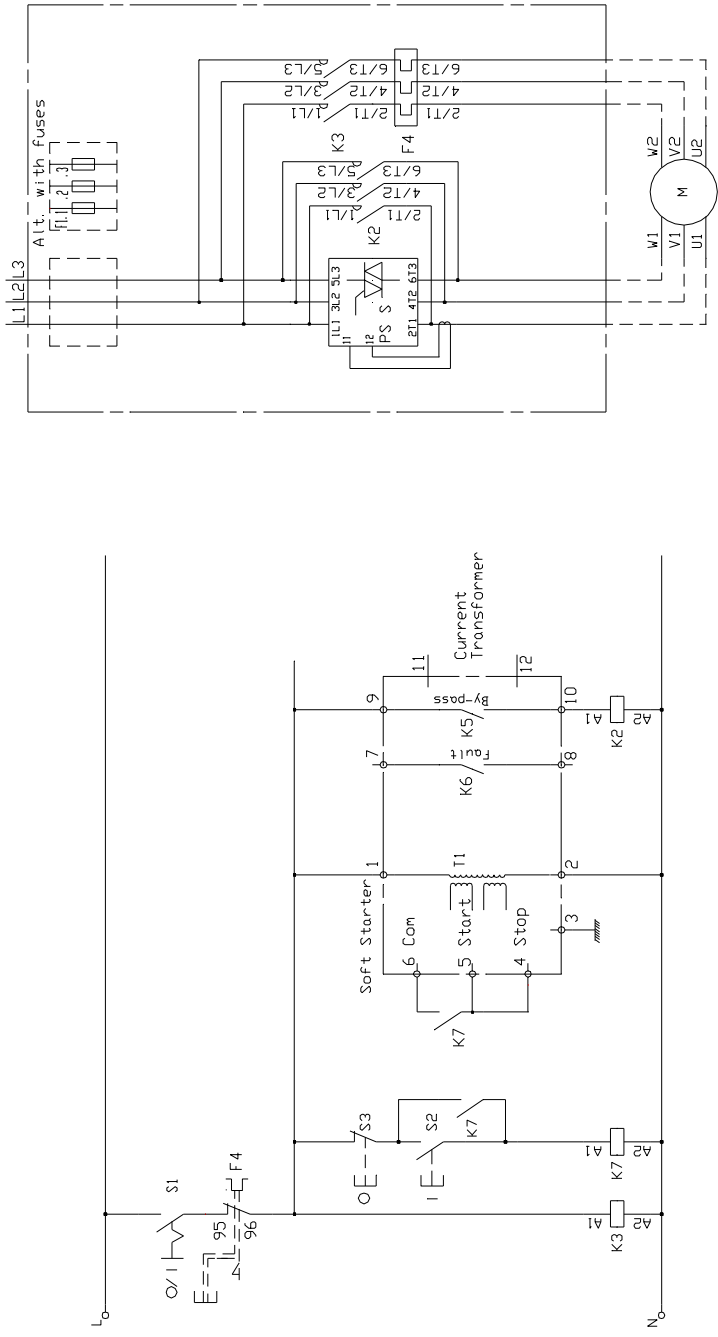
Application diagram

Rev. No.	1	2	3	4	5	6
Revision						
Design checked by	KRETSSCHEMA					
Drawing checked by	Softstarter					
Drawn by	Mjukstartare					
Issued by	ABB ABB Control					
Issued by Dept	SCERL/OE 00 14					
Year	2005					
Week	11					
Sheet	5366 205-11					
Rev. No.	5366 205-11					
Rev. Cont.	ISSUED 000406					

1 2 3 4 5 6

Application diagram

Softstarter PS S18/30...300/515 with motor protection, current transformer, bypass and soft stop. Inside delta connection.
 $U_c = 110-120 \text{ V AC}, 220-240 \text{ V AC}.$



A A

B B

C C

D D

Reserve all rights in this document and the information contained therein. Reproduction, use or disclosure to third parties without express authority is strictly forbidden. © ABB Control

Rev	Ind	Revision	Appr	Ter	Ver	1	2	3	4	5	6
									ABB	ABB Control	ISSUED 000406
Design checked by T. PERSSON						KRETSSCHEMA					
Drawing checked by T. PERSSON						Softstarter					
Drawn by P. ERICSSON						Mjukstortare					
						5366 205-13					
						Long Sheet					
						Rev No Cont					
						82					
						-					

AD205-13



ABB Automation Technology Products AB, Control

S-721 61 Västerås, SWEDEN

Telephone +46 21 32 07 00

TELEFAX +46 21 12 60 01

(Diagram PSS.doc)