

Electro-pneumatic Positioner TZIDC-200

The Member of the Exd / ExP Family



- Flameproof enclosure acc. to FM/CSA, EEx d (ATEX) and intrinsically safe (ATEX)
- Vibration immunity up to 10 g 20...80 Hz
- Autostroke function serves for perfect adaption to valve – fully automatic
- HART-Protocol as standard for full access to smart functions, diagnostics, maintenance and fault detection; also designed for fieldbus communication
- One positioner for linear and rotary actuators

ABB Instrumentation



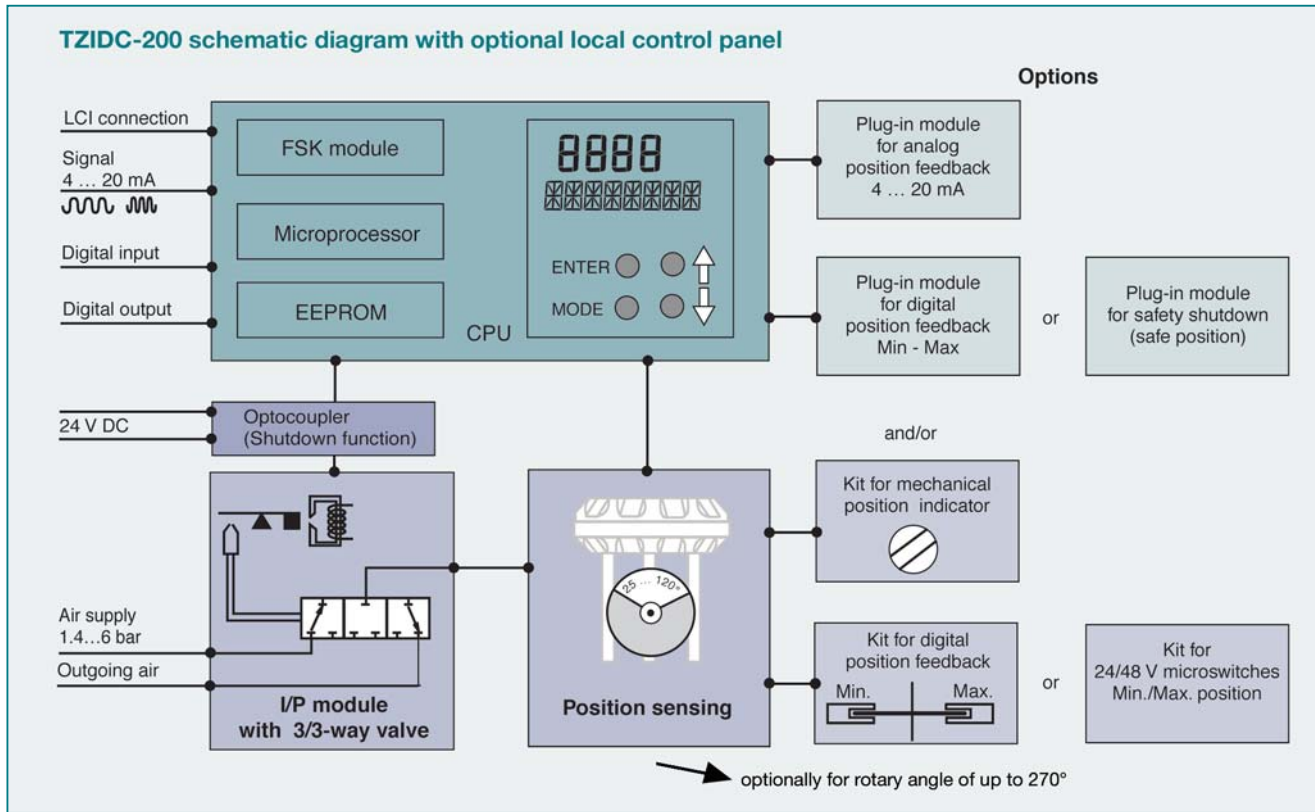
Intelligent Valve Automation: Explosion Proof and Versatile


The robust TZIDC-200 serves for easy installation in hazardous areas for both the explosion proof housing as well as its capability of being adapted to all common valves with either linear or rotary movement. A constantly controlled flapper-nozzle I/P-conversion

principle, an outstanding shock and vibration immunity as well as high air capacity result in very accurate and reliable function and meet highest requirements.

Furthermore TZIDC-200 provides for all benefits digital communication can

offer. From standard HART communication to the advanced FDT/DTM concept for fieldbus solutions. TZIDC-200, a member of a complete family which provides solutions for almost every application.



Technical Data		Options
Input signal ■ 4...20 mA	Control accuracy ■ 0,5%	Ex protection ■ Ex d II C (ATEX) ■ FM/CSA Class 1, Div. 1, Group C-G ■ Ex ib (ATEX)
Stroke range ■ 10...100 mm (3/8...4 inch)	Housing ■ Aluminium IP65 (NEMA 4X)	Plug in modules ■ analog feedback (4...20 mA) ■ digital feedback (min. and max. pos.) ■ slot initiators (min. and max. pos.) ■ 24/48 V-microswitches ■ safety shutdown function
Angle of rotation ■ 25...120° (270° optional)	Ambient temperature ■ -30...+85° C (-22...185 F)	
Supply air ■ 1.4...6 bar (20...90 psi)	Vibration immunity ■ up to 10g 20...80 Hz	
Air capacity ■ 13 kg/h ■ 6.0 scfm	Supply voltage ■ 9.7 V DC	
	Easy Set-up function 	



www.abb.com/instrumentation

Germany

ABB Automation
Products GmbH
Borsigstr. 2
63755 Alzenau
Tel: +49 551 905 534
Fax: +49 551 905 555

UK

ABB Limited
Oldends Lane
Stonehouse
Gloucestershire GL10 3TA
Tel: +44 1453 826 661
Fax: +44 1453 829 671

Italy

ABB S.p.A.
Via Statale 113
22016 Lenno (CO)
Tel: +39 0344 58111
Fax: +39 0344 56278

USA

ABB Inc
Automation Technology
Products
125 E. County Line Rd
Warminster PA 18974-4995
Tel: +1 215 674 6000
Fax: +1 215 674 7183

China

ABB (China) Ltd.
No.27 Industrial Building,
Fu Te Dong San Rd.
Waigaoqiao Free Trade
Zone, 200131
Shanghai
Tel: +86 (0) 21 61056666
Fax: +86 (0) 21 61056992