

Model 261GC/GG/GJ/GM/GN Gauge Model 261AC/AG/AJ/AM/AN Absolute

Series 2600T Pressure Transmitters

Engineered solutions for all applications



With direct mount seal

Base accuracy

- $\pm 0.1\%$

Span limits

- 0.3 ... 60000 kPa; 1.2 in H₂O up to 8700 psi
- 0.3 ... 10000 kPa abs; 2.25 mmHg up to 1450 psia

Reliable sensing system coupled with the latest digital technologies

- provides large turndown ratio up to 20:1

Stainless steel housing

- optimized for harsh environment
- extremely robust

Flexible configuration facilities

- local zero and span button
- local configuration with keys on LCD indicator
- remote configuration with hand terminal or PC user interface

Broad selection of variants, options and fill fluids

- allows total flexibility for hygienic applications or applications at extended temperature range

Full compliance with PED Category III

Model 261GC/GG/GJ/GM/GN Gauge Model 261AC/AG/AJ/AM/AN Absolute

General description

For the transmitters 261G and 261A, process connections with flush diaphragms are available in a variety of designs and dimensions to meet the requirements of a wide range of sectors, including industries such as oil and gas, paper, chemicals, food and pharmaceuticals.

Special filling fluids are available for applications with high temperatures. For hygienic applications or use in the food industry, select filling fluids that are classified by the US Food and Drug Administration (FDA) as safe for use with food.

Functional Specifications

Measuring range limits and span limits

Sensor code	Measuring range upper limit (URL)	Measuring range lower limit (LRL) Model 261GS	Minimum measuring span (sensor limit values)	Overload limits
C	6 kPa 60 mbar 24 inH ₂ O	-6 kPa -60 mbar 24 inH ₂ O	0,3 kPa 3 mbar 1,2 inH ₂ O	1 MPa 10 bar 145 psi
F	40 kPa 400 mbar 160 inH ₂ O	-40 kPa -400 mbar -160 inH ₂ O	2 kPa 20 mbar 8 inH ₂ O	1 MPa 10 bar 145 psi
L	250 kPa 2500 mbar 1000 inH ₂ O	0 abs	12,5 kPa 125 mbar 50 inH ₂ O	0,5 MPa 5 bar 72,5 psi
D	1000 kPa 10 bar 145 psi	0 abs	50 kPa 500 mbar 7,25 psi	2 MPa 20 bar 290 psi
U	3000 kPa 30 bar 435 psi	0 abs	150 kPa 1,5 bar 21,7 psi	6 MPa 60 bar 870 psi
1	4000 kPa 40 bar 580 psi	0 abs	200 kPa 2 bar 29 psi	8 MPa 80 bar 1160 psi
R	10000 kPa 100 bar 1450 psi	0 abs	500 kPa 5 bar 72,5 psi	20 MPa 200 bar 290 psi
V	60000 kPa 600 bar 8700 psi	0 abs	3000 kPa 30 bar 435 psi	90 MPa 900 bar 13050 psi

IMPORTANT (NOTE)

The measuring range lower limit (LRL) for model 261A is 0 absolute for all measuring ranges.

Span limits

Maximum span = measuring range upper limit (URL)

To optimize performance characteristics, it is recommended that you select the transmitter sensor code with the lowest turn down ratio.

TURNDOWN = Upper range limit/set span

Zero suppression and elevation

The zero position and span can be set to any value within the measuring range limits listed in the table if:

— Set span ≥ minimum span

Damping

Configurable time constant between 0 and 60 s.

This is in addition to the sensor response time, and can be adjusted via the optional LCD indicator, handheld terminal, or PC user interface.

Warm-up time

Ready for operation as per specifications in less than 10 s with minimum damping.

Insulation resistance

>100 MΩ at 500 V DC (between terminals and ground).

Model 261GC/GG/GJ/GM/GN Gauge

Model 261AC/AG/AJ/AM/AN Absolute

Operative limits

Pressure limits

The maximum permissible pressure depends on the permissible sensor overload (refer to table "Measuring range limits and span limits") and the permissible working pressure for the process connection according to the order information.

Filling fluids	ID	Pressure in kPa abs.			
		20 °C (68 °F)	100 °C (212 °F)	150 °C (302 °F)	180 °C (356 °F)
Silicone oil	IC	> 50	> 50	> 50	> 65
Fluorocarbon	L	> 100	> 100	> 100	-
White oil	WB	> 50	> 100	> 100	> 100
Silicone oil for vacuum applications	IC-V	> 0.5	> 2.5	> 3.8	> 4.5
White oil for vacuum applications	WB-V	> 0.5	> 2.5	> 5.0	> 60

Temperature limits °C (°F)

Environment

Model 261GC, 261AC	Ambient temperature limits
Operating temperature range	-40 ... 85 °C (-40 ... 185 °F)
White oil filling	-6 ... 85 °C (21 ... 185 °F)
LCD display	-20 ... 70 °C (-4 ... 158 °F)

IMPORTANT (NOTE)

For applications in potentially explosive atmospheres, the temperature range specified on the relevant certificate/approval must be observed.

Storage

Model 261GC, 261AC	Storage temperature range
Storage temperature range	-50 ... 85 °C (-58 ... 185 °F)
White oil filling	-6 ... 85 °C (21 ... 185 °F)
LCD display	-40 ... 85 °C (-40 ... 185 °F)

Model 261GC, 261AC	Humidity during storage
Relative humidity	Up to 75 %

Filling fluids	ID	Density at 20 °C in kg/m ³	Process temperature in °C at maximum ambient temperature	
			40 °C	60 °C
Silicone oil	IC	1055	-30 ... 180	-30 ... 140
Fluorocarbon	L	1860	-30 ... 150	-30 ... 140
White oil	WB	849	-6 ... 180	-6 ... 140
Silicone oil for vacuum applications	IC-V	1055	-30 ... 180	-30 ... 140
White oil for vacuum applications	WB-V	849	-6 ... 180	-6 ... 140

Electromagnetic compatibility (EMC)

The devices conform to the requirements and tests for EMC Directive 2004/108/EC, as well as EN 61000-6-3 concerning emitted interference and EN 61000-6-1, EN 61000-6-2 concerning interference immunity. The devices fulfill NAMUR recommendations.

Low Voltage Directive

The devices meet the requirements of Directive 2006/95/EC.

Pressure Equipment Directive (PED)

The devices meet the requirements of Directive 97/23/EC, Category III, module H.

Humidity

Relative humidity: Up to 100 %
Condensation, icing: Permissible

Vibration resistance

Acceleration up to 2 g at frequencies of up to 1,000 Hz (according to IEC 60068-2-6).

Shock resistance

Acceleration: 50 g
Duration: 11 ms
(according to 60068-2-27)

Humid and dusty atmospheres (degree of protection)

The transmitter is dust and sand-tight, and is protected against immersion effects as defined by the following standards:

- IEC EN60529 (1989) with IP 67 (with IP 68, IP 69K on request)
- NEMA 4X
- JIS C0920

IP65 degree of protection with plug connection

ATEX transmitter with type of protection "intrinsic safety Ex ia/ib" in accordance with Directive 94/9/EC

Transmitter with 4 ... 20 mA output signal and HART communication	
Certificate no.	PTB 05 ATEX 2032
Labeling	II 1/2 G Ex ia IIC T4 ... T6 II 2 G Ex ib IIC T4 ... T6

Permissible ambient temperature range according to temperature class:

Ambient temperature	Temperature class
-40 ... 85 °C (-40 ... 185 °F)	T1 ... T4
-40 ... 71 °C (-40 ... 159 °F)	T5
-40 ... 56 °C (-40 ... 132 °F)	T6

or

Labeling	II 1/2 D IP65 T95 °C Ex ia D II 2 D IP65 T95 °C Ex ib D
----------	--

Permissible ambient temperature range:
-40 ... 85 °C (-40 ... 185 °F)

Supply and signal circuit with "Intrinsically safe Ex ia/ib IIB/IIC" type of protection", with the following maximum values

	$U_i = 30 \text{ V}$
	$I_i = 130 \text{ mA}$
	$P_i = 0.8 \text{ W}$
Effective internal capacitance	$C_i = 10 \text{ nF}$
Effective internal inductance	$L_i = 0.5 \text{ mH}$

IECEx transmitter with the following types of protection: "intrinsic safety ia", "non sparking nA" and "dust ignition protection by enclosure tb"

Transmitter with 4 ... 20 mA output signal and HART communication	
Certificate no.	IECEx ZLM 10.0002
Labeling	Ex ia IIC T6 bzw. T4 Ga/Gb Ex ia IIC T66°C bzw. T95°C Da/Db Ex nA IIC T6 bzw. T4 Gc Ex tb IIC T66°C bzw. T95°C Db

Maximum permissible ambient temperature range according to temperature class

Ambient temperature	Temperature class	Surface temperature
-40 ... 85 °C (-40 ... 185 °F)	T4	95 °C (203 °F)
-40 ... 56 °C (-40 ... 133 °F)	T6	66 °C (151 °F)

Electrical data according to designation Ex ia IIC T6 or T4 Ga/Gb and Ex ia IIC T66°C or T95°C IP6X Da/Db

Supply and signal circuit with "intrinsic safety" Ex ia or Ex ib type of protection, for connection to power supply units with the following maximum values (terminal signal ±)

	$U_i = 30 \text{ V}$
	$I_i = 130 \text{ mA}$
	$P_i = 0.8 \text{ W}$
Effective internal capacitance	$C_i = 10 \text{ nF}$
Effective internal inductance	$L_i = 0.5 \text{ mH}$

If the transmitter is being integrated into a partition between equipment protection level Ga or Da and a lower protection level, the transmitter must be supplied with power by an Ex ia intrinsically safe circuit.

Electrical data according to designation Ex nA IIC T6 or T4 Gc and Ex tb IIC T66°C or T95°C IP6X Db

	$I_N \leq 22,5 \text{ mA}$
	$U_N \leq 45 \text{ V}$

Model 261GC/GG/GJ/GM/GN Gauge

Model 261AC/AG/AJ/AM/AN Absolute

Factory Mutual (FM)

Transmitter with 4 ... 20 mA output signal and HART communication	
Intrinsic Safety	Class I; II and III; Division 1; Groups A, B, C, D; E, F, G Class I; Zone 0; AEx ia Group IIC T6; T4
Non-incendive	Class I, II, III, Division 2; Groups A, B, C, D, F, G
Degree of protection	NEMA type 4X (indoor and outdoor installation)

Canadian Standards Association (CSA)

Transmitter with 4 ... 20 mA output signal and HART communication	
Intrinsic Safety	Class I; II and III; Division 1; Groups A, B, C, D; E, F, G Class I; Zone 0; Group IIC T6; T4
Non-incendive	Class I, II, III; Division 2; Groups A, B, C, D; F, G
Degree of protection	NEMA type 4X (indoor and outdoor installation)

Permissible ambient temperature range according to temperature class:

	U _i max. = 30 V; I _i max = 130 mA; P _i = 0,8 W; C _i = 10 nF; L _i = 0,5 µH		
Ex ia II CT1 ... T6	T6	T5	T1 ... T4
	-40 ... 56 °C	-40 ... 71 °C	-40 ... 85 °C

Intrinsic safety	Gas and dust, order code X4
Degree of protection	Ex ia II CT1~T6; DIP A20 T _A 95 °C

NEPSI (China)

Transmitter with 4 ... 20 mA output signal and HART communication	
Intrinsic Safety	(Gas, order code X3)
Designation	Ex ia II CT1~CT6

Permissible ambient temperature range according to temperature class:

	U _i max. = 30 V; I _i max = 130 mA; P _i = 0,8 W; C _i = 10 nF; L _i = 0,5 µH		
Ex ia II CT1 ... T6	T6	T5	T1 ... T4
	-40 ... 56 °C	-40 ... 71 °C	-40 ... 85 °C
DIP A20 T _A 95 °C	-40 ... 85 °C		

Electrical Characteristics and Options

HART digital communication and 4 to 20 mA output

Power supply

The transmitter operates from 11 ... 42 V DC with no load and is protected against reversed polarity (additional loads enable operation above 42 V DC).

During use in Ex ia zones and in other intrinsically safe applications, the power supply must not exceed 30 V DC.

Ripple

Maximum permissible supply voltage ripple during communication: Complies with HART FSK “Physical Layer” specification rev. 8.1.

Load limitations

Total loop resistance at 4 ... 20 mA and HART:

$$R \text{ (k}\Omega\text{)} = \frac{\text{Voltage supply} - \text{Minimum operating voltage (VDC)}}{23.6 \text{ mA}}$$

A minimum resistance of 250 Ω is required for HART communication.

LCD display (optional)

Digital, graphic LCD display for customized visualization of:

- Gauge pressure/absolute pressure
- Output current in mA or %, or
- HART output (freely assigned start/end values and unit)

Diagnostic messages, alarms, errors, and measuring range upper limit violations are also displayed.

In addition, the LCD display can be used to configure and parameterize the transmitter using 4 buttons.

Output signal

Two-wire, 4 ... 20 mA output.

HART® communication provides digital process variables (% , mA or engineering units) superimposed on the 4 ... 20 mA signal (protocol according to Bell 202 FSK standard).

Output current limits (according to NAMUR standard)

Overload condition

- Lower limit: 3.8 mA (configurable up to 3.5 mA)
- Upper limit: 20.5 mA (configurable up to 23.6 mA)

Alarm current

- Minimum alarm current: 3.5 mA (configurable from 3.5 ... 4 mA)
- Maximum alarm current: 21 mA (configurable from 20 ... 23.6 mA)

Default setting: High Alarm Current

Model 261GC/GG/GJ/GM/GN Gauge

Model 261AC/AG/AJ/AM/AN Absolute

Performance specifications

Reference conditions according to IEC 60770

- Ambient temperature TU = constant in the range 18 ... 30 °C (64 ... 86 °F)
- Relative humidity = constant in the range 30 ... 80 %
- Ambient pressure PU = constant in the range 950 ... 1,060 mbar.
- Measuring span based on zero position
- Transmitter with ceramic or Hastelloy separation diaphragm
- Filling fluid: Silicone oil
- Supply voltage: 24 V DC
- Load with HART: 250 Ω
- Transmitter not grounded
- Characteristic setting: linear, 4 ... 20 mA.

Unless otherwise stated, errors are specified as a % of the measuring span value.

The accuracy of the measurement in relation to the upper range limit (URL) is affected by the turndown (TD); i.e., the ratio of the upper range limit (URL) to the set span (URL/span). FOR OPTIMUM MEASURING ACCURACY, IT IS RECOMMENDED THAT YOU SELECT THE SENSOR CODE WHICH WILL PROVIDE THE LOWEST TD VALUE.

Dynamic response (according to IEC 61298-1)

Reaction time	100 ms
Time constant (63.2 % of total step response)	200 ms (for all sensors)

Measuring error for setting cut-off point

Percentage of set span, consisting of non-linearity, hysteresis, and non-reproducibility.

Turndown	Measuring error
1:1 ... 10:1	±0.1 %
>10:1	± (0.1 + 0.005 x TD - 0.05) %

Ambient temperature

Thermal change in ambient temperature as regards the zero signal and span (turndown up to 6:1), in relation to the set span

Temperature range	Maximum effect on zero signal and span
-10 ... 60 °C (14 ... 140 °F)	All measuring ranges ± (0.2 % x TD + 0.2 %)
-40 ... -10 °C (-40 ... 14 °F)	All measuring ranges
60 ... 85 °C (140 ... 185 °F)	±((0.1 % / 10 K) x TD + (0.1 / 10K))

Temperature coefficient (T_k)

Effect of the ambient temperature per 10 K (but limited to the maximum effect of the temperature change, see previous information). The information refers to the set measuring span.

Temperature range	Effect on zero signal and span
-10 ... 60 °C (14 ... 140 °F)	Sensor code C, F: ± (0.15 % x TD + 0.15 %)
	Sensor code L, D, U, R, V: ± (0.05 % x TD + 0.05 %)

Temperature limit for white oil, refer to "Operating limits" section

IMPORTANT (NOTE)

Additional temperature effects dependent on type and size of the process connection, provided in the drawings.

Power supply

Within the specified limits for the voltage / load, the total influence is less than 0.001 % of the upper measuring range limit per volt.

Load

Within the specified load / voltage limits, the total influence is negligible.

Electromagnetic fields

Total influence is less than 0.3 % of measuring span from 80 ... 1,000 MHz and for field strengths up to 10 V/m when tested with unshielded conduit, with or without meter.

Physical specification

(Refer to ordering information sheets for variant availability related to specific model or versions code)

Materials

Separation diaphragms¹

See order information

Process connection¹

See order information

Filling fluid for process connection

See order information

Sensor filling fluid

Silicone oil, inert filling (carbon fluoride), white oil (FDA)

Mounting bracket

Stainless steel

Sensor housing, electronics housing and cover

Stainless steel (1.4404 / 316L)

Filter for atmospheric ventilation

Filter housing: Plastic (standard), stainless steel (code EA, AB)
Filter material: Polyamide (PA)

Viewing window in cover (LCD display)

Polycarbonate, Makrolon 6557

O-ring cover

EPDM

Name plate

Plastic data plate attached to the electronics housing

¹ Transmitter parts that come into contact with fluid

Calibration

Standard:

— 0 to upper range limit (URL)

Optional:

— To specified measuring span

Optional extras

LCD display

Can be rotated in 90° increments into 4 positions

Additional tag plates

Code I2: For measuring point tag (up to 30 characters) and calibration specifications (up to 30 characters: lower and upper value plus unit), attached to transmitter housing.

Code I1: For customer data (4 lines with 30 characters each), attached to transmitter housing with wire.

Cleaning stage for oxygen applications (O2)

Certificates (test, design, characteristics, material traceability)

Name plate and operating instruction language

Process connections

See order information

Electrical connections

M16 x 1.5 tap hole with cable gland (cable diameter approx. 5 ... 10 mm), directly on housing

or

M20 x 1.5 (via adapter) with cable gland (cable diameter approx. 6 ... 11 mm)

or

1/2-14 NPT (via adapter) without cable gland

or

Harting Han plug connector (with mating plug (socket outlet, for wire diameters of 0.75 ... 1 mm² and cable diameters of 5 ... 11 mm))

or

Miniature plug connector (without mating plug (socket outlet))

Terminals

HART version:

Two connections for signal / auxiliary power, for wire cross-sections from 0.5 ... 1.5 mm² (16 AWG)

Grounding (optional)

External ground terminals for wire cross-sections up to 4 mm² (12 AWG).

Model 261GC/GG/GJ/GM/GN Gauge

Model 261AC/AG/AJ/AM/AN Absolute

Mass

(without options)

- Approx. 0.7 kg (1.54 lb)
- Additional 650 G (1.5 lb)

Packing

Carton with dimensions of approx. 240 x 140 x 190 mm
(9.45 x 5.51 x 7.48 in.)

Configuration

Transmitter with HART communication and 4 to 20 mA Standard configuration

Transmitters are set to the customer's specified span at the factory. The set range and measuring point number are provided on the name plate. If this data has not been specified, the transmitter will be delivered with the following configuration:

Parameter	Factory setting
4 mA	Zero position
20 mA	Measuring range upper limit (URL)
Output	Linear
Damping	0.1 s
Transmitter failure mode	21 mA
Optional LCD display	0 ... 100 %

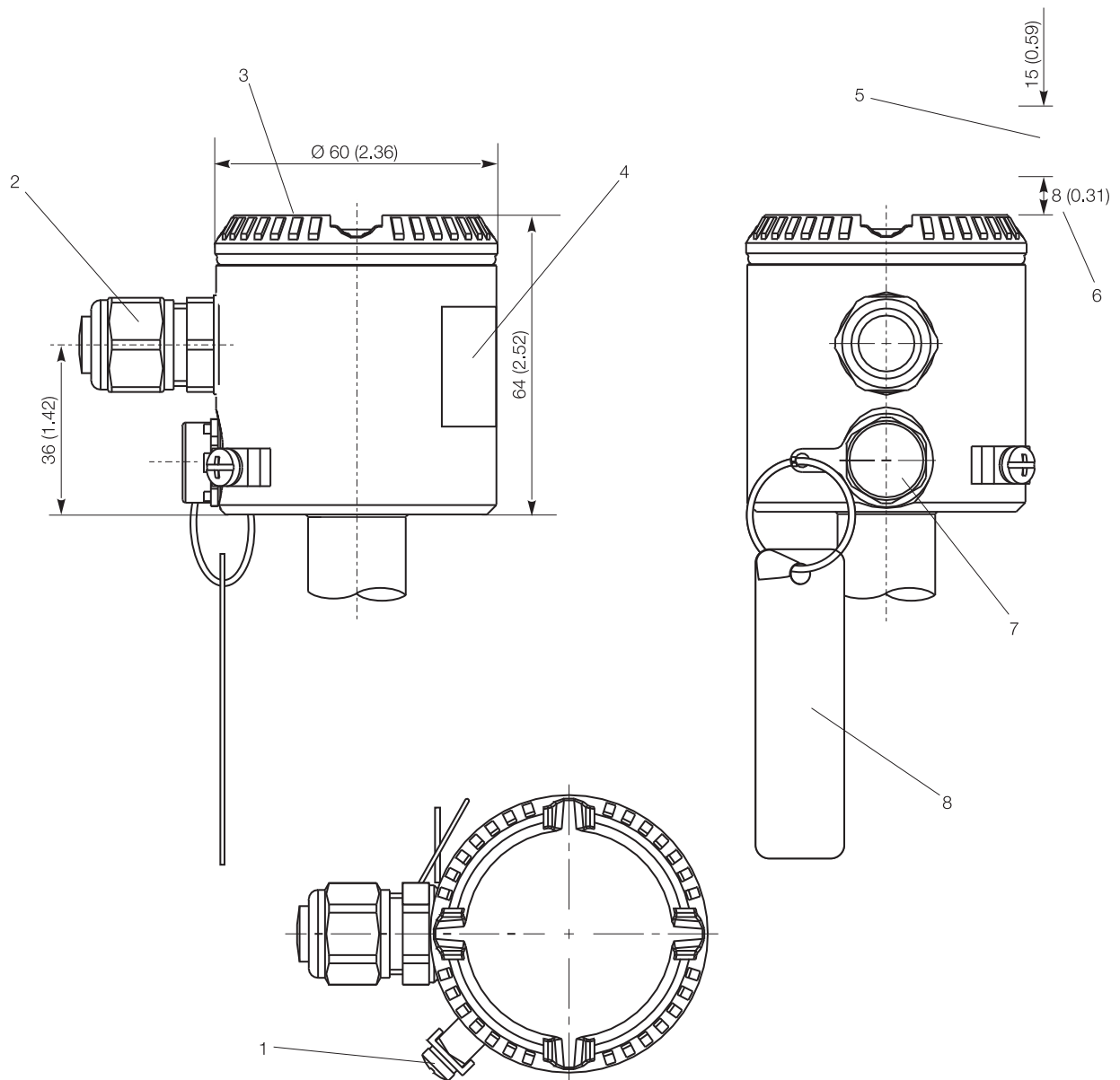
Any or all of the configurable parameters listed above - including the upper and lower range values - can easily be changed using the optional LCD indicator, a HART handheld communicator, or a PC running the configuration software SMART VISION with DTM for 2600T.

Mounting dimensions

Pressure transmitter

(not design data) - dimensions in mm (inch)

Standard design



M10281

Fig. 1: Dimensions in mm (inch)

1 Grounding / equipotential bonding terminal (optional) | 2 Electrical connection (with cable gland) | 3 Housing cover | 4 Name plate | 5 Space for removing cover required | 6 With LCD indicator | 7 Filter for atmospheric compensation | 8 Tag (optional)

Model 261GC/GG/GJ/GM/GN Gauge Model 261AC/AG/AJ/AM/AN Absolute

Version with LCD indicator and Harting Han plug

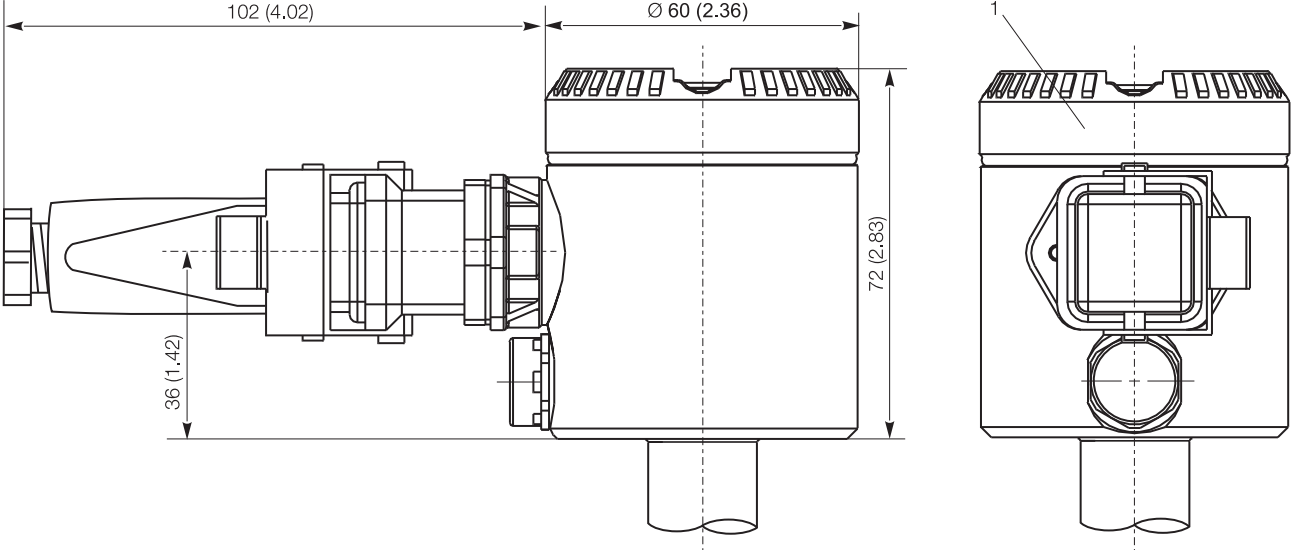


Fig. 2: Dimensions in mm (inch) - with options
1 Housing cover for LCD indicator option

M10282

Model 261GC / AC
Flush diaphragm remote seal
 Form B (EN 1092)
 Form RF (ASME B16.5)

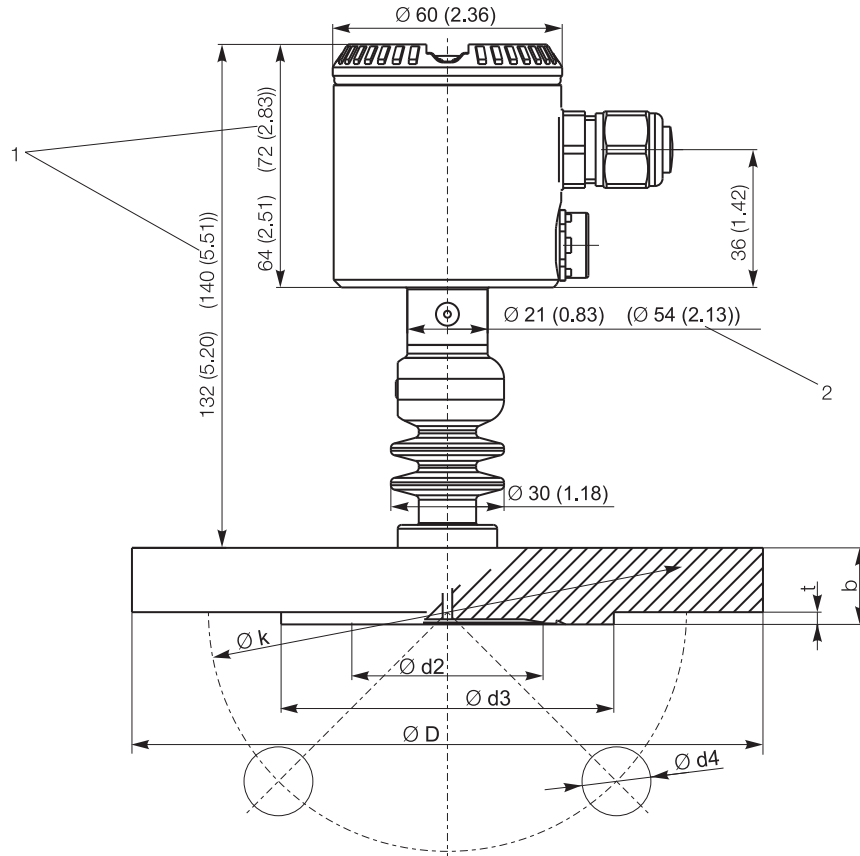
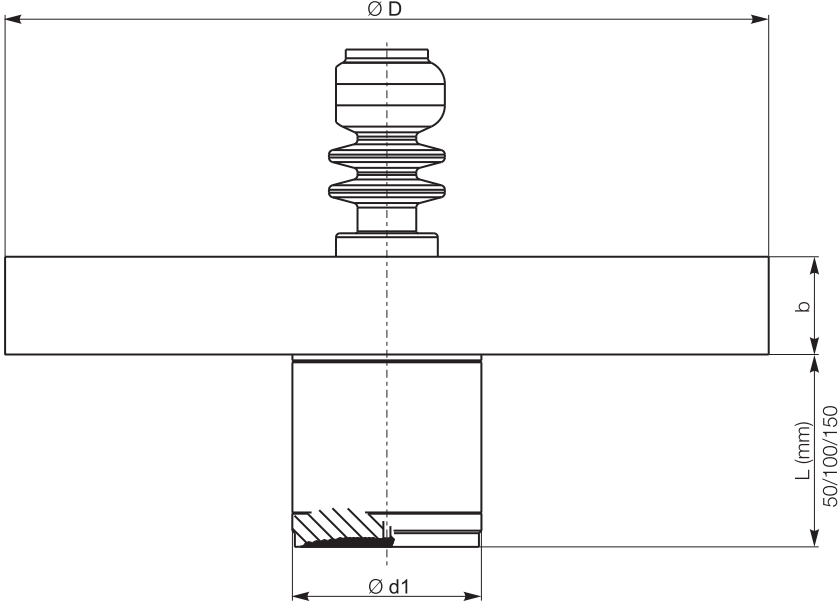


Fig. 3: Dimensions in mm (inch)
 1 With LCD indicator | 2 Dimensions for sensor code C, F

Model 261GC/GG/GJ/GM/GN Gauge Model 261AC/AG/AJ/AM/AN Absolute

Extended diaphragm remote seal



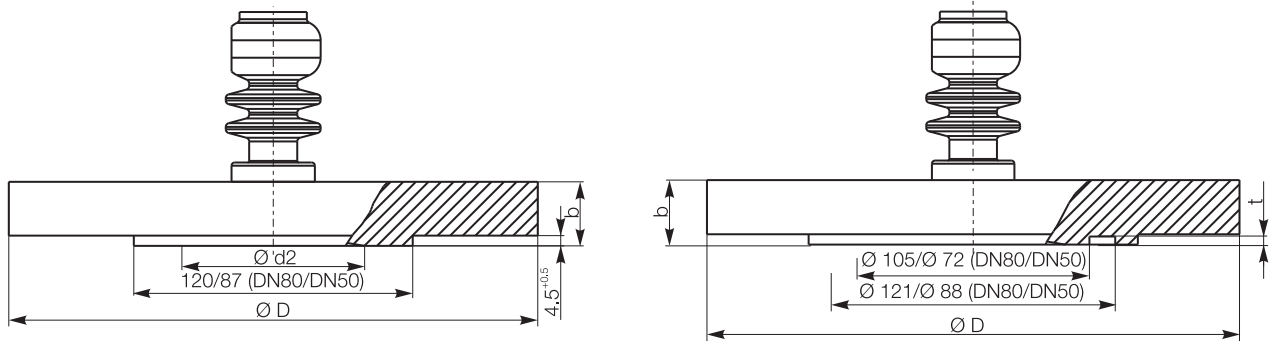
M10284

Fig. 4: Dimensions in mm (inch)

Sealing surfaces

Sealing surface with edge; Form E (EN 1092)

Sealing surface with groove; Form D (EN1092)



M10285

Fig. 5: Dimensions in mm (inch)

Sealing surface Form B, Form D, Form E (EN 1092), Form RF (ASME B16.5)

DN	PN	Ø D	Ø k	Ø d1	Ø d2	Ø d3	t Form B2, D, RF	b	Ø d4	Weight	
										Flush diaphragm	Extended diaphragm (tube)
25	PN 10 / 40	115 (4.53)	85 (3.35)	-	32 (1.26)	68 (2.68)	2	18 (0.71)	4 x Ø14		
50	PN 16 / 40	165 (6.50)	125 (4.92)	48,3 (1.9)	57 (2.24)	102 (4.02)	3 (0.12)	20 (0.79)	4 x Ø 18		
	PN 63	180 (7.09)	135 (5.31)	48,3 (1.9)	57 (2.24)	102 (4.02)	3 (0.12)	26 (1.02)	4 x Ø 22		
	PN 100	195 (7.68)	145 (5.71)	48,3 (1.9)	57 (2.24)	102 (4.02)	3 (0.12)	28 (1.10)	4 x Ø 26		
80	PN 16 / 40	200 (7.87)	160 (6.30)	73 (2.87)	75 (2.95)	138 (5.43)	3 (0.12)	24 (0.94)	8 x Ø 18		
	PN 63	215 (8.46)	170 (6.69)	73 (2.87)	75 (2.95)	138 (5.43)	3 (0.12)	28 (1.10)	8 x Ø 22		
	PN 100	230 (9.06)	180 (7.09)	73 (2.87)	75 (2.95)	138 (5.43)	3 (0.12)	32 (1.26)	8 x Ø 26		
1"	class 150	107,9 (4.25)	79,4 (3.13)	-	32 (1.26)	50.8 (2)	1,6 (0.06)	14,2 (0.56)	4 x Ø 15,7		
	class 300	123,8 (4.87)	88,9 (3.5)	-	32 (1.26)	50.8 (2)	1,6 (0.06)	17,5 (0.69)	4 x Ø 19,1		
2"	class 150	152,4 (6)	120,6 (4.75)	48,3 (1.9)	57 (2.24)	92.1 (3.63)	1.6 (0.06)	19,1 (0.75)	4 x Ø 19,1		
	class 300	165,1 (6.5)	127 (5)	48,3 (1.9)	57 (2.24)	92.1 (3.63)	1.6 (0.06)	22,4 (0.88)	8 x Ø 19,1		
	class 600	165,1 (6.5)	127 (5)	48,3 (1.9)	57 (2.24)	92.1 (3.63)	6.35 (0.25)	25,4 (1.0)	8 x Ø 19,1		
3"	class 150	190,5 (7.5)	152,4 (6)	73 (2.87)	75 (2.95)	127 (5)	1.6 (0.06)	22,2 (0.87)	4 x Ø 19,1		
	class 300	209,5 (8.25)	168,3 (6.63)	73 (2.87)	75 (2.95)	127 (5)	1.6 (0.06)	28,4 (1.12)	8 x Ø 22,4		
	class 600	209,5 (8.25)	168,3 (6.63)	73 (2.87)	75 (2.95)	127 (5)	6.35 (0.25)	31,8 (1.25)	8 x Ø 22,4		

Model 261GC/GG/GJ/GM/GN Gauge

Model 261AC/AG/AJ/AM/AN Absolute

Accuracy information

Process connection	Temperature effect for each 10 K (18 °F)				Recommended measuring span	
	Environment		Process		mbar	in H ₂ O
	mbar	in H ₂ O	mbar	in H ₂ O		
DN 25 Flush diaphragm	0,77	0,31	1,20	0,48	1000	401,5
DN 50 Flush diaphragm	0,075	0,03	0,4	0,16	100	40,15
DN 50 with tube	0,125	0,05	0,9	0,36	160	64,24
DN 80 Flush diaphragm	0,05	0,02	0,1	0,04	60	24,09
DN 80 with tube	0,05	0,02	0,1	0,04	60	24,09
1" ASME Flush diaphragm	0,77	0,31	1,20	0,48	1000	401,5
2" ASME Flush diaphragm	0,075	0,03	0,4	0,16	100	40,15
2" ASME with tube	0,125	0,05	0,9	0,36	160	64,24
3" ASME Flush diaphragm	0,05	0,02	0,1	0,04	60	24,09
3" ASME with tube	0,05	0,02	0,1	0,04	60	24,09

Model 261GG / AG

Mean roughness for wetted surfaces: $Ra \leq 0.8 \mu m$

Pressure transmitter with tri-clamp connection per ASME

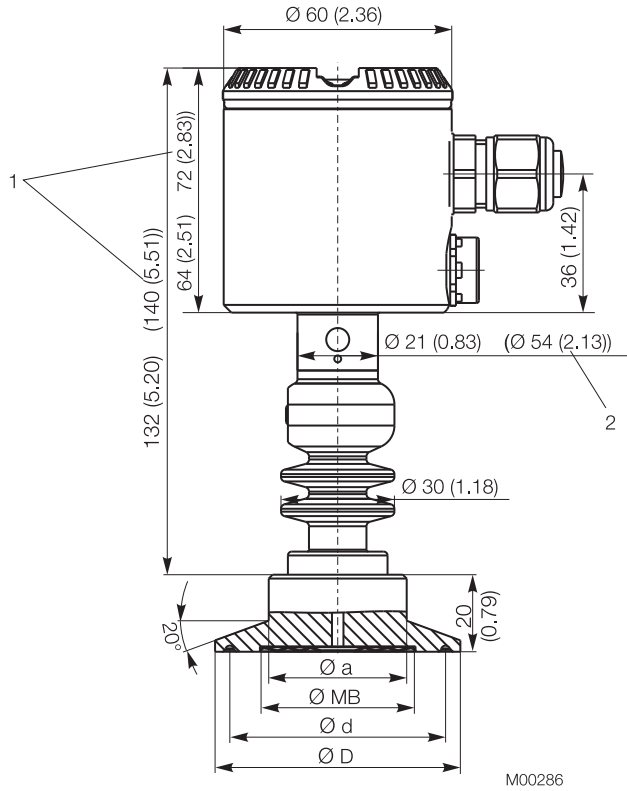


Fig. 6: Dimensions in mm (inch)

1 With LCD indicator | 2 Dimensions for sensor code C, F

DN	PN	Ø MB	Ø D	Ø d	Ø a
1 1/2"	40	32 (1.26)	50 (1.97)	43,5 (1.71)	36 (1.42)
2"	40	40 (1.57)	64 (2.52)	56,5 (2.22)	36 (1.42)
3"	25	72 (2.83)	91 (3.58)	83,5 (3.29)	77 (3.03)

Model 261GC/GG/GJ/GM/GN Gauge Model 261AC/AG/AJ/AM/AN Absolute

Varivent connection

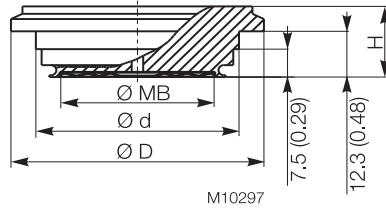


Fig. 7: Dimensions in mm (inch)

Form	PN	Ø MB	Ø D	Ø d	H
N for pipes DN 40 to 125 and 1 1/2" to 4"	25	60 (2.36)	84 (3.31)	70,9 (2.79)	17 (0.67)
F for pipes DN 25 and 1"	25	40 (1.57)	66 (2.60)	53 (2.08)	17 (0.67)

NEUMO BioControl (flange connection)

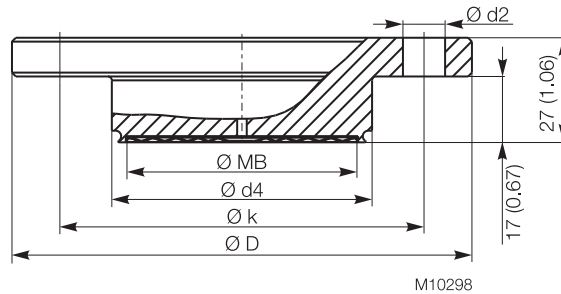


Fig. 8: Dimensions in mm (inch)

Type	PN	Ø MB	Ø D	Ø d2	Ø k	Ø d4
GR50	16	40 (1.57)	90 (3.54)	4 x Ø 11	70 (2.76)	50 (1.97)
GR65	16	59 (2.32)	120 (4.72)	4 x Ø 9	95 (3.74)	67.9 (2.67)

Pressure sensor with DRD flange

D = 65 mm; PN 40

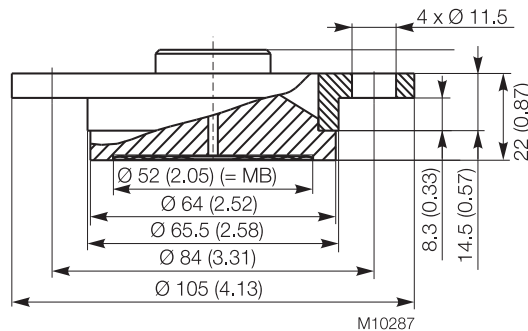
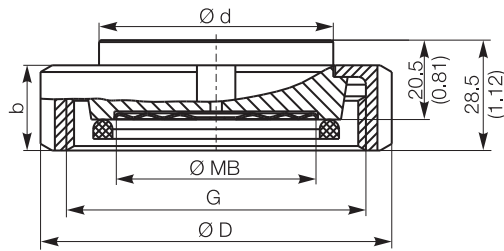


Fig. 9: Dimensions in mm (inch)

Dairy coupling
DIN 11851

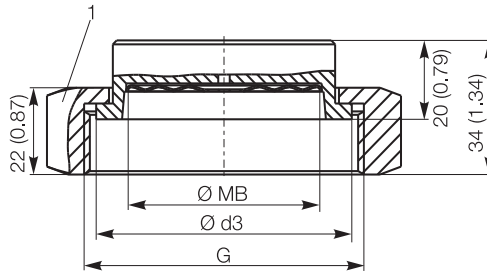


M10288

Fig. 10: Dimensions in mm (inch)

DN	PN	$\varnothing MB$	$\varnothing D$	$\varnothing d$	b	G
32	40	32 (1.26)	70 (2.76)	41 (1.61)	21 (0.83)	Rd 58 x 1/6"
40	40	40 (1.57)	78 (3.07)	48 (1.89)	21 (0.83)	Rd 65 x 1/6"
50	25	52 (2.05)	92 (3.62)	61 (2.40)	22 (0.87)	Rd 78 x 1/6"

APV-RJT connection



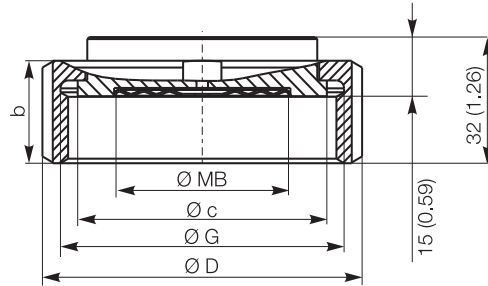
M10289

Fig. 11: Dimensions in mm (inch)
1 Wrench size

DN	PN	$\varnothing MB$	$\varnothing d3$	G	WS
1 1/2"	40	32 (1.26)	54 (2.16)	2 5/16 x 8"	65 (2.65)
2"	40	40 (1.57)	66.7 (2.63)	2 7/8 x 6"	80 (3.15)

Model 261GC/GG/GJ/GM/GN Gauge Model 261AC/AG/AJ/AM/AN Absolute

SMS connection



M10290

Fig. 12: Dimensions in mm (inch)

DN	PN	Ø MB	Ø D	Ø c	G	b
1 1/2"	40	35 (1.38)	74 (2.91)	55 (2.17)	Rd 60 x 1/6"	25 (0.98)
2	40	45 (1.77)	84 (3.30)	65 (2.56)	Rd 70 x 1/6"	26 (1.02)

Additional effect of process connection, only when temperature of transmitter (ambient temperature) deviates from process connection

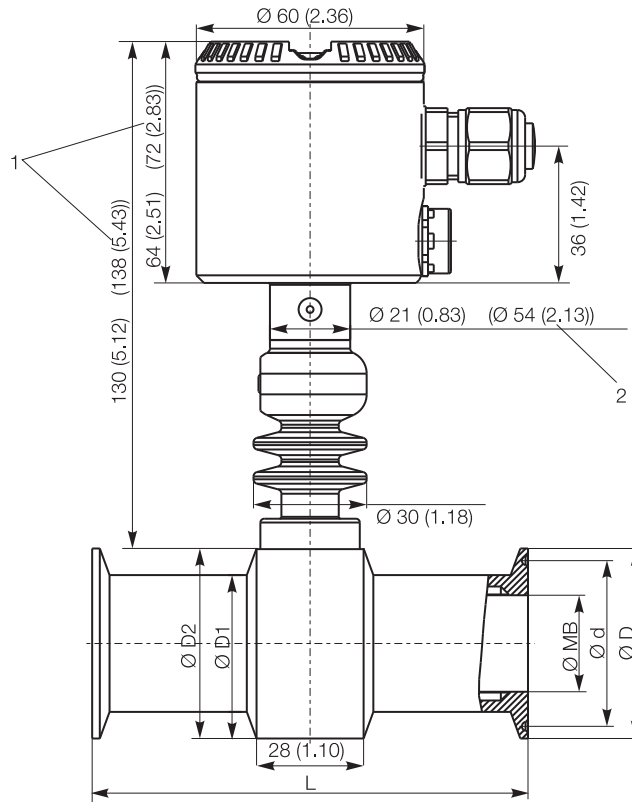
Process connection	Temperature effect for each 10 K (18 °F)		Recommended min. measuring span		Weight (kg)
	Process		mbar	in H ₂ O	
	mbar	in H ₂ O			
Dairy coupling DIN 11851, DN 32, PN 40	0.22	0.09	45	18.07	0.5
Dairy coupling DIN 11851, DN 40, PN 40	0.20	0.08	40	16.06	0.75
Dairy coupling DIN 11851, DN 50, PN 25	0.12	0.05	40	16.06	0.8
SMS connection DN 1 1/2", PN 40	0.35	0.14	70	28.10	0.8
SMS connection DN 2", PN 40	0.12	0.05	40	16.06	1.0
Tri-clamp connection ASME, DN 1 1/2", PN 40	0.35	0.14	70	28.10	0.6
Tri-clamp connection in acc. with ASME, DN 2", PN 40	0.12	0.05	40	16.06	0.75
Tri-clamp connection in acc. with ASME, DN 3", PN 25	0.08	0.03	40	16.06	1.3
DRD flange, D = 65 mm	0.12	0.05	40	16.06	2.0

Additional effect of process connection based on calibration temperature

Process connection	Temperature effect for each 10 K (18 °F)				Recommended min. measuring span		Weight (kg)
	Environment		Process		mbar	in H ₂ O	
	mbar	in H ₂ O	mbar	in H ₂ O			
RJT connection DN 1 1/2", PN 40	0.77	0.31	1.20	0.48	400	160.59	0.9
RJT connection DN 2", PN 40	0.24	0.09	0.78	0.31	200	80.29	1.1
Varivent for DN 25 pipes	0.28	0.11	0.79	0.32	215	86.31	0.33
Varivent for DN 40-DN 125 pipes	0.19	0.07	0.90	0.36	220	88.32	0.58
NEUMO BioControl G50	0.16	0.07	0.52	0.21	135	54.20	0.65
NEUMO BioControl G65	0.18	0.07	0.88	0.35	220	88.32	1.3

Model 261GJ / AJ

Pressure transmitter with inline remote seal and tri-clamp connection per ASME



M10291

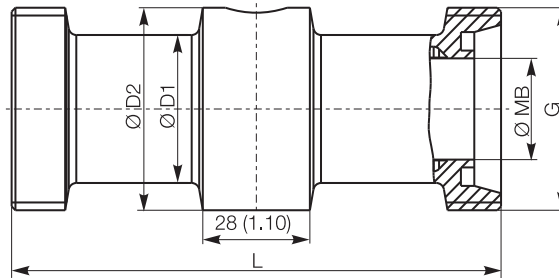
Fig. 13: Dimensions in mm (inch)

1 With LCD indicator | 2 Dimensions for sensor code C, F

DN	PN	Ø MB	Ø D1	Ø D2	Ø L	Ø d
1"	40	22.2 (0.87)	36 (1.42)	50 (1.97)	114 (4.49)	43.5 (1.71)
1 1/2"		34.8 (1.37)	43 (1.69)	55 (2.17)	146 (5.75)	43.5 (1.71)
2"		47.5 (1.87)	56 (2.20)	64 (2.52)	156 (6.14)	56.5 (2.22)

Model 261GC/GG/GJ/GM/GN Gauge Model 261AC/AG/AJ/AM/AN Absolute

Inline remote seal with dairy coupling
DIN 11851



M10292

Fig. 14: Dimensions in mm (inch)

DN	PN	Ø MB	Ø D1	Ø D2	L	G
25	40	26 (1.02)	38 (1.50)	52 (2.05)	114 (4.49)	Rd 52 x 1/6"
40	40	38 (1.50)	55 (2.17)	65 (2.56)	146 (5.75)	Rd 65 x 1/6"
50	25	50 (1.97)	68 (2.68)	78 (3.07)	156 (6.14)	Rd 78 x 1/6"

Inline remote seal with sandwich design

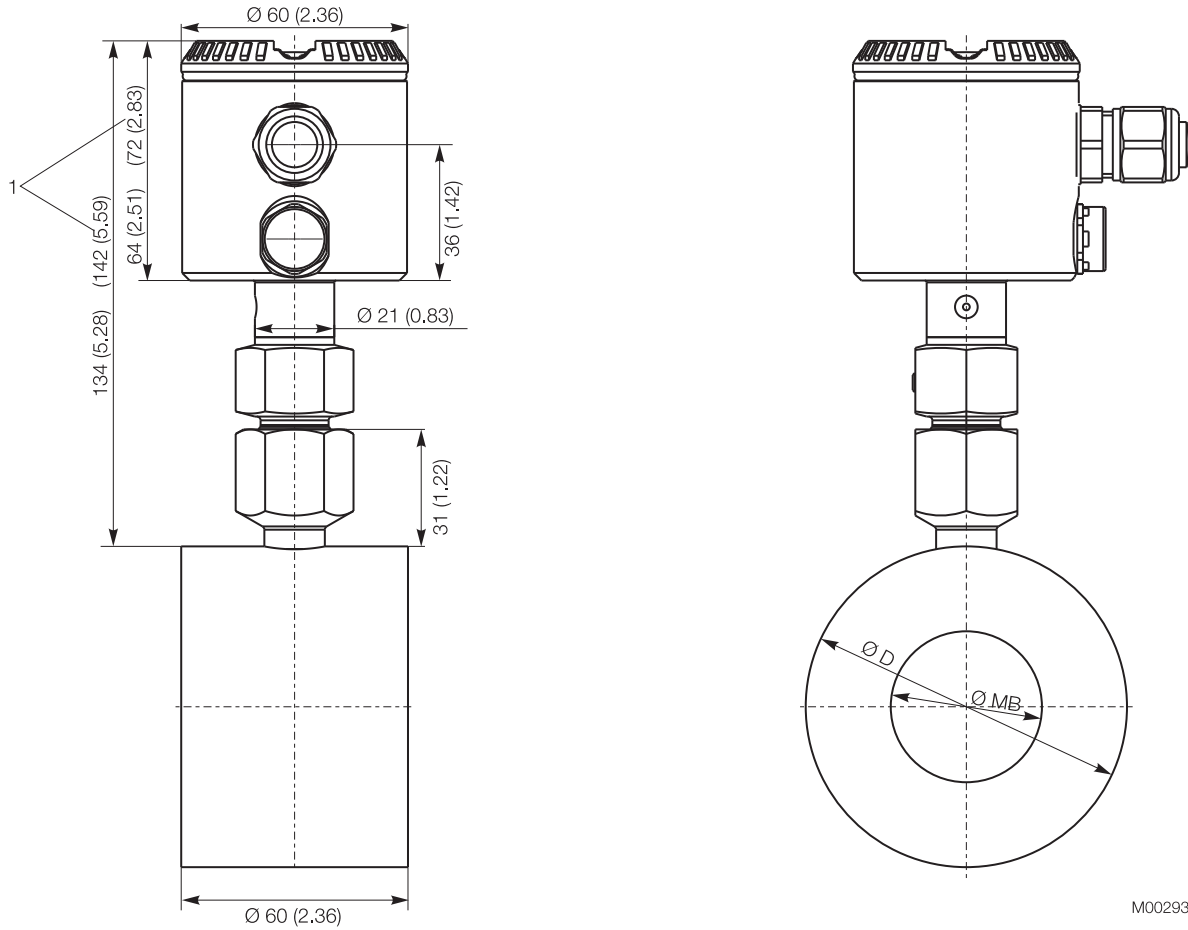


Fig. 15: Dimensions in mm (inch)
1 With LCD indicator

DN	PN (bar)	PN (psi)	Ø MB	Ø D
25 / 1"	6 ... 400	150 ... 2500	28.5 (1.12)	63 (2.48)
40	6 ... 400		43 (1.69)	85 (3.35)
1 1/2"	-		43 (1.69)	78 (3.07)
50 / 2"	6 ... 320		54.5 (2.15)	95 (3.74)
80 / 3"	6 ... 250		82.5 (3.25)	130 (5.12)

Model 261GC/GG/GJ/GM/GN Gauge

Model 261AC/AG/AJ/AM/AN Absolute

Accuracy information

Process connection	Temperature effect for each 10 K (18 °F)				Recommended min. measuring span		Weight (kg)
	Environment		Process		mbar	in H ₂ O	
	mbar	in H ₂ O	mbar	in H ₂ O			
Dairy coupling DIN 11851, DN 25, PN 40	0.63	0.25	8.19	3.29	2200	883	1.0
Dairy coupling DIN 11851, DN 40, PN 40	0.07	0.03	1.92	0.77	500	201	1.9
Dairy coupling DIN 11851, DN 50, PN 25	0.04	0.01	1.86	0.75	500	201	2.8
Tri-clamp connection for pipes in acc. with ASME, DN 1", PN 40	1.92	0.77	18.54	7.44	5000	2008	1.0
Tri-clamp connection for pipes in acc. with ASME, DN 1 1/2", PN 40	0.08	0.03	0.99	0.40	250	100	1.9
Tri-clamp connection for pipes in acc. with ASME, DN 2", PN 40	0.06	0.02	2.25	0.90	600	241	2.8
DN 25 / ASME 1"	1.76	0.71	9.21	3.70	2800	1124	1.4
DN 40 / ASME 1 1/2"	0.57	0.23	5.03	2.02	1400	562	2.2
DN 50 / ASME 2"	1.57	0.63	16.62	6.67	4500	1807	2.5
DN 80 / ASME 3"	0.74	0.30	7.11	2.85	2000	803	4.0

Model 261GM / AM

Transmitter with wafer remote seal and internal diaphragm

DN 25, PN 10 / 40

DN 1" CL 150

DN 1" CL 300

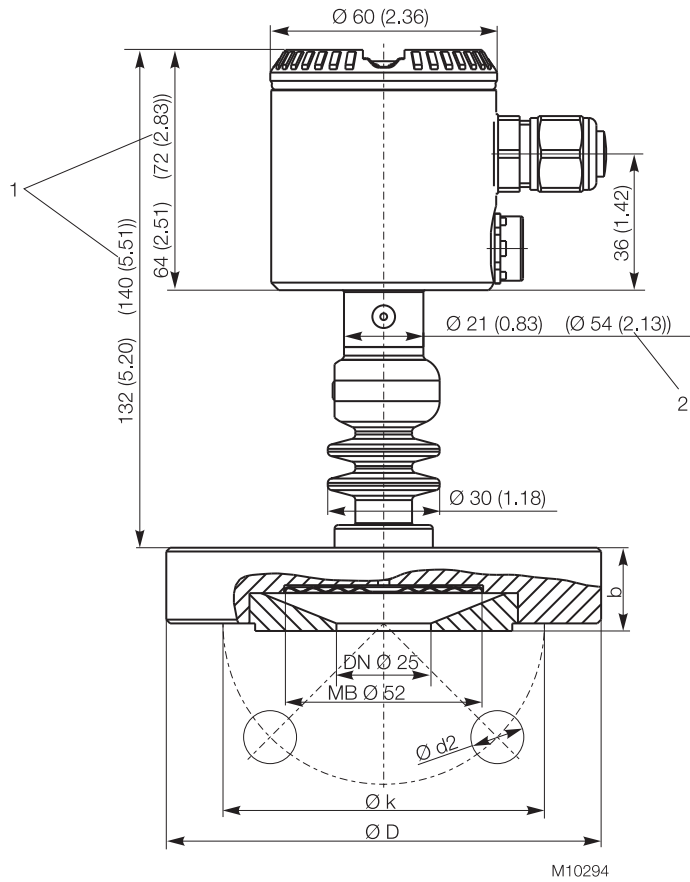


Fig. 16: Dimensions in mm (inch)

1 With LCD indicator | 2 Dimensions for sensor code C

DN	PN	Ø D	Ø k	Ø d2
25	10 / 40	115 (4.53)	85 (3.35)	14 (0.55)
1"	ASME CL 150	110 (4.33)	79.5 (3.13)	16 (0.63)
1"	ASME CL 300	125 (4.92)	89 (3.50)	20 (0.79)

Model 261GC/GG/GJ/GM/GN Gauge Model 261AC/AG/AJ/AM/AN Absolute

Transmitter with wafer remote seal and internal diaphragm

DN 25, PN 63 / 100

DN 25, PN 160

DN 25, PN 250

DN 1" CL 600

DN 1" CL 1500

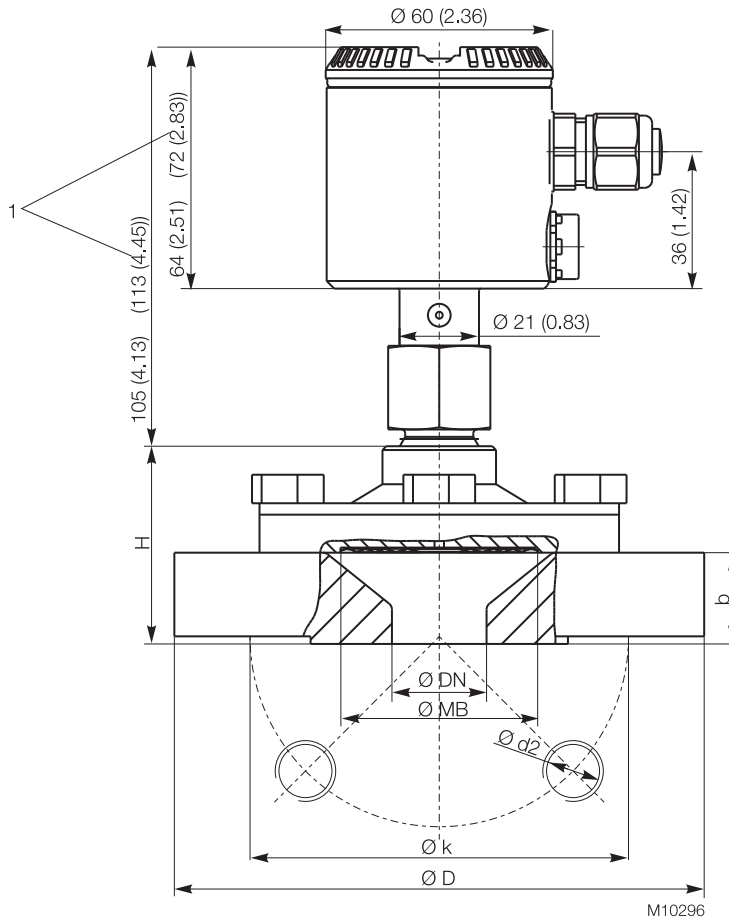


Fig. 17: Dimensions in mm (inch)
1 With LCD indicator

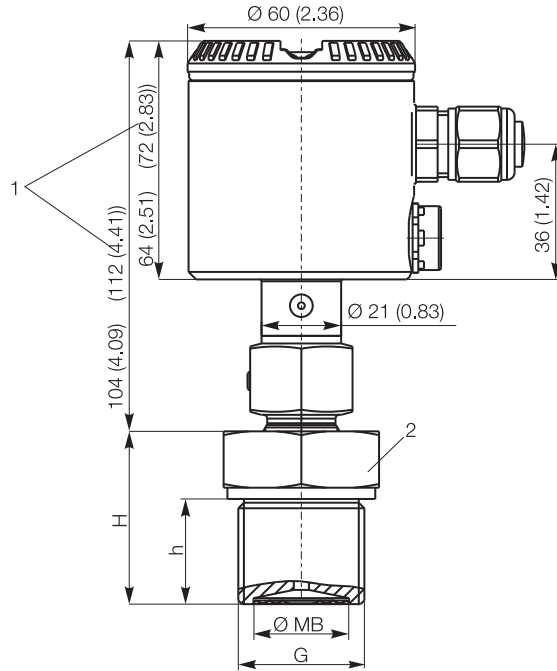
DN	PN	Ø MB	Ø D	Ø k	b	H	Ø d2
25	63 / 100	52 (2.04)	140 (5.51)	100 (3.94)	24 (0.94)	52 (2.05)	4 x M16
	160		140 (5.51)	100 (3.94)	24 (0.94)	52 (2.05)	4 x M16
	250		150 (5.91)	105 (4.13)	28 (1.10)	56 (2.20)	4 x M20
1"	ASME CL 600	52 (2.04)	125 (4.92)	89 (3.50)	24.5 (1.42)	52.5 (0.96)	4 x 5/8"
	ASME CL 1500		150 (5.91)	101.5 (4.00)	36 (1.42)	64 (1.42)	4 x 7/8"

Accuracy information

Process connection	Nominal pressure	Temperature effect for each 10 K (18 °F)				Recommended min. measuring span		Weight (kg)
		Environment		Process		span		
		mbar	in H ₂ O	mbar	in H ₂ O	mbar	in H ₂ O	
1"	ASME CL 150							1.4
1"	ASME CL 300	0.24	0.096	0.78	0.313	160	64.24	1.7
1"	ASME CL 600							3.6
1"	ASME CL 1500							4.0
DN 25	DIN - 10 / 40 bar	0.24	0.096	0.78	0.313	160	64.24	1.5
DN 25	DIN - 63 / 100 bar							3.2
DN 25	DIN - 160 bar							3.6
DN 25	DIN - 250 bar							4.0

Model 261GC/GG/GJ/GM/GN Gauge Model 261AC/AG/AJ/AM/AN Absolute

Model 261GN / AN



M00295

Fig. 18: Dimensions in mm (inch)
1 With LCD indicator | 2 Wrench size (WS)

Accuracy information

Process connection	Temperature effect for each 10 K (18 °F)				Recommended min. measuring span	
	Environment		Process			
	mbar	in H ₂ O	mbar	in H ₂ O	mbar	in H ₂ O
G 1 A - PN 600	14	5.62	35	14.05	6000	2409
G 1 1/2 A - PN 600	2	0.80	4	1.61	1200	482

Electrical connections

HART version

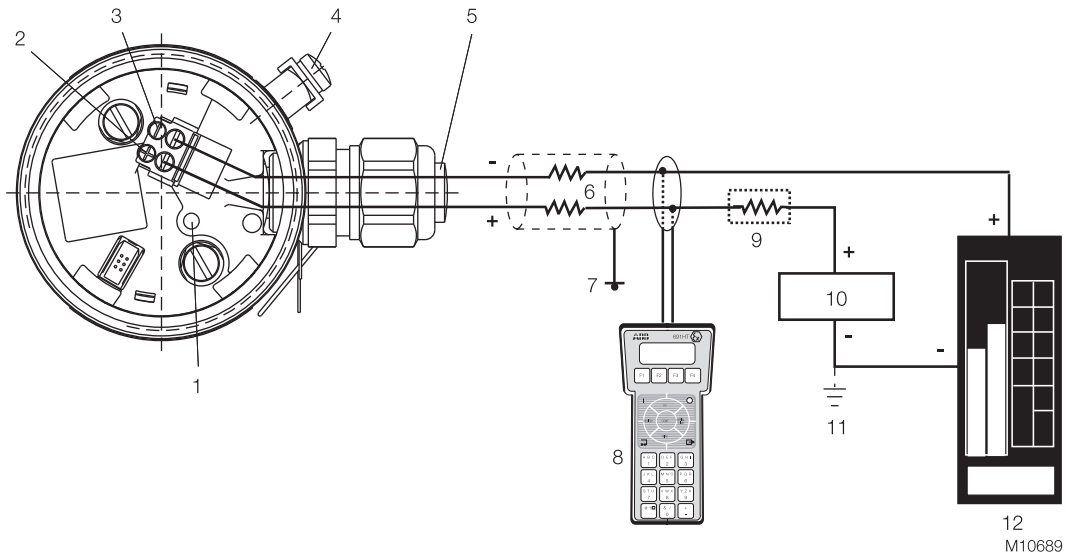


Fig. 19: Electrical connections - HART version

- 1 Pushbutton for lower/upper range values | 2 + Signal screw terminals for leads with cross-section of $0.5 \dots 1.5 \text{ mm}^2$ |
 3 - Signal screw terminals for leads with a cross-section of $0.5 \dots 1.5 \text{ mm}^2$ | 4 Grounding / equipotential bonding terminal (optional) |
 5 Cable entry | 6 Line load | 7 Grounding | 8 Handheld terminal | 9 Resistor (min. 250Ω) | 10 Power supply / power supply unit |
 11 Optional ground | 12 Receiver

Optional plug connectors

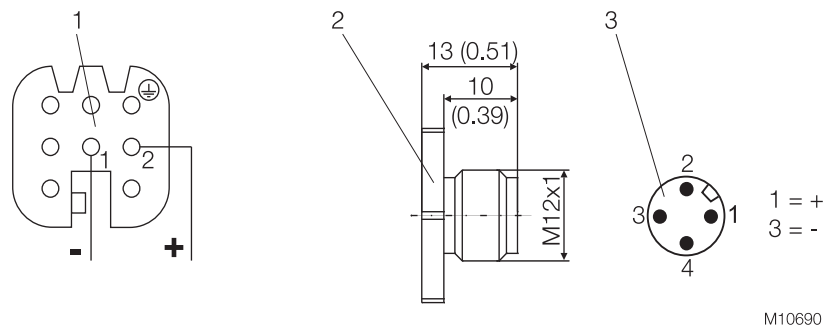


Fig. 20: Dimensions - Plug connector

- 1 Harting Han 8D (8U) socket insert for mating plug supplied (view of sockets) | 2 Mating plug (socket); not supplied |
 3 M12 x 1 miniature plug (pins)

Model 261GC/GG/GJ/GM/GN Gauge Model 261AC/AG/AJ/AM/AN Absolute

Ordering information

Basic ordering information 261GC Gauge Pressure Transmitters

Select one character or set of characters from each category and specify complete catalog number.

Refer to additional ordering information and specify one or more codes for each transmitter if additional options are required.

Base model – 1 st to 5 th characters	261GC	X	X	X	X	X	X	X	X	X
Gauge pressure transmitter, process connection flange DN 25 / DN 50 / DN 80 / 1 in. / 2 in. / 3 in., base accuracy 0.1 %										
Sensor - Span Limits – 6 th characters										continued see next page
6 kPa 60 mbar 24 in. H2O (45 mm Hg)		C								
40 kPa 400 mbar 160 in. H2O (300 mm Hg)		F								
250 kPa 2500 mbar 1000 in. H2O (1875 mm Hg)		L								
1000 kPa 10 bar 145 psi		D								
3000 kPa 30 bar 435 psi		U								
10000 kPa 100 bar 1450 psi		R								
Diaphragm Material / Fill Fluid (Sensor) – 7 th characters										
Front bonded diaphragm Silicone oil			R							
Front bonded diaphragm Inert fluid (Note: 1)			2							
Front bonded diaphragm White oil			6							
Size / Mounting Flange Rating – 8 th characters										
1 in. / ASME CL 150									3	
1 in. / ASME CL 300									4	
2 in. / ASME CL 150									A	
2 in. / ASME CL 300									D	
2 in. / ASME CL 600									G	
3 in. / ASME CL 150									B	
3 in. / ASME CL 300									E	
3 in. / ASME CL 600									H	
DN 25 // DIN PN 10 / PN 40 (Note: 2)									2	
DN 50 // DIN PN 16 / PN 40									M	
DN 50 / DIN PN 63									P	
DN 50 / DIN PN 100									R	
DN 80 // DIN PN 16 / PN 40									L	
DN 80 / DIN PN 63									Q	
DN 80 / DIN PN 100									S	

Basic ordering information model 261GC Gauge Pressure Transmitter					X	X	X	X	X	X
Mounting Flange Material / Seat Form (Flange) – 9th characters										
AISI 316L SST (1.4404)	Form RF (Raised Face) - smooth finish	NACE	(Note: 4)	E						
AISI 316L SST (1.4404)	EN 1092 - B2 (DIN 2526 - Form E)	NACE	(Note: 5)	S						
AISI 316L SST (1.4404)	EN 1092 - B1 (DIN 2526 - Form D)	NACE	(Note: 3)	4						
AISI 316L SST (1.4404)	EN 1092 - E (DIN 2513 - V13)	NACE	(Note: 5)	M						
AISI 316L SST (1.4404)	EN 1092 - D (DIN 2512 - N)	NACE	(Note: 5)	N						
Extension Length / Material – 10th characters										
Flush		NACE		F						
50 mm (2 in.) / AISI 316L SST (1.4404)		NACE		1						
50 mm (2 in.) / Hastelloy C-276		NACE		2						
100 mm (4 in.) / AISI 316L SST (1.4404)		NACE		3						
100 mm (4 in.) / Hastelloy C-276		NACE		4						
150 mm (6 in.) / AISI 316L SST (1.4404)		NACE		5						
150 mm (6 in.) / Hastelloy C-276		NACE		6						
Diaphragm Material (Process Connection) – 11th characters										
AISI 316L SST (1.4435)		NACE	(Note: 8)					S		
Hastelloy C-276		NACE	(Note: 7)					H		
Tantalum		NACE	(Note: 6)					T		
AISI 316L SST (1.4435) with FEP non-adhesive coating		NACE	(Note: 6)					1		
Hastelloy C-276 with FEP non-adhesive coating		NACE	(Note: 6)					2		
Fill Fluid – 12th characters										
Silicone oil									S	
Inert fluid			(Note: 1)						N	
White oil (FDA approved)			(Note: 9)						W	
Silicone oil for vacuum applications									L	
White oil (FDA approved), for vacuum applications			(Note: 9)						Y	
Electronic Housing Material / Electrical Connection – 13th characters										
AISI 316L SST (1.4404) / M16 x 1.5 (with cable gland made of plastic)			(Note: 10)							2
AISI 316L SST (1.4404) / 1/2-14 NPT (without cable gland)										S
AISI 316L SST (1.4404) / M20 x 1.5 (with cable gland made of plastic)			(Note: 10)							T
AISI 316L SST (1.4404) / Harting Han Connector			(Note: 11)							3
AISI 316L SST (1.4404) / Miniature Connector			(Note: 11)							Z
Output – 14th characters										
HART digital communication and 4 ... 20 mA (Additional options not requested)								(Note: 13)		H
HART digital communication and 4 ... 20 mA (Additional options to be ordered by additional ordering code)								(Note: 12)		1

Model 261GC/GG/GJ/GM/GN Gauge

Model 261AC/AG/AJ/AM/AN Absolute

Additional ordering information for model 261GC

Add one or more 2-digit code(s) after the basic ordering information to select all required options.

	XX	XX	XX	XX	XX	XX
Explosion Protection Certification						
Factory Mutual (FM) - Intrinsically Safe (Note: 14)	EA					
Canadian Standard Association (CSA) - Intrinsically Safe (Note: 14)	ED					
ATEX Group II Category 1/2 G - Intrinsic Safety EEx ia	EH					
ATEX Group II Category 1/2 G and 1/2 D - Intrinsic Safety EEx ia (without Cable Gland) (Note: 14)	EL					
IECEX Ex ia IIC T6 + Ex nA IIC T6, Gas	ER					
IECEX Ex ia IIC T6 + Ex nA IIC T6 + Ex tb, Gas & Dust	ES					
GOST Russia - EEx ia	W1					
GOST Kazakhstan - EEx ia	W3					
GOST Ukraine - EEx ia	WA					
GOST Belarus - EEx ia	WG					
NEPSI Ex ia IIC T-T6 Gas	X3					
NEPSI Ex ia IIC T-T6 Gas & Dust	X4					
Integrated Digital Display (LCD)						
With integrated LCD display		L1				
Electronic Housing: Ground Terminal						
Housing with external grounding terminal			AA			
Electronic Housing: Cable Gland						
Cable Gland M16 x 1.5 / M20 x 1.5 and atmosphere ventilation of metal				AB		
Applications: Oxygen						
Oil- and grease-free, for oxygen applications (O2) (Pmax = 21 MPa / 210 bar / 3045 psi, Tmax = 60 °C / 140 °F) (Note: 15)					P1	
Operating Instruction Language						
German						M1
Italian						M2
Spanish						M3
French						M4
English						M5
Swedish						M7
Finnish						M8
Russian						MB
Dutch						MD

Additional ordering information for model 261GS	XX	XX	XX	XX	XX	XX	XX	XX	XX	XX
Additional Tag Plate										
Stainless steel	I1									
Certificates: 3.1 Calibration										
Inspection certificate 3.1 acc. EN 10204 of calibration	C1									
Certificates: 3.1 Cleanliness Stage										
Inspection certificate 3.1 acc. EN 10204 of cleanliness stage		C3								
Certificates: 3.1 Helium Leakage Test										
Inspection certificate 3.1 acc. EN 10204 of helium leakage test of the sensor module			C4							
Certificates: 3.1 Pressure Test										
Inspection certificate 3.1 acc. EN 10204 of pressure test				C5						
Certificates: 2.1 Instrument Design										
Declaration of compliance with the order 2.1 acc. EN 10204 for instrument design					C6					
Certificates: SIL2										
SIL2 - Declaration of Conformity								CL		
Certificates: MVO Approval										
MVO approval					(Note: 16)				CR	
Calibration Record										
Calibration record					(Note: 16)					CB
Separate calibration record					(Note: 16)					CC
Certificates: GOST										
GOST Russia - Without Explosion Protection										WC
GOST Kazakhstan - Without Explosion Protection										WD
GOST Ukraine - Without Explosion Protection										WE
GOST Belarus - Without Explosion Protection										WF

Model 261GC/GG/GJ/GM/GN Gauge Model 261AC/AG/AJ/AM/AN Absolute

Additional ordering information for model 261GC		XX	XX	XX	XX
Material: 2.1 Compliance					
Certificate of compliance with the order 2.1 acc. EN 10204 for process wetted parts		H1			
Material: 3.1 Inspection					
Inspection certificate 3.1 acc. EN 10204 of process wetted parts (Note: 17)			H3		
Material: 2.2 Test Report					
Test report 2.2 acc. EN 10204 of the pressure bearing and process wetted parts				H4	
Connector Type					
Miniature connector M12 x 1 (without mating plug)					U2
Harting Han 8D (8U) - Straight entry (Note: 18)					U3

- Note 1: Suitable for oxygen applications
 Note 2: Only with seat form EN 1092 - B1
 Note 3: Only with size DN 25
 Note 4: Only for size / mounting flange rating according to ASME
 Note 5: Only for size / mounting flange rating according to DIN
 Note 6: Not with tube and not with seat form EN 1092 - D (groove) / Not with size 1 in. / DN 25
 Note 7: Not with tube of stainless steel / Not with size 1 in. / DN 25
 Note 8: Not with tube of Hastelloy C
 Note 9: Suitable for food applications
 Note 10: With Cable Gland made of Plastic
 Note 11: Select connector with additional ordering code
 Note 12: Additional options to be ordered by additional ordering code
 Note 13: Additional options not requested / Not available for electrical connection with connector
 Note 14: Not available with electrical connection with connector
 Note 15: Only available with inert fill
 Note 16: Only with Fill Fluid White oil
 Note 17: Minor parts with factory certificate acc. EN 10204
 Note 18: Only for electrical connection with Harting Han connector

Standard delivery scope (changes possible with additional ordering code)

- For general-purpose applications (no Ex applications)
- No display, no mounting bracket
- English-language operating instructions; English and German-language labels
- Configuration with kPa and °C units
- No test, inspection, or material certificates

Unless otherwise specified prior to manufacture, the customer shall be responsible for the selection of suitable parts that make contact with the medium and appropriate filling fluids in order to ensure compatibility with the relevant process medium.

Basic ordering information 261AC Absolute Pressure Transmitters

Select one character or set of characters from each category and specify complete catalog number.

Refer to additional ordering information and specify one or more codes for each transmitter if additional options are required.

Base model – 1 st to 5 th characters			261AC	X	X	X	X	X	X	X	X	X
Absolute pressure transmitter, process connection flange DN 25 / DN 50 / DN 80 / 1 in. / 2 in. / 3 in., base accuracy 0.1 %												
Sensor - Span Limits – 6th characters												
40 kPa	400 mbar	160 in. H ₂ O (300 mm Hg)		F								
250 kPa	2500 mbar	1000 in. H ₂ O (1875 mm Hg)		L								
1000 kPa	10 bar	145 psi		D								
3000 kPa	30 bar	435 psi		U								
10000 kPa	100 bar	1450 psi		R								
Diaphragm Material / Fill Fluid (Sensor) – 7th characters												
Front bonded diaphragm	Silicone oil											
Front bonded diaphragm	Inert fluid		(Note: 1)									
Front bonded diaphragm	White oil											
Size / Mounting Flange Rating – 8th characters												
1 in. / ASME CL 150												3
1 in. / ASME CL 300												4
2 in. / ASME CL 150												A
2 in. / ASME CL 300												D
2 in. / ASME CL 600												G
3 in. / ASME CL 150												B
3 in. / ASME CL 300												E
3 in. / ASME CL 600												H
DN 25 // DIN PN 10 / PN 40			(Note: 2)									2
DN 50 // DIN PN 16 / PN 40												M
DN 50 / DIN PN 63												P
DN 50 / DIN PN 100												R
DN 80 // DIN PN 16 / PN 40												L
DN 80 / DIN PN 63												Q
DN 80 / DIN PN 100												S

continued
see next page

Model 261GC/GG/GJ/GM/GN Gauge

Model 261AC/AG/AJ/AM/AN Absolute

Basic ordering information model 261AC Absolute Pressure Transmitter						X	X	X	X	X	X
Mounting Flange Material / Seat Form (Flange) – 9th characters											
AISI 316L SST (1.4404)	Form RF (Raised Face) - smooth finish	NACE	(Note: 4)	E							
AISI 316L SST (1.4404)	EN 1092 - B2 (DIN 2526 - Form E)	NACE	(Note: 5)	S							
AISI 316L SST (1.4404)	EN 1092 - B1 (DIN 2526 - Form D)	NACE	(Note: 3)	4							
AISI 316L SST (1.4404)	EN 1092 - E (DIN 2513 - V13)	NACE	(Note: 5)	M							
AISI 316L SST (1.4404)	EN 1092 - D (DIN 2512 - N)	NACE	(Note: 5)	N							
Extension Length / Material – 10th characters											
Flush		NACE		F							
50 mm (2 in.) / AISI 316L SST (1.4404)		NACE		1							
50 mm (2 in.) / Hastelloy C-276		NACE		2							
100 mm (4 in.) / AISI 316L SST (1.4404)		NACE		3							
100 mm (4 in.) / Hastelloy C-276		NACE		4							
150 mm (6 in.) / AISI 316L SST (1.4404)		NACE		5							
150 mm (6 in.) / Hastelloy C-276		NACE		6							
Diaphragm Material (Process Connection) – 11th characters											
AISI 316L SST (1.4435)		NACE	(Note: 8)					S			
Hastelloy C-276		NACE	(Note: 7)					H			
Tantalum		NACE	(Note: 6)					T			
AISI 316L SST (1.4435) with FEP non-adhesive coating		NACE	(Note: 6)					1			
Hastelloy C-276 with FEP non-adhesive coating		NACE	(Note: 6)					2			
Fill Fluid – 12th characters											
Silicone oil										S	
Inert fluid			(Note: 1)							N	
White oil (FDA approved)			(Note: 9)							W	
Silicone oil for vacuum applications										L	
White oil (FDA approved), for vacuum applications			(Note: 9)							Y	
Electronic Housing Material / Electrical Connection – 13th characters											
AISI 316L SST (1.4404) / M16 x 1.5 (with cable gland made of plastic)			(Note: 10)								2
AISI 316L SST (1.4404) / 1/2-14 NPT (without cable gland)											S
AISI 316L SST (1.4404) / M20 x 1.5 (with cable gland made of plastic)			(Note: 10)								T
AISI 316L SST (1.4404) / Harting Han Connector			(Note: 11)								3
AISI 316L SST (1.4404) / Miniature Connector			(Note: 11)								Z
Output – 14th characters											
HART digital communication and 4 ... 20 mA (Additional options not requested)								(Note: 13)			H
HART digital communication and 4 ... 20 mA (Additional options to be ordered by additional ordering code)								(Note: 12)			1

Additional ordering information for model 261AC

Add one or more 2-digit code(s) after the basic ordering information to select all required options.

	XX	XX	XX	XX	XX	XX
Explosion Protection Certification						
Factory Mutual (FM) - Intrinsic Safe	(Note: 14)	EA				
Canadian Standard Association (CSA) - Intrinsic Safe		ED				
ATEX Group II Category 1/2 G - Intrinsic Safety EEx ia		EH				
ATEX Group II Category 1/2 G and 1/2 D - Intrinsic Safety EEx ia (without Cable Gland)	(Note: 14)	EL				
IECEX Ex ia IIC T6 + Ex nA IIC T6, Gas		ER				
IECEX Ex ia IIC T6 + Ex nA IIC T6 + Ex tb, Gas & Dust		ES				
GOST Russia - EEx ia		W1				
GOST Kazakhstan - EEx ia		W3				
GOST Ukraine - EEx ia		WA				
GOST Belarus - EEx ia		WG				
NEPSI Ex ia IIC T-T6 Gas		X3				
NEPSI Ex ia IIC T-T6 Gas & Dust		X4				
Integrated Digital Display (LCD)						
With integrated LCD display					L1	
Electronic Housing: Ground Terminal						
Housing with external grounding terminal						AA
Electronic Housing: Cable Gland						
Cable Gland M16 x 1.5 / M20 x 1.5 and atmosphere ventilation of metal						AB
Applications: Oxygen						
Oil- and grease-free, for oxygen applications (O2) (Pmax = 21 MPa / 210 bar / 3045 psi, Tmax = 60 °C / 140 °F)					(Note: 15)	P1
Operating Instruction Language						
German						M1
Italian						M2
Spanish						M3
French						M4
English						M5
Swedish						M7
Finnish						M8
Russian						MB
Dutch						MD

Model 261GC/GG/GJ/GM/GN Gauge

Model 261AC/AG/AJ/AM/AN Absolute

Additional ordering information for model 261AC	XX	XX	XX	XX	XX	XX	XX	XX	XX	XX
Additional Tag Plate										
Stainless steel	I1									
Certificates: 3.1 Calibration										
Inspection certificate 3.1 acc. EN 10204 of calibration		C1								
Certificates: 3.1 Cleanliness Stage										
Inspection certificate 3.1 acc. EN 10204 of cleanliness stage			C3							
Certificates: 3.1 Helium Leakage Test										
Inspection certificate 3.1 acc. EN 10204 of helium leakage test of the sensor module				C4						
Certificates: 3.1 Pressure Test										
Inspection certificate 3.1 acc. EN 10204 of pressure test					C5					
Certificates: 2.1 Instrument Design										
Declaration of compliance with the order 2.1 acc. EN 10204 for instrument design						C6				
Certificates: SIL2										
SIL2 - Declaration of Conformity								CL		
Calibration Record										
Calibration record									CB	
Separate calibration record									CC	
Certificates: MVO Approval										
MVO approval							(Note: 16)			CR
Certificates: GOST										
GOST Russia - Without Explosion Protection										WC
GOST Kazakhstan - Without Explosion Protection										WD
GOST Ukraine - Without Explosion Protection										WE
GOST Belarus - Without Explosion Protection										WF

Additional ordering information for model 261AC		XX	XX	XX	XX
Material: 2.1 Compliance					
Certificate of compliance with the order 2.1 acc. EN 10204 for process wetted parts		H1			
Material: 3.1 Inspection					
Inspection certificate 3.1 acc. EN 10204 of process wetted parts (Note: 17)			H3		
Material: 2.2 Test Report					
Test report 2.2 acc. EN 10204 of the pressure bearing and process wetted parts				H4	
Connector Type					
Miniature connector M12 x 1 (without mating plug)					U2
Harting Han 8D (8U) - Straight entry (Note: 18)					U3

- Note 1: Suitable for oxygen applications
 Note 2: Only with seat form EN 1092 - B1
 Note 3: Only with size DN 25
 Note 4: Only for size / mounting flange rating according to ASME
 Note 5: Only for size / mounting flange rating according to DIN
 Note 6: Not with tube and not with seat form EN 1092 - D (groove) / Not with size 1 in. / DN 25
 Note 7: Not with tube of stainless steel / Not with size 1 in. / DN 25
 Note 8: Not with tube of Hastelloy C
 Note 9: Suitable for food applications
 Note 10: With Cable Gland made of Plastic
 Note 11: Select connector with additional ordering code
 Note 12: Additional options to be ordered by additional ordering code
 Note 13: Additional options not requested / Not available for electrical connection with connector
 Note 14: Not available with electrical connection with connector
 Note 15: Only available with inert fill
 Note 16: Only with Fill Fluid White oil
 Note 17: Minor parts with factory certificate acc. EN 10204
 Note 18: Only for electrical connection with Harting Han connector

Standard delivery scope (changes possible with additional ordering code)

- For general-purpose applications (no Ex applications)
- No display, no mounting bracket
- English-language operating instructions; English and German-language labels
- Configuration with kPa and °C units
- No test, inspection, or material certificates

Unless otherwise specified prior to manufacture, the customer shall be responsible for the selection of suitable parts that make contact with the medium and appropriate filling fluids in order to ensure compatibility with the relevant process medium.

Model 261GC/GG/GJ/GM/GN Gauge Model 261AC/AG/AJ/AM/AN Absolute

Basic ordering information 261GG Gauge Pressure Transmitters

Select one character or set of characters from each category and specify complete catalog number.

Refer to additional ordering information and specify one or more codes for each transmitter if additional options are required.

Base model – 1 st to 5 th characters			261GG	X	X	X	X	X	X	X	X
Gauge pressure transmitter, hygienic connections, base accuracy 0.1 %											
Sensor - Span Limits – 6 th characters											continued see next page
40 kPa	400 mbar	160 in. H2O (300 mm Hg)		F							
250 kPa	2500 mbar	1000 in. H2O (1875 mm Hg)		L							
1000 kPa	10 bar	145 psi		D							
4000 kPa	40 bar	580 psi		1							
Diaphragm Material / Fill Fluid (Sensor) – 7 th characters											
Not selected											0
Process Connection – 8 th characters											
Dairy Thread DIN 11851, DN 32, PN 40		(Note: 1)									B
Dairy Thread DIN 11851, DN 40, PN 40		(Note: 1)									C
Dairy Thread DIN 11851, DN 50, PN 25		(Note: 1)									D
SMS 1-1/2 in. union nut PN 40		(Note: 1)									F
SMS 2 in. union nut PN 40		(Note: 1)									G
RJT union nut DN 1-1/2 in. PN 40		(Note: 1)									J
RJT union nut DN 2 in. PN 40		(Note: 1)									K
Tri-Clamp Connection acc. ASME 1-1/2 in. PN 40		(Note: 1)									M
Tri-Clamp Connection acc. ASME 2 in. PN 40		(Note: 1)									N
Tri-Clamp Connection acc. ASME 3 in. PN 25		(Note: 1)									P
Varivent for pipes DN 25, PN 25		(Note: 1)									R
Varivent for pipes DN 40 ... DN 125, PN 25		(Note: 1)									S
Neumo-Biocontrol G50		(Note: 1)									T
Neumo-Biocontrol G65		(Note: 1)									U
DRD flange, D = 65 mm		(Note: 1)									Y

Basic ordering information model 261GG Gauge Pressure Transmitter				X	X	X	X	X
Diaphragm Material (Process Connection) – 9th characters								
AISI 316L SST (1.4435)	NACE	S						
Fill Fluid – 10th characters								
Silicone oil			S					
Inert fluid	(Note: 2)		N					
White oil (FDA approved)	(Note: 3)		W					
Silicone oil for vacuum applications			L					
White oil (FDA approved), for vacuum applications	(Note: 3)		Y					
Gasket– 11th characters								
None	(Note: 4)			1				
Perbunan (max. 120 °C / 248 °F)	(Note: 5)			4				
Viton	(Note: 6)			3				
PTFE	(Note: 5)			2				
Electronic Housing Material / Electrical Connection – 12th characters								
AISI 316L SST (1.4404) / M16 x 1.5 (with cable gland made of plastic)	(Note: 7)				2			
AISI 316L SST (1.4404) / 1/2-14 NPT (without cable gland)						S		
AISI 316L SST (1.4404) / M20 x 1.5 (with cable gland made of plastic)	(Note: 7)						T	
AISI 316L SST (1.4404) / Harting Han Connector	(Note: 8)							3
AISI 316L SST (1.4404) / Miniature Connector	(Note: 8)							Z
Output – 13th characters								
HART digital communication and 4 ... 20 mA (Additional options not requested)	(Note: 10)							H
HART digital communication and 4 ... 20 mA (Additional options to be ordered by additional ordering code)	(Note: 9)							1

Model 261GC/GG/GJ/GM/GN Gauge

Model 261AC/AG/AJ/AM/AN Absolute

Additional ordering information for model 261GG

Add one or more 2-digit code(s) after the basic ordering information to select all required options.

	XX	XX	XX	XX	XX	XX	XX
Explosion Protection Certification							
Factory Mutual (FM) - Intrinsically Safe (Note: 11)	EA						
Canadian Standard Association (CSA) - Intrinsically Safe (Note: 11)	ED						
ATEX Group II Category 1/2 G - Intrinsic Safety EEx ia	EH						
ATEX Group II Category 1/2 G and 1/2 D - Intrinsic Safety EEx ia (without Cable Gland) (Note: 11)	EL						
IECEX Ex ia IIC T6 + Ex nA IIC T6, Gas	ER						
IECEX Ex ia IIC T6 + Ex nA IIC T6 + Ex tb, Gas & Dust	ES						
GOST Russia - EEx ia	W1						
GOST Kazakhstan - EEx ia	W3						
GOST Ukraine - EEx ia	WA						
GOST Belarus - EEx ia	WG						
NEPSI Ex ia IIC T-T6 Gas	X3						
NEPSI Ex ia IIC T-T6 Gas & Dust	X4						
Integrated Digital Display (LCD)							
With integrated LCD display						L1	
Electronic Housing: Ground Terminal							
Housing with external grounding terminal							AA
Electronic Housing: Cable Gland							
Cable Gland M16 x 1.5 / M20 x 1.5 and atmosphere ventilation of metal							AB
Applications: Oxygen							
Oil- and grease-free, for oxygen applications (O2) (Pmax = 21 MPa / 210 bar / 3045 psi, Tmax = 60 °C / 140 °F) (Note: 12)							P1
Applications: Electropolished							
Process connection electropolished, Ra ≤ 0.5 µm							P5
Operating Instruction Language							
German							M1
Italian							M2
Spanish							M3
French							M4
English							M5
Swedish							M7
Finnish							M8
Russian							MB
Dutch							MD

Additional ordering information for model 261GG	XX	XX	XX	XX	XX	XX	XX	XX	XX	XX	XX	XX
Additional Tag Plate												
Stainless steel	I1											
Certificates: 3.1 Calibration												
Inspection certificate 3.1 acc. EN 10204 of calibration	C1											
Certificates: 3.1 Cleanliness Stage												
Inspection certificate 3.1 acc. EN 10204 of cleanliness stage		C3										
Certificates: 3.1 Helium Leakage Test												
Inspection certificate 3.1 acc. EN 10204 of helium leakage test of the sensor module			C4									
Certificates: 3.1 Pressure Test												
Inspection certificate 3.1 acc. EN 10204 of pressure test				C5								
Certificates: 2.1 Instrument Design												
Declaration of compliance with the order 2.1 acc. EN 10204 for instrument design					C6							
Certificates: SIL2												
SIL2 - Declaration of Conformity								CL				
Calibration Record												
Calibration record									CB			
Separate calibration record									CC			
Certificates: 3-A Approval												
3-A Approval										CN		
Certificates: MVO Approval												
MVO approval						(Note: 13)					CR	
Certificates: GOST												
GOST Russia - Without Explosion Protection												WC
GOST Kazakhstan - Without Explosion Protection												WD
GOST Ukraine - Without Explosion Protection												WE
GOST Belarus - Without Explosion Protection												WF

Model 261GC/GG/GJ/GM/GN Gauge

Model 261AC/AG/AJ/AM/AN Absolute

Additional ordering information for model 261GG			XX	XX	XX	XX
Material: 2.1 Compliance						
Certificate of compliance with the order 2.1 acc. EN 10204 for process wetted parts			H1			
Material: 3.1 Inspection						
Inspection certificate 3.1 acc. EN 10204 of process wetted parts			(Note: 14)	H3		
Material: 2.2 Test Report						
Test report 2.2 acc. EN 10204 of the pressure bearing and process wetted parts					H4	
Connector Type						
Miniature connector M12 x 1 (without mating plug)						U2
Harting Han 8D (8U) - Straight entry			(Note: 15)			U3

- Note 1: Available with 3-A approval
 Note 2: Suitable for oxygen applications
 Note 3: Suitable for food applications
 Note 4: For all connections except dairy thread
 Note 5: Only for dairy thread, exception: no sealing will be supplied for 3-A approval
 Note 6: Only for DRD flange
 Note 7: With Cable Gland made of Plastic
 Note 8: Select connector with additional ordering code
 Note 9: Additional options to be ordered by additional ordering code
 Note 10: Additional options not requested / Not available for electrical connection with connector
 Note 11: Not available with electrical connection with connector
 Note 12: Only available with inert fill
 Note 13: Only with Fill Fluid White oil
 Note 14: Minor parts with factory certificate acc. EN 10204
 Note 15: Only for electrical connection with Harting Han connector

Standard delivery scope (changes possible with additional ordering code)

- For general-purpose applications (no Ex applications)
- No display, no mounting bracket
- English-language operating instructions; English and German-language labels
- Configuration with kPa and °C units
- No test, inspection, or material certificates

Unless otherwise specified prior to manufacture, the customer shall be responsible for the selection of suitable parts that make contact with the medium and appropriate filling fluids in order to ensure compatibility with the relevant process medium.

Basic ordering information 261AG Absolute Pressure Transmitters

Select one character or set of characters from each category and specify complete catalog number.

Refer to additional ordering information and specify one or more codes for each transmitter if additional options are required.

Base model – 1 st to 5 th characters			261AG	X	X	X	X	X	X	X	X
Absolute pressure transmitter, hygienic connections, base accuracy 0.1 %											
Sensor - Span Limits – 6 th characters											continued see next page
40 kPa	400 mbar	160 in. H ₂ O (300 mm Hg)		F							
250 kPa	2500 mbar	1000 in. H ₂ O (1875 mm Hg)		L							
1000 kPa	10 bar	145 psi		D							
4000 kPa	40 bar	580 psi		1							
Diaphragm Material / Fill Fluid (Sensor) – 7 th characters											
Not selected										0	
Process Connection – 8 th characters											
Dairy Thread DIN 11851, DN 32, PN 40			(Note: 1)								B
Dairy Thread DIN 11851, DN 40, PN 40			(Note: 1)								C
Dairy Thread DIN 11851, DN 50, PN 25			(Note: 1)								D
SMS 1-1/2 in. union nut PN 40			(Note: 1)								F
SMS 2 in. union nut PN 40			(Note: 1)								G
RJT union nut DN 1-1/2 in. PN 40			(Note: 1)								J
RJT union nut DN 2 in. PN 40			(Note: 1)								K
Tri-Clamp Connection acc. ASME 1-1/2 in. PN 40			(Note: 1)								M
Tri-Clamp Connection acc. ASME 2 in. PN 40			(Note: 1)								N
Tri-Clamp Connection acc. ASME 3 in. PN 25			(Note: 1)								P
Varivent for pipes DN 25, PN 25			(Note: 1)								R
Varivent for pipes DN 40 ... DN 125, PN 25			(Note: 1)								S
Neumo-Biocontrol G50			(Note: 1)								T
Neumo-Biocontrol G65			(Note: 1)								U
DRD flange, D = 65 mm			(Note: 1)								Y

Model 261GC/GG/GJ/GM/GN Gauge

Model 261AC/AG/AJ/AM/AN Absolute

Basic ordering information model 261AG Absolute Pressure Transmitter			X	X	X	X	X
Diaphragm Material (Process Connection) – 9th characters							
AISI 316L SST (1.4435)	NACE	S					
Fill Fluid – 10th characters							
Silicone oil				S			
Inert fluid	(Note: 2)			N			
White oil (FDA approved)	(Note: 3)			W			
Silicone oil for vacuum applications				L			
White oil (FDA approved), for vacuum applications	(Note: 3)			Y			
Gasket– 11th characters							
None	(Note: 4)				1		
Perbunan (max. 120 °C / 248 °F)	(Note: 5)				4		
Viton	(Note: 6)				3		
PTFE	(Note: 5)				2		
Electronic Housing Material / Electrical Connection – 12th characters							
AISI 316L SST (1.4404) / M16 x 1.5 (with cable gland made of plastic)	(Note: 7)					2	
AISI 316L SST (1.4404) / 1/2-14 NPT (without cable gland)							S
AISI 316L SST (1.4404) / M20 x 1.5 (with cable gland made of plastic)	(Note: 7)						T
AISI 316L SST (1.4404) / Harting Han Connector	(Note: 8)						3
AISI 316L SST (1.4404) / Miniature Connector	(Note: 8)						Z
Output – 13th characters							
HART digital communication and 4 ... 20 mA (Additional options not requested)	(Note: 10)						H
HART digital communication and 4 ... 20 mA (Additional options to be ordered by additional ordering code)	(Note: 9)						1

Additional ordering information for model 261AG

Add one or more 2-digit code(s) after the basic ordering information to select all required options.

	XX	XX	XX	XX	XX	XX	XX
Explosion Protection Certification							
Factory Mutual (FM) - Intrinsically Safe (Note: 11)	EA						
Canadian Standard Association (CSA) - Intrinsically Safe (Note: 11)	ED						
ATEX Group II Category 1/2 G - Intrinsic Safety EEx ia	EH						
ATEX Group II Category 1/2 G and 1/2 D - Intrinsic Safety EEx ia (without Cable Gland) (Note: 11)	EL						
IECEX Ex ia IIC T6 + Ex nA IIC T6, Gas	ER						
IECEX Ex ia IIC T6 + Ex nA IIC T6 + Ex tb, Gas & Dust	ES						
GOST Russia - EEx ia	W1						
GOST Kazakhstan - EEx ia	W3						
GOST Ukraine - EEx ia	WA						
GOST Belarus - EEx ia	WG						
NEPSI Ex ia IIC T-T6 Gas	X3						
NEPSI Ex ia IIC T-T6 Gas & Dust	X4						
Integrated Digital Display (LCD)							
With integrated LCD display		L1					
Electronic Housing: Ground Terminal							
Housing with external grounding terminal			AA				
Electronic Housing: Cable Gland							
Cable Gland M16 x 1.5 / M20 x 1.5 and atmosphere ventilation of metal				AB			
Applications: Oxygen							
Oil- and grease-free, for oxygen applications (O2) (Pmax = 21 MPa / 210 bar / 3045 psi, Tmax = 60 °C / 140 °F) (Note: 12)					P1		
Applications: Electropolished							
Process connection electropolished, Ra ≤ 0.5 μm						P5	
Operating Instruction Language							
German							M1
Italian							M2
Spanish							M3
French							M4
English							M5
Swedish							M7
Finnish							M8
Russian							MB
Dutch							MD

Model 261GC/GG/GJ/GM/GN Gauge

Model 261AC/AG/AJ/AM/AN Absolute

Additional ordering information for model 261AG	XX	XX	XX	XX	XX	XX	XX	XX	XX	XX	XX
Additional Tag Plate											
Stainless steel	I1										
Certificates: 3.1 Calibration											
Inspection certificate 3.1 acc. EN 10204 of calibration		C1									
Certificates: 3.1 Cleanliness Stage											
Inspection certificate 3.1 acc. EN 10204 of cleanliness stage			C3								
Certificates: 3.1 Helium Leakage Test											
Inspection certificate 3.1 acc. EN 10204 of helium leakage test of the sensor module				C4							
Certificates: 3.1 Pressure Test											
Inspection certificate 3.1 acc. EN 10204 of pressure test					C5						
Certificates: 2.1 Instrument Design											
Declaration of compliance with the order 2.1 acc. EN 10204 for instrument design						C6					
Certificates: SIL2											
SIL2 - Declaration of Conformity								CL			
Calibration Record											
Calibration record									CB		
Separate calibration record									CC		
Certificates: 3-A Approval											
3-A Approval										CN	
Certificates: MVO Approval											
MVO approval							(Note: 13)				CR
Certificates: GOST											
GOST Russia - Without Explosion Protection											WC
GOST Kazakhstan - Without Explosion Protection											WD
GOST Ukraine - Without Explosion Protection											WE
GOST Belarus - Without Explosion Protection											WF

Additional ordering information for model 261AG			XX	XX	XX	XX
Material: 2.1 Compliance						
Certificate of compliance with the order 2.1 acc. EN 10204 for process wetted parts			H1			
Material: 3.1 Inspection						
Inspection certificate 3.1 acc. EN 10204 of process wetted parts			(Note: 14)	H3		
Material: 2.2 Test Report						
Test report 2.2 acc. EN 10204 of the pressure bearing and process wetted parts					H4	
Connector Type						
Miniature connector M12 x 1 (without mating plug)						U2
Harting Han 8D (8U) - Straight entry			(Note: 15)			U3

- Note 1: Available with 3-A approval
Note 2: Suitable for oxygen applications
Note 3: Suitable for food applications
Note 4: For all connections except dairy thread
Note 5: Only for dairy thread, exception: no sealing will be supplied for 3-A approval
Note 6: Only for DRD flange
Note 7: With Cable Gland made of Plastic
Note 8: Select connector with additional ordering code
Note 9: Additional options to be ordered by additional ordering code
Note 10: Additional options not requested / Not available for electrical connection with connector
Note 11: Not available with electrical connection with connector
Note 12: Only available with inert fill
Note 13: Only with Fill Fluid White oil
Note 14: Minor parts with factory certificate acc. EN 10204
Note 15: Only for electrical connection with Harting Han connector

Standard delivery scope (changes possible with additional ordering code)

- For general-purpose applications (no Ex applications)
- No display, no mounting bracket
- English-language operating instructions; English and German-language labels
- Configuration with kPa and °C units
- No test, inspection, or material certificates

Unless otherwise specified prior to manufacture, the customer shall be responsible for the selection of suitable parts that make contact with the medium and appropriate filling fluids in order to ensure compatibility with the relevant process medium.

Model 261GC/GG/GJ/GM/GN Gauge Model 261AC/AG/AJ/AM/AN Absolute

Basic ordering information 261GJ Gauge Pressure Transmitters

Select one character or set of characters from each category and specify complete catalog number.

Refer to additional ordering information and specify one or more codes for each transmitter if additional options are required.

Base model – 1 st to 5 th characters			261GJ	X	X	X	X	X	X	X
Gauge pressure transmitter, with direct mount in-line seal, base accuracy 0.1 %										
Sensor - Span Limits – 6 th characters										continued see next page
40 kPa	400 mbar	160 in. H2O (300 mm Hg)		F						
250 kPa	2500 mbar	1000 in. H2O (1875 mm Hg)		L						
1000 kPa	10 bar	145 psi		D						
3000 kPa	30 bar	435 psi		U						
10000 kPa	100 bar	1450 psi		R						
60000 kPa	600 bar	8700 psi		V						
Diaphragm Material / Fill Fluid (Sensor) – 7 th characters										
Front bonded diaphragm		Silicone oil						R		
Front bonded diaphragm		Inert fluid						2		
Front bonded diaphragm		White oil	(Note: 1)					6		
Process Connection – 8 th characters										
Dairy Thread DIN 11851, DN 25, PN 40			(Note: 2)							E
Dairy Thread DIN 11851, DN 40, PN 40			(Note: 2)							F
Dairy Thread DIN 11851, DN 50, PN 25			(Note: 2)							G
DN 1 in. PN 40, Tri-Clamp, for pipes acc. ASME			(Note: 2)							H
DN 1-1/2 in. PN 40, Tri-Clamp, for pipes acc. ASME			(Note: 2)							J
DN 2 in. PN 40, Tri-Clamp, for pipes acc. ASME			(Note: 2)							K
DN 25 / ASME 1 in.										A
DN 40										B
DN 50 / ASME 2 in.										C
DN 80 / ASME 3 in.										D

Basic ordering information model 261GJ Gauge Pressure Transmitter			X	X	X	X
Diaphragm Material (Process Connection) – 9th characters						
AISI 316L SST (1.4435), NACE	NACE	R				
Fill Fluid – 10th characters						
Silicone oil				S		
Inert fluid		(Note: 3)		N		
White oil (FDA approved)		(Note: 4)		W		
Silicone oil for vacuum applications				L		
White oil (FDA approved), for vacuum applications		(Note: 4)		Y		
Electronic Housing Material / Electrical Connection – 11th characters						
AISI 316L SST (1.4404) / M16 x 1.5 (with cable gland made of plastic)		(Note: 5)			2	
AISI 316L SST (1.4404) / 1/2-14 NPT (without cable gland)					S	
AISI 316L SST (1.4404) / M20 x 1.5 (with cable gland made of plastic)		(Note: 5)			T	
AISI 316L SST (1.4404) / Harting Han Connector		(Note: 6)			3	
AISI 316L SST (1.4404) / Miniature Connector		(Note: 6)			Z	
Output – 12th characters						
HART digital communication and 4 ... 20 mA (Additional options not requested)		(Note: 8)				H
HART digital communication and 4 ... 20 mA (Additional options to be ordered by additional ordering code)		(Note: 7)				1

Model 261GC/GG/GJ/GM/GN Gauge

Model 261AC/AG/AJ/AM/AN Absolute

Additional ordering information for model 261GJ

Add one or more 2-digit code(s) after the basic ordering information to select all required options.

	XX	XX	XX	XX	XX	XX
Explosion Protection Certification						
Factory Mutual (FM) - Intrinsically Safe (Note: 9)	EA					
Canadian Standard Association (CSA) - Intrinsically Safe (Note: 9)	ED					
ATEX Group II Category 1/2 G - Intrinsic Safety EEx ia	EH					
ATEX Group II Category 1/2 G and 1/2 D - Intrinsic Safety EEx ia (without Cable Gland) (Note: 9)	EL					
IECEX Ex ia IIC T6 + Ex nA IIC T6, Gas	ER					
IECEX Ex ia IIC T6 + Ex nA IIC T6 + Ex tb, Gas & Dust	ES					
GOST Russia - EEx ia	W1					
GOST Kazakhstan - EEx ia	W3					
GOST Ukraine - EEx ia	WA					
GOST Belarus - EEx ia	WG					
NEPSI Ex ia IIC T-T6 Gas	X3					
NEPSI Ex ia IIC T-T6 Gas & Dust	X4					
Integrated Digital Display (LCD)						
With integrated LCD display		L1				
Electronic Housing: Ground Terminal						
Housing with external grounding terminal			AA			
Electronic Housing: Cable Gland						
Cable Gland M16 x 1.5 / M20 x 1.5 and atmosphere ventilation of metal				AB		
Applications: Oxygen						
Oil- and grease-free, for oxygen applications (O2) (Pmax = 21 MPa / 210 bar / 3045 psi, Tmax = 60 °C / 140 °F) (Note: 10)					P1	
Operating Instruction Language						
German						M1
Italian						M2
Spanish						M3
French						M4
English						M5
Swedish						M7
Finnish						M8
Russian						MB
Dutch						MD

Additional ordering information for model 261GJ	XX	XX	XX	XX	XX	XX	XX	XX	XX	XX	XX	XX
Additional Tag Plate												
Stainless steel	I1											
Certificates: 3.1 Calibration												
Inspection certificate 3.1 acc. EN 10204 of calibration		C1										
Certificates: 3.1 Cleanliness Stage												
Inspection certificate 3.1 acc. EN 10204 of cleanliness stage			C3									
Certificates: 3.1 Helium Leakage Test												
Inspection certificate 3.1 acc. EN 10204 of helium leakage test of the sensor module				C4								
Certificates: 3.1 Pressure Test												
Inspection certificate 3.1 acc. EN 10204 of pressure test					C5							
Certificates: 2.1 Instrument Design												
Declaration of compliance with the order 2.1 acc. EN 10204 for instrument design						C6						
Certificates: SIL2												
SIL2 - Declaration of Conformity								CL				
Calibration Record												
Calibration record									CB			
Separate calibration record									CC			
Certificates: 3-A Approval												
3-A Approval										CN		
Certificates: MVO Approval												
MVO approval						(Note: 11)					CR	
Certificates: GOST												
GOST Russia - Without Explosion Protection												WC
GOST Kazakhstan - Without Explosion Protection												WD
GOST Ukraine - Without Explosion Protection												WE
GOST Belarus - Without Explosion Protection												WF

Model 261GC/GG/GJ/GM/GN Gauge

Model 261AC/AG/AJ/AM/AN Absolute

Additional ordering information for model 261GJ		XX	XX	XX	XX
Material: 2.1 Compliance					
Certificate of compliance with the order 2.1 acc. EN 10204 for process wetted parts	H1				
Material: 3.1 Inspection					
Inspection certificate 3.1 acc. EN 10204 of process wetted parts (Note: 12)		H3			
Material: 2.2 Test Report					
Test report 2.2 acc. EN 10204 of the pressure bearing and process wetted parts				H4	
Connector Type					
Miniature connector M12 x 1 (without mating plug)					U2
Harting Han 8D (8U) - Straight entry (Note: 18)					U3

- Note 1: Necessary for 3-A approval
- Note 2: Available with 3-A approval
- Note 3: Suitable for oxygen applications
- Note 4: Suitable for food applications
- Note 5: With Cable Gland made of Plastic
- Note 6: Select connector with additional ordering code
- Note 7: Additional options to be ordered by additional ordering code
- Note 8: Additional options not requested / Not available for electrical connection with connector
- Note 9: Not available with electrical connection with connector
- Note 10: Only available with inert fill
- Note 11: Only with Fill Fluid White oil
- Note 12: Minor parts with factory certificate acc. EN 10204
- Note 13: Only for electrical connection with Harting Han connector and HART output

Standard delivery scope (changes possible with additional ordering code)

- For general-purpose applications (no Ex applications)
- No display, no mounting bracket
- English-language operating instructions; English and German-language labels
- Configuration with kPa and °C units
- No test, inspection, or material certificates

Unless otherwise specified prior to manufacture, the customer shall be responsible for the selection of suitable parts that make contact with the medium and appropriate filling fluids in order to ensure compatibility with the relevant process medium.

Basic ordering information 261AJ Absolute Pressure Transmitters

Select one character or set of characters from each category and specify complete catalog number.

Refer to additional ordering information and specify one or more codes for each transmitter if additional options are required.

Base model – 1 st to 5 th characters	261AJ	X	X	X	X	X	X	X
Absolute pressure transmitter, with direct mount In-line seal, base accuracy 0.1 %								
Sensor - Span Limits – 6 th characters								continued see next page
40 kPa 400 mbar 160 in. H2O (300 mm Hg)								F
250 kPa 2500 mbar 1000 in. H2O (1875 mm Hg)								L
1000 kPa 10 bar 145 psi								D
3000 kPa 30 bar 435 psi								U
10000 kPa 100 bar 1450 psi								R
Diaphragm Material / Fill Fluid (Sensor) – 7 th characters								
Front bonded diaphragm Silicone oil								R
Front bonded diaphragm Inert fluid								2
Front bonded diaphragm White oil	(Note: 1)							6
Process Connection – 8 th characters								
Dairy Thread DIN 11851, DN 25, PN 40	(Note: 2)							E
Dairy Thread DIN 11851, DN 40, PN 40	(Note: 2)							F
Dairy Thread DIN 11851, DN 50, PN 25	(Note: 2)							G
DN 1 in. PN 40, Tri-Clamp, for pipes acc. ASME	(Note: 2)							H
DN 1-1/2 in. PN 40, Tri-Clamp, for pipes acc. ASME	(Note: 2)							J
DN 2 in. PN 40, Tri-Clamp, for pipes acc. ASME	(Note: 2)							K
DN 25 / ASME 1 in.								A
DN 40								B
DN 50 / ASME 2 in.								C
DN 80 / ASME 3 in.								D

Model 261GC/GG/GJ/GM/GN Gauge

Model 261AC/AG/AJ/AM/AN Absolute

Basic ordering information model 261AJ Absolute Pressure Transmitter		X	X	X	X
Diaphragm Material (Process Connection) – 9th characters					
AISI 316L SST (1.4435), NACE	NACE	R			
Fill Fluid – 10th characters					
Silicone oil			S		
Inert fluid	(Note: 3)		N		
White oil (FDA approved)	(Note: 4)		W		
Silicone oil for vacuum applications			L		
White oil (FDA approved), for vacuum applications	(Note: 4)		Y		
Electronic Housing Material / Electrical Connection – 11th characters					
AISI 316L SST (1.4404) / M16 x 1.5 (with cable gland made of plastic)	(Note: 5)			2	
AISI 316L SST (1.4404) / 1/2-14 NPT (without cable gland)				S	
AISI 316L SST (1.4404) / M20 x 1.5 (with cable gland made of plastic)	(Note: 5)			T	
AISI 316L SST (1.4404) / Harting Han Connector	(Note: 6)			3	
AISI 316L SST (1.4404) / Miniature Connector	(Note: 6)			Z	
Output – 12th characters					
HART digital communication and 4 ... 20 mA (Additional options not requested)	(Note: 8)				H
HART digital communication and 4 ... 20 mA (Additional options to be ordered by additional ordering code)	(Note: 7)				1

Additional ordering information for model 261AJ

Add one or more 2-digit code(s) after the basic ordering information to select all required options.

	XX	XX	XX	XX	XX	XX
Explosion Protection Certification						
Factory Mutual (FM) - Intrinsically Safe (Note: 9)	EA					
Canadian Standard Association (CSA) - Intrinsically Safe (Note: 9)	ED					
ATEX Group II Category 1/2 G - Intrinsic Safety EEx ia	EH					
ATEX Group II Category 1/2 G and 1/2 D - Intrinsic Safety EEx ia (without Cable Gland) (Note: 9)	EL					
IECEX Ex ia IIC T6 + Ex nA IIC T6, Gas	ER					
IECEX Ex ia IIC T6 + Ex nA IIC T6 + Ex tb, Gas & Dust	ES					
GOST Russia - EEx ia	W1					
GOST Kazakhstan - EEx ia	W3					
GOST Ukraine - EEx ia	WA					
GOST Belarus - EEx ia	WG					
NEPSI Ex ia IIC T-T6 Gas	X3					
NEPSI Ex ia IIC T-T6 Gas & Dust	X4					
Integrated Digital Display (LCD)						
With integrated LCD display		L1				
Electronic Housing: Ground Terminal						
Housing with external grounding terminal			AA			
Electronic Housing: Cable Gland						
Cable Gland M16 x 1.5 / M20 x 1.5 and atmosphere ventilation of metal				AB		
Applications: Oxygen						
Oil- and grease-free, for oxygen applications (O2) (Pmax = 21 MPa / 210 bar / 3045 psi, Tmax = 60 °C / 140 °F) (Note: 10)					P1	
Operating Instruction Language						
German						M1
Italian						M2
Spanish						M3
French						M4
English						M5
Swedish						M7
Finnish						M8
Russian						MB
Dutch						MD

Model 261GC/GG/GJ/GM/GN Gauge

Model 261AC/AG/AJ/AM/AN Absolute

Zusätzliche Bestellinformationen für Modell 261AJ	XX	XX	XX	XX	XX	XX	XX	XX	XX	XX	XX
Additional Tag Plate											
Stainless steel	I1										
Certificates: 3.1 Calibration											
Inspection certificate 3.1 acc. EN 10204 of calibration		C1									
Certificates: 3.1 Cleanliness Stage											
Inspection certificate 3.1 acc. EN 10204 of cleanliness stage			C3								
Certificates: 3.1 Helium Leakage Test											
Inspection certificate 3.1 acc. EN 10204 of helium leakage test of the sensor module				C4							
Certificates: 3.1 Pressure Test											
Inspection certificate 3.1 acc. EN 10204 of pressure test					C5						
Certificates: 2.1 Instrument Design											
Declaration of compliance with the order 2.1 acc. EN 10204 for instrument design						C6					
Certificates: SIL2											
SIL2 - Declaration of Conformity								CL			
Calibration Record											
Calibration record									CB		
Separate calibration record									CC		
Certificates: 3-A Approval											
3-A Approval										CN	
Certificates: MVO Approval											
MVO approval							(Note: 11)				CR
Certificates: GOST											
GOST Russia - Without Explosion Protection											WC
GOST Kazakhstan - Without Explosion Protection											WD
GOST Ukraine - Without Explosion Protection											WE
GOST Belarus - Without Explosion Protection											WF

Additional ordering information for model 261AJ			XX	XX	XX	XX
Material: 2.1 Compliance						
Certificate of compliance with the order 2.1 acc. EN 10204 for process wetted parts			H1			
Material: 3.1 Inspection						
Inspection certificate 3.1 acc. EN 10204 of process wetted parts			(Note: 12)	H3		
Material: 2.2 Test Report						
Test report 2.2 acc. EN 10204 of the pressure bearing and process wetted parts					H4	
Connector Type						
Miniature connector M12 x 1 (without mating plug)						U2
Harting Han 8D (8U) - Straight entry			(Note: 13)			U3

- Note 1: Necessary for 3-A approval
Note 2: Available with 3-A approval
Note 3: Suitable for oxygen applications
Note 4: Suitable for food applications
Note 5: With Cable Gland made of Plastic
Note 6: Select connector with additional ordering code
Note 7: Additional options to be ordered by additional ordering code
Note 8: Additional options not requested / Not available for electrical connection with connector
Note 9: Not available with electrical connection with connector
Note 10: Only available with inert fill
Note 11: Only with Fill Fluid White oil
Note 12: Minor parts with factory certificate acc. EN 10204
Note 13: Only for electrical connection with Harting Han connector and HART output

Standard delivery scope (changes possible with additional ordering code)

- For general-purpose applications (no Ex applications)
- No display, no mounting bracket
- English-language operating instructions; English and German-language labels
- Configuration with kPa and °C units
- No test, inspection, or material certificates

Unless otherwise specified prior to manufacture, the customer shall be responsible for the selection of suitable parts that make contact with the medium and appropriate filling fluids in order to ensure compatibility with the relevant process medium.

Model 261GC/GG/GJ/GM/GN Gauge Model 261AC/AG/AJ/AM/AN Absolute

Basic ordering information 261GM Gauge Pressure Transmitters

Select one character or set of characters from each category and specify complete catalog number.

Refer to additional ordering information and specify one or more codes for each transmitter if additional options are required.

Base model – 1 st to 5 th characters	261GM	X	X	X	X	X	X	X	X
Gauge pressure transmitter, with off-line flange DN 25 / 1 in., base accuracy 0.1 %									
Sensor - Span Limits – 6 th characters									continued see next page
40 kPa 400 mbar 160 in. H2O (300 mm Hg)									F
250 kPa 2500 mbar 1000 in. H2O (1875 mm Hg)									L
1000 kPa 10 bar 145 psi									D
3000 kPa 30 bar 435 psi									U
10000 kPa 100 bar 1450 psi									R
60000 kPa 600 bar 8700 psi									V
Diaphragm Material / Fill Fluid (Sensor) – 7 th characters									
Front bonded diaphragm Silicone oil									R
Size / Mounting Flange Rating – 8 th characters									
1 in. / ASME CL 150									A
1 in. / ASME CL 300									C
1 in. / ASME CL 600									E
1 in. / ASME CL 1500									K
DN 25 // DIN PN 10 / PN 40									H
DN 25 // DIN PN 63 / PN 100									L
DN 25 / DIN PN 160									T
DN 25 / DIN PN 250									V

Basic ordering information model 261GM Gauge Pressure Transmitter					X	X	X	X	X
Mounting Flange Material / Seat Form (Flange) – 9th characters									
AISI 316L SST (1.4404)	Form RF (Raised Face) - smooth finish	NACE	(Note: 2)	E					
AISI 316L SST (1.4404)	EN 1092-B1 (DIN 2526 Form D)	NACE	(Note: 1)	4					
AISI 316L SST (1.4404)	EN 1092-D (DIN 2512-N)	NACE	(Note: 3)	N					
Diaphragm Material (Process Connection) – 10th characters									
AISI 316L SST (1.4435)		NACE				S			
Fill Fluid – 11th characters									
Silicone oil		NACE					S		
Silicone oil for vacuum applications							L		
Electronic Housing Material / Electrical Connection – 12th characters									
AISI 316L SST (1.4404) / M16 x 1.5 (with cable gland made of plastic)			(Note: 4)					2	
AISI 316L SST (1.4404) / 1/2-14 NPT (without cable gland)									S
AISI 316L SST (1.4404) / M20 x 1.5 (with cable gland made of plastic)			(Note: 4)						T
AISI 316L SST (1.4404) / Harting Han Connector			(Note: 5)						3
AISI 316L SST (1.4404) / Miniature Connector			(Note: 5)						Z
Output – 13th characters									
HART digital communication and 4 ... 20 mA (Additional options not requested)			(Note: 7)						H
HART digital communication and 4 ... 20 mA (Additional options to be ordered by additional ordering code)			(Note: 6)						1

Model 261GC/GG/GJ/GM/GN Gauge

Model 261AC/AG/AJ/AM/AN Absolute

Additional ordering information for model 261GM

Add one or more 2-digit code(s) after the basic ordering information to select all required options.

	XX	XX	XX	XX	XX
Explosion Protection Certification					
Factory Mutual (FM) - Intrinsically Safe (Note: 8)	EA				
Canadian Standard Association (CSA) - Intrinsically Safe (Note: 8)	ED				
ATEX Group II Category 1/2 G - Intrinsic Safety EEx ia	EH				
ATEX Group II Category 1/2 G and 1/2 D - Intrinsic Safety EEx ia (without Cable Gland) (Note: 8)	EL				
IECEX Ex ia IIC T6 + Ex nA IIC T6, Gas	ER				
IECEX Ex ia IIC T6 + Ex nA IIC T6 + Ex tb, Gas & Dust	ES				
GOST Russia - EEx ia	W1				
GOST Kazakhstan - EEx ia	W3				
GOST Ukraine - EEx ia	WA				
GOST Belarus - EEx ia	WG				
NEPSI Ex ia IIC T-T6 Gas	X3				
NEPSI Ex ia IIC T-T6 Gas & Dust	X4				
Integrated Digital Display (LCD)					
With integrated LCD display		L1			
Electronic Housing: Ground Terminal					
Housing with external grounding terminal			AA		
Electronic Housing: Cable Gland					
Cable Gland M16 x 1.5 / M20 x 1.5 and atmosphere ventilation of metal				AB	
Operating Instruction Language					
German					M1
Italian					M2
Spanish					M3
French					M4
English					M5
Swedish					M7
Finnish					M8
Russian					MB
Dutch					MD

Additional ordering information for model 261GM	XX	XX	XX	XX	XX	XX	XX	XX	XX	XX
Additional Tag Plate										
Stainless steel	I1									
Certificates: 3.1 Calibration										
Inspection certificate 3.1 acc. EN 10204 of calibration	C1									
Certificates: 3.1 Cleanliness Stage										
Inspection certificate 3.1 acc. EN 10204 of cleanliness stage		C3								
Certificates: 3.1 Helium Leakage Test										
Inspection certificate 3.1 acc. EN 10204 of helium leakage test of the sensor module			C4							
Certificates: 3.1 Pressure Test										
Inspection certificate 3.1 acc. EN 10204 of pressure test					C5					
Certificates: 2.1 Instrument Design										
Declaration of compliance with the order 2.1 acc. EN 10204 for instrument design						C6				
Certificates: SIL2										
SIL2 - Declaration of Conformity								CL		
Certificates: MVO Approval										
MVO approval						(Note: 9)			CR	
Calibration Record										
Calibration record										CB
Separate calibration record										CC
Certificates: GOST										
GOST Russia - Without Explosion Protection										WC
GOST Kazakhstan - Without Explosion Protection										WD
GOST Ukraine - Without Explosion Protection										WE
GOST Belarus - Without Explosion Protection										WF

Model 261GC/GG/GJ/GM/GN Gauge

Model 261AC/AG/AJ/AM/AN Absolute

Additional ordering information for model 261GM		XX	XX	XX	XX
Material: 2.1 Compliance					
Certificate of compliance with the order 2.1 acc. EN 10204 for process wetted parts		H1			
Material: 3.1 Inspection					
Inspection certificate 3.1 acc. EN 10204 of process wetted parts		(Note: 10)	H3		
Material: 2.2 Test Report					
Test report 2.2 acc. EN 10204 of the pressure bearing and process wetted parts				H4	
Connector Type					
Miniature connector M12 x 1 (without mating plug)					U2
Harting Han 8D (8U) - Straight entry		(Note: 11)			U3

- Note 1: Only with size / mounting flange rating according to DIN
 Note 2: Only for size / mounting flange rating according to ASME
 Note 3: Only for size / mounting flange rating according to DIN and only for 10 / 40 bar
 Note 4: With Cable Gland made of Plastic
 Note 5: Select connector with additional ordering code
 Note 6: Additional options to be ordered by additional ordering code
 Note 7: Additional options not requested / Not available for electrical connection with connector
 Note 8: Not available with electrical connection with connector
 Note 9: Only with Fill Fluid White oil
 Note 10: Minor parts with factory certificate acc. EN 10204
 Note 11: Only for electrical connection with Harting Han connector

Standard delivery scope (changes possible with additional ordering code)

- For general-purpose applications (no Ex applications)
- No display, no mounting bracket
- English-language operating instructions; English and German-language labels
- Configuration with kPa and °C units
- No test, inspection, or material certificates

Unless otherwise specified prior to manufacture, the customer shall be responsible for the selection of suitable parts that make contact with the medium and appropriate filling fluids in order to ensure compatibility with the relevant process medium.

Basic ordering information 261AM Absolute Pressure Transmitters

Select one character or set of characters from each category and specify complete catalog number.

Refer to additional ordering information and specify one or more codes for each transmitter if additional options are required.

Base model – 1 st to 5 th characters	261AM	X	X	X	X	X	X	X	X
Absolute pressure transmitter, with off-line flange DN 25 / 1 in., base accuracy 0.1 %									
Sensor - Span Limits – 6 th characters									continued see next page
40 kPa 400 mbar 160 in. H2O (300 mm Hg)									F
250 kPa 2500 mbar 1000 in. H2O (1875 mm Hg)									L
1000 kPa 10 bar 145 psi									D
3000 kPa 30 bar 435 psi									U
10000 kPa 100 bar 1450 psi									R
Diaphragm Material / Fill Fluid (Sensor) – 7 th characters									
Front bonded diaphragm Silicone oil									R
Size / Mounting Flange Rating – 8 th characters									
1 in. / ASME CL 150									A
1 in. / ASME CL 300									C
1 in. / ASME CL 600									E
1 in. / ASME CL 1500									K
DN 25 // DIN PN 10 / PN 40									H
DN 25 // DIN PN 63 / PN 100									L
DN 25 / DIN PN 160									T
DN 25 / DIN PN 250									V

Model 261GC/GG/GJ/GM/GN Gauge

Model 261AC/AG/AJ/AM/AN Absolute

Basic ordering information model 261AM Absolute Pressure Transmitter					X	X	X	X	X
Mounting Flange Material / Seat Form (Flange) – 9 th characters									
AISI 316L SST (1.4404)	Form RF (Raised Face) - smooth finish	NACE	(Note: 2)	E					
AISI 316L SST (1.4404)	EN 1092-B1 (DIN 2526 Form D)	NACE	(Note: 1)	4					
AISI 316L SST (1.4404)	EN 1092-D (DIN 2512-N)	NACE	(Note: 3)	N					
Diaphragm Material (Process Connection) – 10 th characters									
AISI 316L SST (1.4435)		NACE				S			
Fill Fluid – 11 th characters									
Silicone oil		NACE					S		
Silicone oil for vacuum applications							L		
Electronic Housing Material / Electrical Connection – 12 th characters									
AISI 316L SST (1.4404) / M16 x 1.5 (with cable gland made of plastic)			(Note: 4)					2	
AISI 316L SST (1.4404) / 1/2-14 NPT (without cable gland)								S	
AISI 316L SST (1.4404) / M20 x 1.5 (with cable gland made of plastic)								T	
AISI 316L SST (1.4404) / Harting Han Connector			(Note: 5)					3	
AISI 316L SST (1.4404) / Miniature Connector			(Note: 5)					Z	
Output – 13 th characters									
HART digital communication and 4 ... 20 mA (Additional options not requested)			(Note: 7)						H
HART digital communication and 4 ... 20 mA (Additional options to be ordered by additional ordering code)			(Note: 6)						1

Additional ordering information for model 261AM

Add one or more 2-digit code(s) after the basic ordering information to select all required options.

	XX	XX	XX	XX	XX
Explosion Protection Certification					
Factory Mutual (FM) - Intrinsicly Safe (Note: 8)	EA				
Canadian Standard Association (CSA) - Intrinsicly Safe (Note: 8)	ED				
ATEX Group II Category 1/2 G - Intrinsic Safety EEx ia	EH				
ATEX Group II Category 1/2 G and 1/2 D - Intrinsic Safety EEx ia (without Cable Gland) (Note: 8)	EL				
IECEX Ex ia IIC T6 + Ex nA IIC T6, Gas	ER				
IECEX Ex ia IIC T6 + Ex nA IIC T6 + Ex tb, Gas & Dust	ES				
GOST Russia - EEx ia	W1				
GOST Kazakhstan - EEx ia	W3				
GOST Ukraine - EEx ia	WA				
GOST Belarus - EEx ia	WG				
NEPSI Ex ia IIC T-T6 Gas	X3				
NEPSI Ex ia IIC T-T6 Gas & Dust	X4				
Integrated Digital Display (LCD)					
With integrated LCD display		L1			
Electronic Housing: Ground Terminal					
Housing with external grounding terminal			AA		
Electronic Housing: Cable Gland					
Cable Gland M16 x 1.5 / M20 x 1.5 and atmosphere ventilation of metal				AB	
Operating Instruction Language					
German					M1
Italian					M2
Spanish					M3
French					M4
English					M5
Swedish					M7
Finnish					M8
Russian					MB
Dutch					MD

Model 261GC/GG/GJ/GM/GN Gauge Model 261AC/AG/AJ/AM/AN Absolute

Additional ordering information for model 261AM	XX	XX	XX	XX	XX	XX	XX	XX	XX	XX
Additional Tag Plate										
Stainless steel	I1									
Certificates: 3.1 Calibration										
Inspection certificate 3.1 acc. EN 10204 of calibration		C1								
Certificates: 3.1 Cleanliness Stage										
Inspection certificate 3.1 acc. EN 10204 of cleanliness stage			C3							
Certificates: 3.1 Helium Leakage Test										
Inspection certificate 3.1 acc. EN 10204 of helium leakage test of the sensor module				C4						
Certificates: 3.1 Pressure Test										
Inspection certificate 3.1 acc. EN 10204 of pressure test					C5					
Certificates: 2.1 Instrument Design										
Declaration of compliance with the order 2.1 acc. EN 10204 for instrument design						C6				
Certificates: SIL2										
SIL2 - Declaration of Conformity								CL		
Certificates: MVO Approval										
MVO approval						(Note: 9)			CR	
Calibration Record										
Calibration record										CB
Separate calibration record										CC
Certificates: GOST										
GOST Russia - Without Explosion Protection										WC
GOST Kazakhstan - Without Explosion Protection										WD
GOST Ukraine - Without Explosion Protection										WE
GOST Belarus - Without Explosion Protection										WF

Additional ordering information for model 261AM		XX	XX	XX	XX
Material: 2.1 Compliance					
Certificate of compliance with the order 2.1 acc. EN 10204 for process wetted parts	H1				
Material: 3.1 Inspection					
Inspection certificate 3.1 acc. EN 10204 of process wetted parts	(Note: 10)	H3			
Material: 2.2 Test Report					
Test report 2.2 acc. EN 10204 of the pressure bearing and process wetted parts				H4	
Connector Type					
Miniature connector M12 x 1 (without mating plug)					U2
Harting Han 8D (8U) - Straight entry	(Note: 11)				U3

- Note 1: Only for size / mounting flange rating according to DIN
Note 2: Only for size / mounting flange rating according to ASME
Note 3: Only for size / mounting flange rating according to DIN and only for 10 / 40 bar
Note 4: With Cable Gland made of Plastic
Note 5: Select connector with additional ordering code
Note 6: Additional options to be ordered by additional ordering code
Note 7: Additional options not requested / Not available for electrical connection with connector
Note 8: Not available with electrical connection with connector
Note 9: Only with Fill Fluid White oil
Note 10: Minor parts with factory certificate acc. EN 10204
Note 11: Only for electrical connection with Harting Han connector

Standard delivery scope (changes possible with additional ordering code)

- For general-purpose applications (no Ex applications)
- No display, no mounting bracket
- English-language operating instructions; English and German-language labels
- Configuration with kPa and °C units
- No test, inspection, or material certificates

Unless otherwise specified prior to manufacture, the customer shall be responsible for the selection of suitable parts that make contact with the medium and appropriate filling fluids in order to ensure compatibility with the relevant process medium.

Model 261GC/GG/GJ/GM/GN Gauge Model 261AC/AG/AJ/AM/AN Absolute

Basic ordering information 261GN Gauge Pressure Transmitters

Select one character or set of characters from each category and specify complete catalog number.

Refer to additional ordering information and specify one or more codes for each transmitter if additional options are required.

Base model – 1 st to 5 th characters			261GN	X	X	X	X	X	X
Gauge pressure transmitter, process connection front-bonded diaphragm, base accuracy 0.1 %									
Sensor - Span Limits – 6 th characters									
250 kPa	2500 mbar	1000 in. H ₂ O (1875 mm Hg)		L					
1000 kPa	10 bar	145 psi		D					
3000 kPa	30 bar	435 psi		U					
10000 kPa	100 bar	1450 psi		R					
60000 kPa	600 bar	8700 psi		V					
Diaphragm Material / Fill Fluid (Sensor) – 7 th characters									
Front bonded diaphragm		Silicone oil		R					
Front bonded diaphragm		Inert fluid		2					
Front bonded diaphragm		White oil		6					
Process Connection – 8 th characters									
G 1 A / PN 600						1			
G 1-1/2 A / PN 600						2			
Diaphragm Material (Process Connection) – 9 th characters									
AISI 316L SST (1.4435)			NACE				S		
Fill Fluid – 10 th characters									
Silicone oil								S	
Inert fluid				(Note: 1)				N	
White oil (FDA approved)				(Note: 2)				W	
Silicone oil for vacuum applications								L	
White oil (FDA approved), for vacuum applications				(Note: 2)				Y	
Electronic Housing Material / Electrical Connection – 11 th characters									
AISI 316L SST (1.4404) / M16 x 1.5 (with cable gland made of plastic)				(Note: 3)					2
AISI 316L SST (1.4404) / 1/2-14 NPT (without cable gland)									S
AISI 316L SST (1.4404) / M20 x 1.5 (with cable gland made of plastic)				(Note: 3)					T
AISI 316L SST (1.4404) / Harting Han Connector				(Note: 4)					3
AISI 316L SST (1.4404) / Miniature Connector				(Note: 4)					Z
Output – 12 th characters									
HART digital communication and 4 ... 20 mA (Additional options not requested)				(Note: 6)					H
HART digital communication and 4 ... 20 mA (Additional options to be ordered by additional ordering code)				(Note: 5)					1

Additional ordering information for model 261GN

Add one or more 2-digit code(s) after the basic ordering information to select all required options.

	XX	XX	XX	XX	XX	XX
Explosion Protection Certification						
Factory Mutual (FM) - Intrinsically Safe (Note: 7)	EA					
Canadian Standard Association (CSA) - Intrinsically Safe (Note: 7)	ED					
ATEX Group II Category 1/2 G - Intrinsic Safety EEx ia	EH					
ATEX Group II Category 1/2 G and 1/2 D - Intrinsic Safety EEx ia (without Cable Gland) (Note: 7)	EL					
IECEX Ex ia IIC T6 + Ex nA IIC T6, Gas	ER					
IECEX Ex ia IIC T6 + Ex nA IIC T6 + Ex tb, Gas & Dust	ES					
GOST Russia - EEx ia	W1					
GOST Kazakhstan - EEx ia	W3					
GOST Ukraine - EEx ia	WA					
GOST Belarus - EEx ia	WG					
NEPSI Ex ia IIC T-T6 Gas	X3					
NEPSI Ex ia IIC T-T6 Gas & Dust	X4					
Integrated Digital Display (LCD)						
With integrated LCD display		L1				
Electronic Housing: Ground Terminal						
Housing with external grounding terminal			AA			
Electronic Housing: Cable Gland						
Cable Gland M16 x 1.5 / M20 x 1.5 and atmosphere ventilation of metal				AB		
Applications: Oxygen						
Oil- and grease-free, for oxygen applications (O2) (Pmax = 21 MPa / 210 bar / 3045 psi, Tmax = 60 °C / 140 °F) (Note: 8)					P1	
Operating Instruction Language						
German						M1
Italian						M2
Spanish						M3
French						M4
English						M5
Swedish						M7
Finnish						M8
Russian						MB
Dutch						MD

Model 261GC/GG/GJ/GM/GN Gauge

Model 261AC/AG/AJ/AM/AN Absolute

Additional ordering information for model 261GN	XX	XX	XX	XX	XX	XX	XX	XX	XX	XX
Additional Tag Plate										
Stainless steel	I1									
Certificates: 3.1 Calibration										
Inspection certificate 3.1 acc. EN 10204 of calibration		C1								
Certificates: 3.1 Cleanliness Stage										
Inspection certificate 3.1 acc. EN 10204 of cleanliness stage			C3							
Certificates: 3.1 Helium Leakage Test										
Inspection certificate 3.1 acc. EN 10204 of helium leakage test of the sensor module				C4						
Certificates: 3.1 Pressure Test										
Inspection certificate 3.1 acc. EN 10204 of pressure test					C5					
Certificates: 2.1 Instrument Design										
Declaration of compliance with the order 2.1 acc. EN 10204 for instrument design						C6				
Certificates: SIL2										
SIL2 - Declaration of Conformity								CL		
Calibration Record										
Calibration record									CB	
Separate calibration record									CC	
Certificates: MVO Approval										
MVO approval							(Note: 9)		CR	
Certificates: GOST										
GOST Russia - Without Explosion Protection										WC
GOST Kazakhstan - Without Explosion Protection										WD
GOST Ukraine - Without Explosion Protection										WE
GOST Belarus - Without Explosion Protection										WF

Additional ordering information for model 261GN			XX	XX	XX	XX
Material: 2.1 Compliance						
Certificate of compliance with the order 2.1 acc. EN 10204 for process wetted parts			H1			
Material: 3.1 Inspection						
Inspection certificate 3.1 acc. EN 10204 of process wetted parts			(Note: 10)	H3		
Material: 2.2 Test Report						
Test report 2.2 acc. EN 10204 of the pressure bearing and process wetted parts					H4	
Connector Type						
Miniature connector M12 x 1 (without mating plug)						U2
Harting Han 8D (8U) - Straight entry						U3

- Note 1: Suitable for oxygen applications
Note 2: Suitable for food applications
Note 3: With Cable Gland made of Plastic
Note 4: Select connector with additional ordering code
Note 5: Additional options to be ordered by additional ordering code
Note 6: Additional options not requested / Not available for electrical connection with connector
Note 7: Not available with electrical connection with connector
Note 8: Only available with inert fill
Note 9: Only with Fill Fluid White oil
Note 10: Minor parts with factory certificate acc. EN 10204

Standard delivery scope (changes possible with additional ordering code)

- For general-purpose applications (no Ex applications)
- No display, no mounting bracket
- English-language operating instructions; English and German-language labels
- Configuration with kPa and °C units
- No test, inspection, or material certificates

Unless otherwise specified prior to manufacture, the customer shall be responsible for the selection of suitable parts that make contact with the medium and appropriate filling fluids in order to ensure compatibility with the relevant process medium.

Model 261GC/GG/GJ/GM/GN Gauge

Model 261AC/AG/AJ/AM/AN Absolute

Basic ordering information 261AN Absolute Pressure Transmitters

Select one character or set of characters from each category and specify complete catalog number.

Refer to additional ordering information and specify one or more codes for each transmitter if additional options are required.

Base model – 1 st to 5 th characters			261AN	X	X	X	X	X	X	X
Absolute pressure transmitter, process connection front bonded diaphragm, base accuracy 0.1 %										
Sensor - Span Limits – 6 th characters										
250 kPa	2500 mbar	1000 in. H ₂ O (1875 mm Hg)		L						
1000 kPa	10 bar	145 psi		D						
3000 kPa	30 bar	435 psi		U						
10000 kPa	100 bar	1450 psi		R						
Diaphragm Material / Fill Fluid (Sensor) – 7 th characters										
Front bonded diaphragm		Silicone oil		R						
Front bonded diaphragm		Inert fluid		2						
Front bonded diaphragm		White oil		6						
Process Connection – 8 th characters										
G 1 A / PN 600						1				
G 1-1/2 A / PN 600						2				
Diaphragm Material (Process Connection) – 9 th characters										
AISI 316L SST (1.4435)			NACE				S			
Fill Fluid – 10 th characters										
Silicone oil								S		
Inert fluid					(Note: 1)			N		
White oil (FDA approved)					(Note: 2)			W		
Silicone oil for vacuum applications								L		
White oil (FDA approved), for vacuum applications					(Note: 2)			Y		
Electronic Housing Material / Electrical Connection – 11 th characters										
AISI 316L SST (1.4404) / M16 x 1.5 (with cable gland made of plastic)					(Note: 3)				2	
AISI 316L SST (1.4404) / 1/2-14 NPT (without cable gland)									S	
AISI 316L SST (1.4404) / M20 x 1.5 (with cable gland made of plastic)					(Note: 3)				T	
AISI 316L SST (1.4404) / Harting Han Connector					(Note: 4)				3	
AISI 316L SST (1.4404) / Miniature Connector					(Note: 4)				Z	
Output – 12 th characters										
HART digital communication and 4 ... 20 mA (Additional options not requested)					(Note: 6)					H
HART digital communication and 4 ... 20 mA (Additional options to be ordered by additional ordering code)					(Note: 5)					1

Additional ordering information for model 261AN

Add one or more 2-digit code(s) after the basic ordering information to select all required options.

	XX	XX	XX	XX	XX	XX
Explosion Protection Certification						
Factory Mutual (FM) - Intrinsicly Safe (Note: 7)	EA					
Canadian Standard Association (CSA) - Intrinsicly Safe (Note: 7)	ED					
ATEX Group II Category 1/2 G - Intrinsic Safety EEx ia	EH					
ATEX Group II Category 1/2 G and 1/2 D - Intrinsic Safety EEx ia (without Cable Gland) (Note: 7)	EL					
IECEX Ex ia IIC T6 + Ex nA IIC T6, Gas	ER					
IECEX Ex ia IIC T6 + Ex nA IIC T6 + Ex tb, Gas & Dust	ES					
GOST Russia - EEx ia	W1					
GOST Kazakhstan - EEx ia	W3					
GOST Ukraine - EEx ia	WA					
GOST Belarus - EEx ia	WG					
NEPSI Ex ia IIC T-T6 Gas	X3					
NEPSI Ex ia IIC T-T6 Gas & Dust	X4					
Integrated Digital Display (LCD)						
With integrated LCD display		L1				
Electronic Housing: Ground Terminal						
Housing with external grounding terminal			AA			
Electronic Housing: Cable Gland						
Cable Gland M16 x 1.5 / M20 x 1.5 and atmosphere ventilation of metal				AB		
Applications: Oxygen						
Oil- and grease-free, for oxygen applications (O2) (Pmax = 21 MPa / 210 bar / 3045 psi, Tmax = 60 °C / 140 °F) (Note: 8)					P1	
Operating Instruction Language						
German						M1
Italian						M2
Spanish						M3
French						M4
English						M5
Swedish						M7
Finnish						M8
Russian						MB
Dutch						MD

Model 261GC/GG/GJ/GM/GN Gauge

Model 261AC/AG/AJ/AM/AN Absolute

Additional ordering information for model 261AN	XX	XX	XX	XX	XX	XX	XX	XX	XX	XX
Additional Tag Plate										
Stainless steel	I1									
Certificates: 3.1 Calibration										
Inspection certificate 3.1 acc. EN 10204 of calibration		C1								
Certificates: 3.1 Cleanliness Stage										
Inspection certificate 3.1 acc. EN 10204 of cleanliness stage			C3							
Certificates: 3.1 Helium Leakage Test										
Inspection certificate 3.1 acc. EN 10204 of helium leakage test of the sensor module				C4						
Certificates: 3.1 Pressure Test										
Inspection certificate 3.1 acc. EN 10204 of pressure test					C5					
Certificates: 2.1 Instrument Design										
Declaration of compliance with the order 2.1 acc. EN 10204 for instrument design						C6				
Certificates: SIL2										
SIL2 - Declaration of Conformity								CL		
Calibration Record										
Calibration record									CB	
Separate calibration record									CC	
Certificates: MVO Approval										
MVO approval						(Note: 9)				CR
Certificates: GOST										
GOST Russia - Without Explosion Protection										WC
GOST Kazakhstan - Without Explosion Protection										WD
GOST Ukraine - Without Explosion Protection										WE
GOST Belarus - Without Explosion Protection										WF

Additional ordering information for model 261AN		XX	XX	XX	XX
Material: 2.1 Compliance					
Certificate of compliance with the order 2.1 acc. EN 10204 for process wetted parts		H1			
Material: 3.1 Inspection					
Inspection certificate 3.1 acc. EN 10204 of process wetted parts		(Note: 10)	H3		
Material: 2.2 Test Report					
Test report 2.2 acc. EN 10204 of the pressure bearing and process wetted parts				H4	
Connector Type					
Miniature connector M12 x 1 (without mating plug)					U2
Harting Han 8D (8U) - Straight entry		(Note: 11)			U3

- Note 1: Suitable for oxygen applications
Note 2: Suitable for food applications
Note 3: With Cable Gland made of Plastic
Note 4: Select connector with additional ordering code
Note 5: Additional options to be ordered by additional ordering code
Note 6: Additional options not requested / Not available for electrical connection with connector
Note 7: Not available with electrical connection with connector
Note 8: Only available with inert fill
Note 9: Only with Fill Fluid White oil
Note 10: Minor parts with factory certificate acc. EN 10204
Note 11: Only for electrical connection with Harting Han connector

Standard delivery scope (changes possible with additional ordering code)

- For general-purpose applications (no Ex applications)
- No display, no mounting bracket
- English-language operating instructions; English and German-language labels
- Configuration with kPa and °C units
- No test, inspection, or material certificates

Unless otherwise specified prior to manufacture, the customer shall be responsible for the selection of suitable parts that make contact with the medium and appropriate filling fluids in order to ensure compatibility with the relevant process medium.

Contact us

ABB Ltd.

Process Automation

Howard Road, St. Neots
Cambridgeshire, PE19 8EU
UK

Tel: +44 (0)1480 475321

Fax: +44 (0)1480 217948

ABB Inc.

Process Automation

125 E. County Line Road
Warminster PA 18974
USA

Tel: +1 215 674 6000

Fax: +1 215 674 7183

ABB Automation Products GmbH

Process Automation

Schillerstr. 72
32425 Minden
Germany

Tel: +49 551 905-534

Fax: +49 551 905-555

www.abb.com

Note

We reserve the right to make technical changes and changes affecting content to this document at any time without prior notice.

Orders are subject to the agreed detailed terms and conditions. ABB cannot be held responsible for any errors or omissions in this document.

We reserve all rights to this document and its content, including images. This document must not be copied, shared with third parties, or its content (in whole or in part) used without the prior written permission of ABB.

Copyright© 2011 ABB

All rights reserved

3KXP200004R1001

SS/261GC/AC-EN Rev. 06.08.2011