



---

# Electric Linear Actuators

## RSD 10, RSD 20

### Spare Parts List

SPL/RSD10/20-EN

05.2006

For spare parts orders as well as requests for factory or on-site service, contact

**ABB Automation GmbH**  
**- Service Instruments -**  
Schillerstrasse 72  
D - 32425 Minden  
Tel.: +49 (0) 571 830 1364  
Fax: +49 (0) 571 830 1744  
E-Mail [parts-repair-minden@de.abb.com](mailto:parts-repair-minden@de.abb.com)

© Copyright 2006 by ABB Automation GmbH  
Subject to change without notice

This document is protected by copyright. It assists the user with the safe and efficient operation of the device. The contents may not be copied or reproduced in whole or in excerpts without prior approval of the copyright holder.

**1 Spare parts list**

**1.1 Electric Linear Actuators RSD 10 / RSD 20**

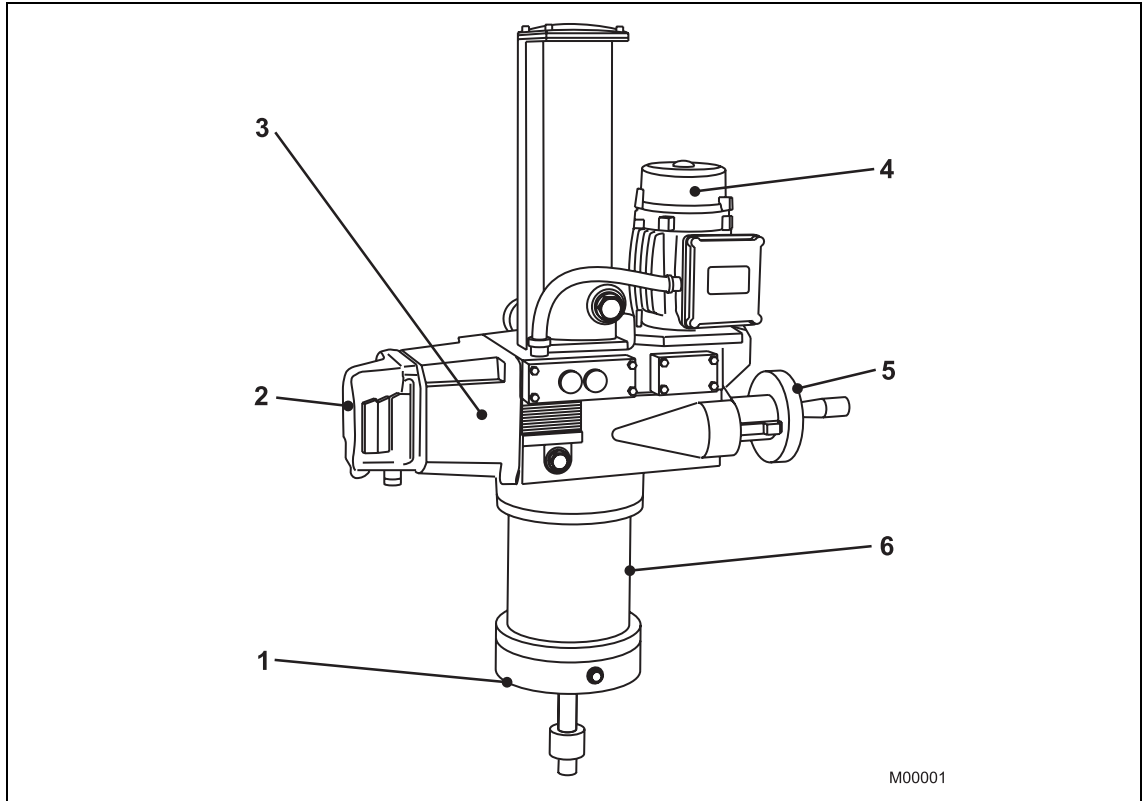


Fig. 1


| Item | Description   | Order number  | Weight (kg) | Price (EUR) |
|------|---|---|-------------|-------------|
| 1    | <b>Thrust rod seal (set)</b><br>(wiper, slotted sleeve bearing, sealing rings, O-rings, screws for mounting flange and external stop)   | 8 689 249   |             |             |
| 2    | <b>Plug-in connection (sets)</b><br>Cable plug insert with crimp sockets, support plate with pin insert, crimp pins and pigtail; for crimp technology including deinstallation tool<br>24-pole for motor and signal lines<br><ul style="list-style-type: none"> <li>• for crimped connection</li> <li>• for screwed connection</li> </ul> 24-pole and 10-pole for motor, signals and heating<br><ul style="list-style-type: none"> <li>• for crimped connection</li> <li>• for screwed connection</li> </ul> Crimp sockets and pins for motor, signals and heating, including deinstallation tool | 8 689 244<br>8 689 245<br>8 689 246<br>8 689 247<br>8 689 248 |             |             |

| Item | Description  | Order number   | Weight (kg) | Price (EUR) |
|------|--|--|-------------|-------------|
| 3    | <b>Position sensor</b>   | 764 975  |             |             |
| 4    | <p><b>Motor</b></p> <p><b>Motor, complete (standard design)</b><br/>with O-ring for mounting flange</p> <ul style="list-style-type: none"> <li>• MCS 71 BA for RSD 10 - 5.0; RSD 10 - 10.0, RSD 20 - 5.0</li> <li>• MCS 80 BA for RSD 20 - 7.5</li> </ul> <p><b>Pinion</b></p> <ul style="list-style-type: none"> <li>• for RSD 10 - 5.0; RSD 20 - 5.0</li> <li>• for RSD 10 - 10,0; RSD 20 - 7,5</li> </ul> <p><b>Brake, complete</b></p> <ul style="list-style-type: none"> <li>• for Motor MCS 71 BA* <ul style="list-style-type: none"> <li>- Design "KR" 8 689 237</li> <li>- Design "VE" 8 689 238</li> </ul> </li> <li>• for Motor MCS 80 BA* <ul style="list-style-type: none"> <li>- Design "KR" 8 689 239</li> <li>- Design "VE" 8 689 240</li> </ul> </li> </ul> <p><b>Maintenance set</b><br/>(rotor bearings, shaft sealing ring, O-ring for cover and flange)</p> <ul style="list-style-type: none"> <li>• for Motor MCS 71 BA* <ul style="list-style-type: none"> <li>- Design "KR" 8 689 250</li> <li>- Design "VE" 8 689 251</li> </ul> </li> <li>• for Motor MCS 80 BA* <ul style="list-style-type: none"> <li>- Design "KR" 8 689 252</li> <li>- Design "VE" 8 689 253</li> </ul> </li> </ul> | 764 973<br>764 974<br>284 547<br>284 548<br>8 689 237<br>8 689 238<br>8 689 239<br>8 689 240<br>8 689 250<br>8 689 251<br>8 689 252<br>8 689 253 |             |             |
| 5    | <p><b>Handwheel drive (Repair/maintenance set)</b><br/>Handwheel, cone grip, shaft sealing ring, O-ring for flange</p>   | 8 689 241  |             |             |
| 6    | <p><b>Set for oil change</b><br/>20 l gear oil, 1 drain and vent plug each, 2 sealing rings</p> <ul style="list-style-type: none"> <li>- for ambient temperatures -10 ... 65 °C</li> <li>- for ambient temperatures -30 ... 50 °C</li> </ul>   | 8 689 242<br>8 689 243   |             |             |

\* Information regarding name plate of motor must be provided, refer to section "Name plate, motor (sample)"

**1.2 Name plate, actuator (sample)**

To identify the design of the actuator, refer to name plate located on the gear box (see figure).  
 Spare parts orders must include items 1 and 2 according to the actuator name plate.  
 Information from the motor name plate may also be required.

|   |  |                   |           |
|---|--|-------------------|-----------|
| 1   | <b>Antrieb / Actuator : CONTRAC RSD 20 - 7.5 / 100</b> |                   |           |
| 2   | F-Nr. / No. 68642 T 602355                             | NL:               |           |
| 3   | F = 20 kN  | Jahr / Year: 2006 | <b>CE</b> |
| 4   | t = -10 ... 65 °C                                      | IP 66             |           |
| 5   | s = min. 15 mm, max. 100 mm                            | v = 7.5 mm / s    | /VVV      |
| 6   | Öl / Oil: ESSO Spartan EP 220                          |                   |           |
| 7   | für Elektronik / for Electronics: EBN 853 / EBS 852    |                   |           |
|  |  |                   |           |
| ABB Automation<br>D - 32425 Minden<br>Made in Germany                               |  |                   |           |

- |   |   |
|---|---|
| 1 Actuator model                                    | 5 Min./max. positioning stroke / max. positioning speed / Heating |
| 2 Serial number / No. of <b>Non-List</b> design*    | 6 Type of oil filled in   |
| 3 Nominal positioning force / Year of manufacture   | 7 Associated electronics  |
| 4 Permissible ambient temperature / Protection type |   |

\* The numbers following the letters "NL" indicate a non-standard design. This number must be provided with the information from the name plate to ensure proper delivery of spare parts (material numbers may vary)!

**1.3 Name plate, motor (sample)**

Design "KR" (plug in brake cover)

|           |           |                 |
|-----------|-----------|-----------------|
| <b>CE</b> | Type      | MCS 71 BA       |
|           | Part no.  | 764 973         |
|           | Motor no. | 18679.05C / 018 |

Design "VE"

|           |                     |
|-----------|---------------------|
| <b>CE</b> | MCS 71 BA 764 973 D |
|           | 0556934010 603 H    |

---

ABB provides expert and comprehensive consulting services  
in more than 100 countries worldwide.

[www.abb.de/service](http://www.abb.de/service)



**ABB Automation GmbH**  
-Service-  
Kallstadter Strasse 1, 68309 Mannheim, GERMANY  
Tel: +49 180 5 222 580, Fax: +49 621 38193 129031  
[automation.service@de.abb.com](mailto:automation.service@de.abb.com)

ABB is continually improving its products. As a  
result, technical information in this document is  
subject to change.

Printed in the Fed. Rep. of Germany (05.2006)

© ABB 2006

3KXE161001R4701

SPL/RSD10/20-EN