

A

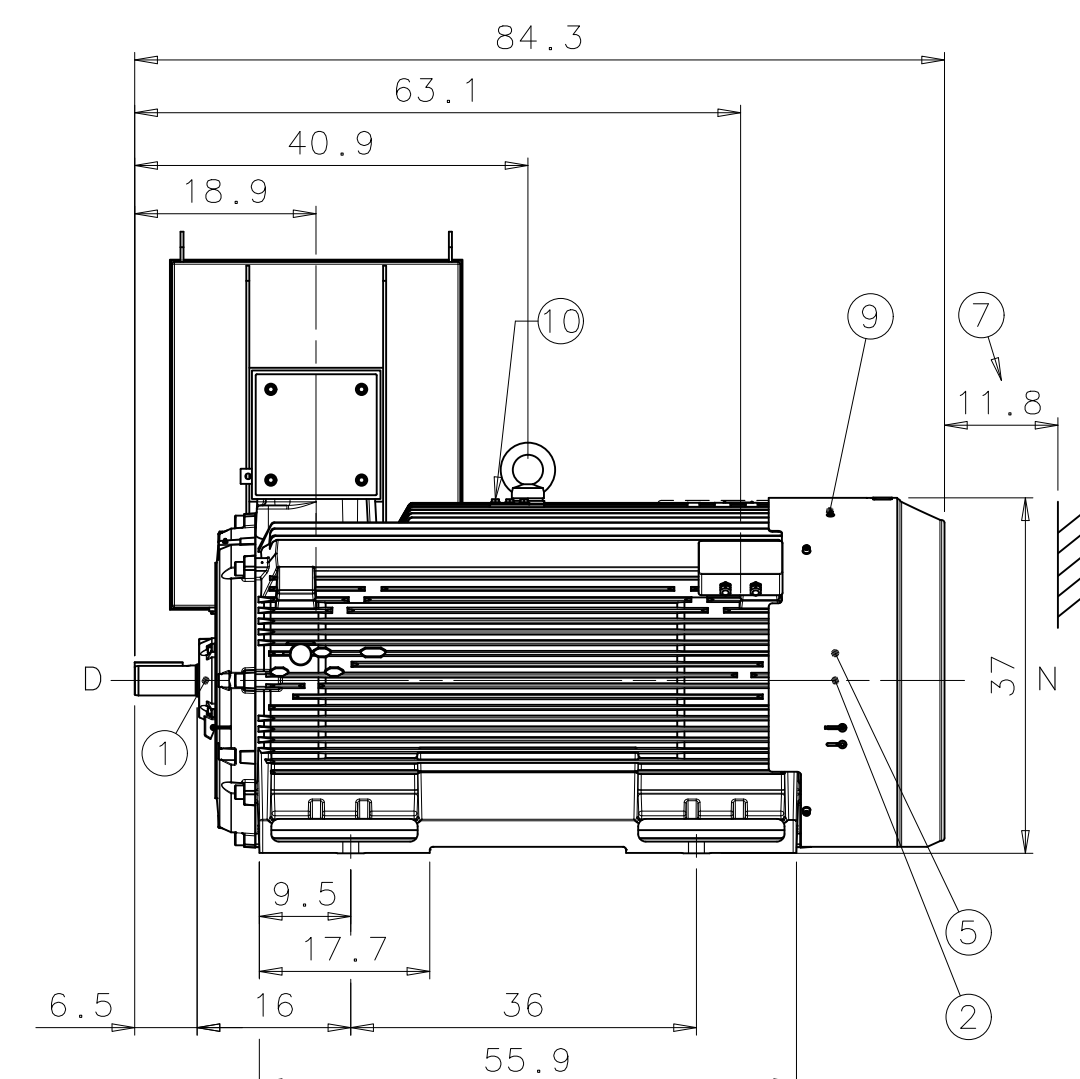
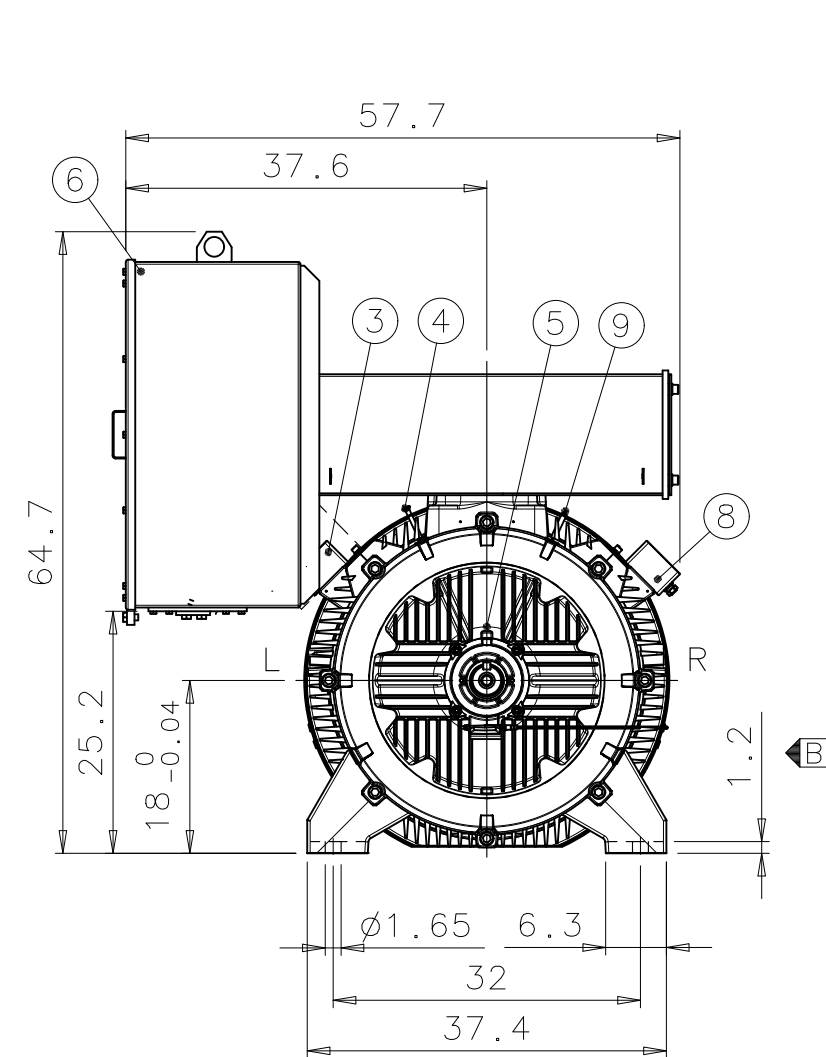
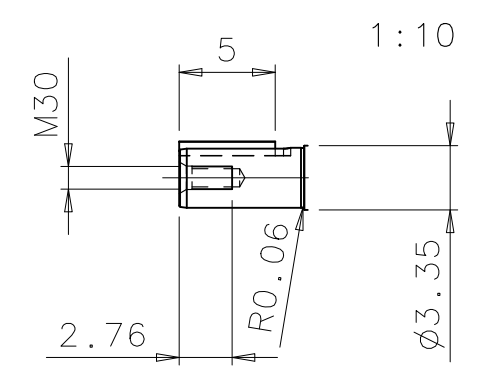
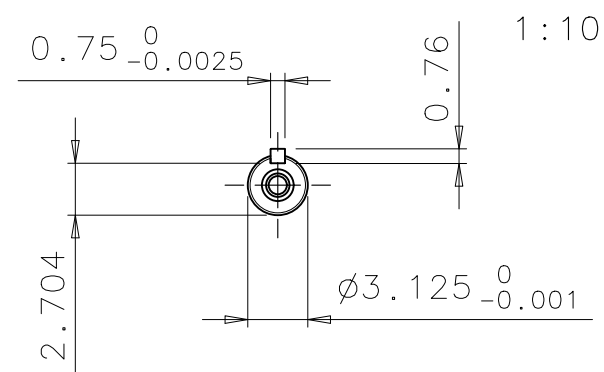
B

C

D

We reserve all rights in this document and in the information contained therein. Reproduction, use or disclosure to third parties without express authority is strictly forbidden.
 © ABB Oy, Electrical Machines, Helsinki

General tolerances ISO 2768-mK
 Threads according to ISO 965 tolerance class 6H
 Symbols for roughness acc. to ISO 1302



1	D-BEARING 6317M/C3
2	N-BEARING 6317M/C3 INSULATED 6317M/C3 (OPTIONAL)
3	TERMINAL BOX FOR CONTROL CAPLE 10-14, 2xM20x1,5 LARGER TERMINAL BOX (OPTIONAL)
4	SPM NIPPLE DE AND NDE
5	PT-100 FOR BEARINGS (OPTIONAL)
6	MAIN TERMINAL BOX
7	FREE DISTANCE FOR COOLING
8	TERMINAL BOX FOR HEATING ELEMENT CAPLE 10-14, 1xM20x1,5 (OPTIONAL)
9	GREASING NIPPLE DE AND NDE
10	EARTHING, M12, FOR M3GM MAX 150mm ²

A

B

C

D

DIMENSIONS IN INCHES

DURING THE INITIAL INSTALLATION PLACE 0.0787" SHIMS UNDER THE FEET OF THE MOTOR.
 THE CUSTOMER IS RESPONSIBLE FOR THE DESIGN AND CONSTRUCTION OF THE FOUNDATION.
 IT SHALL BE SUFFICIENTLY RIGID TO WITHSTAND SHORT CIRCUIT FORCES. TO AVOID RESONANCE
 VIBRATIONS THE FOUNDATION SHALL BE DESIGNED SO THAT THE NATURAL FREQUENCY
 OF FOUNDATION TOGETHER WITH MACHINE IS NOT WITHIN ±20% OF RUNNING SPEED FREQUENCY.
 THE CUSTOMER IS ALSO RESPONSIBLE FOR LATERAL AND TORSIONAL CRITICAL SPEED ANALYSIS OF
 THE COMPLETE INSTALLATION.

B		FRAME FEET THICKNES CHANGED	2003-06-09	MiVa	OILa
Rev	Change		Date	Prep.	Approved
Prepared	2006-09-18 M.VÄKIPARTA	Responsible dept.	ATAP/PID		Title
Approved	2006-09-18 O.LAHTINEN	Take over dept.			DIMENSION PRINT SQUIRREL CAGE MOTOR
Material				Code	13 BM 72_NEMA A / 450
Supersedes				Type	M3BM/GM 728L2 B3
Superseded by				Document No.	3GZF500002-2
				Revision	B
				Language	en
				Size	A3
				Sheet	1/1
ABB Oy, Electrical Machines, Helsinki					

1

2

3

4

5

6