

A

B

C

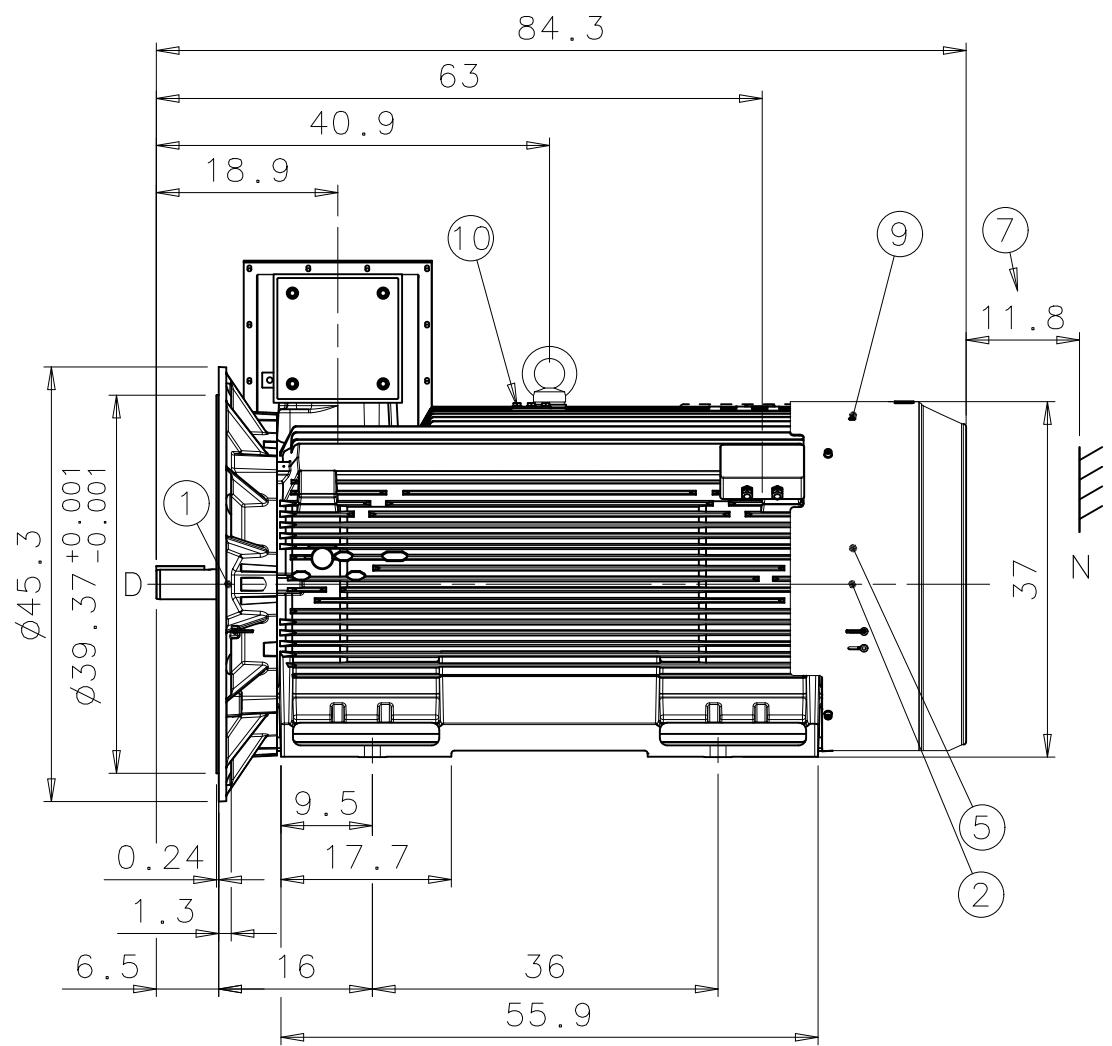
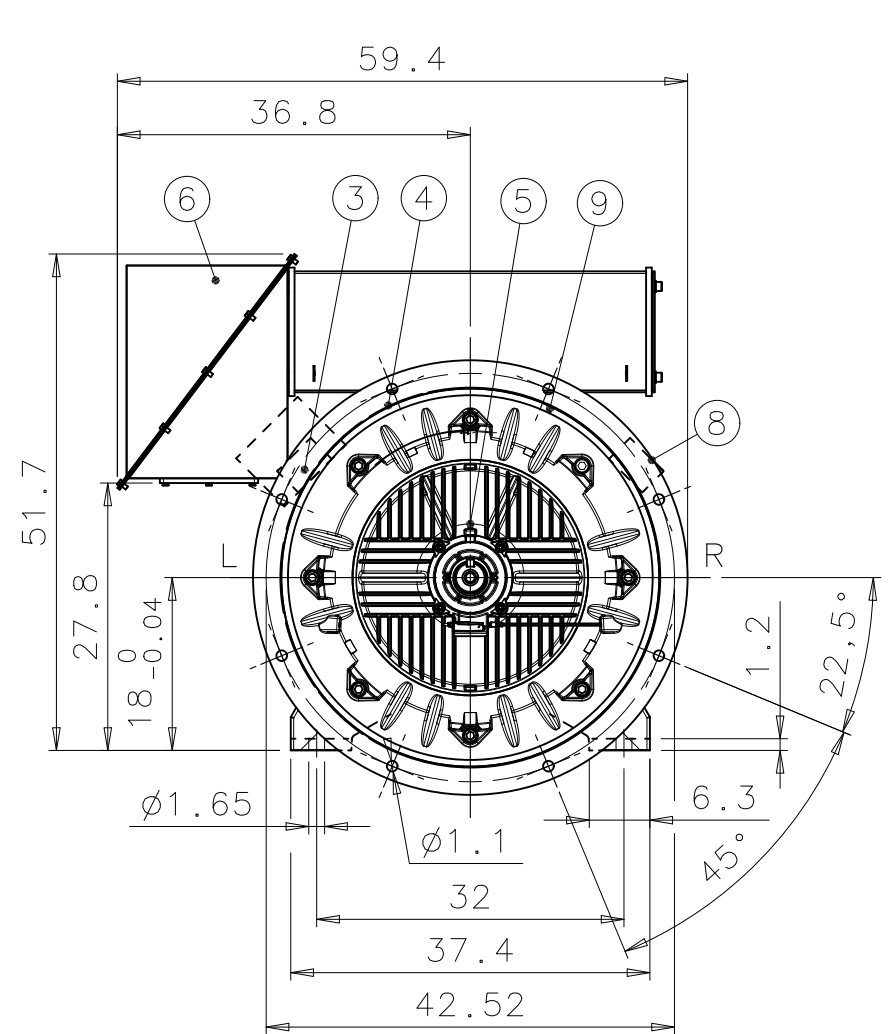
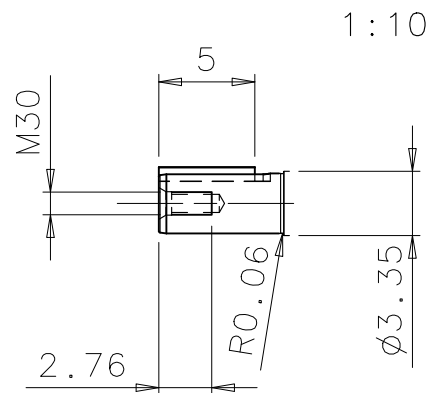
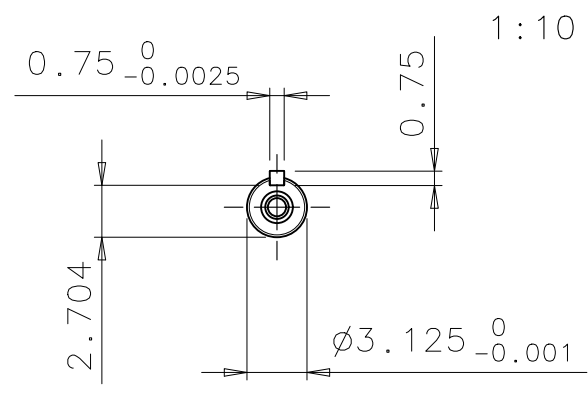
D

A

B

C

D



1	D-BEARING 6317M/C3
2	N-BEARING 6317M/C3 INSULATED 6317M/C3 (OPTIONAL)
3	TERMINAL BOX FOR CONTROL CAPLE 10-14,2xM20x1,5 LARGER TERMINAL BOX (OPTIONAL)
4	SPM NIPPLE DE AND NDE
5	PT-100 FOR BEARINGS (OPTIONAL)
6	MAIN TERMINAL BOX
7	FREE DISTANCE FOR COOLING
8	TERMINAL BOX FOR HEATING ELEMENT CAPLE 10-14,1xM20x1,5 (OPTIONAL)
9	GREASING NIPPLE DE AND NDE
10	EARTHING, M12, FOR M3GM MAX 150mm ²

We reserve all rights in this document and in the information contained therein. Reproduction, use or disclosure to third parties without express authority is strictly forbidden.
 © ABB Oy, Electrical Machines, Helsinki

General tolerances ISO 2768-mK
 Threads according to ISO 965 toleranceclass 6H
 Symbols for roughness acc. to ISO 1302

DIMENSIONS IN INCHES

DURING THE INITIAL INSTALLATION PLACE 0.0787" SHIMS UNDER THE FEET OF THE MOTOR.
 THE CUSTOMER IS RESPONSIBLE FOR THE DESIGN AND CONSTRUCTION OF THE FOUNDATION.
 IT SHALL BE SUFFICIENTLY RIGID TO WITHSTAND SHORT CIRCUIT FORCES. TO AVOID RESONANCE
 VIBRATIONS THE FOUNDATION SHALL BE DESIGNED SO THAT THE NATURAL FREQUENCY
 OF FOUNDATION TOGETHER WITH MACHINE IS NOT WITHIN ±20% OF RUNNING SPEED FREQUENCY.
 THE CUSTOMER IS ALSO RESPONSIBLE FOR LATERAL AND TORSIONAL CRITICAL SPEED ANALYSIS OF
 THE COMPLETE INSTALLATION.

B M3BM->M3BM/GM		2006-10-18	AK	OLLA
Rev	Change	Date	Prep.	Approved
Prepared	2006-09-18 M.VÄKIPARTA	Responsible dept.	ATAP/PID	
Approved	2006-09-18 O.LAHTINEN	Take over dept.		
Material		Code	13 BM 72_NEMA A / 450	
Supersedes		Superseded by	Type	M3BM/GM 728L2 B35
ABB ABB Oy, Electrical Machines, Helsinki		Document No.	3GZF500002-7	Revision B
			Scale	1:20
			Title	DIMENSION PRINT SQUIRREL CAGE MOTOR
			Language	en
			Size	A3
			Sheet	1/1