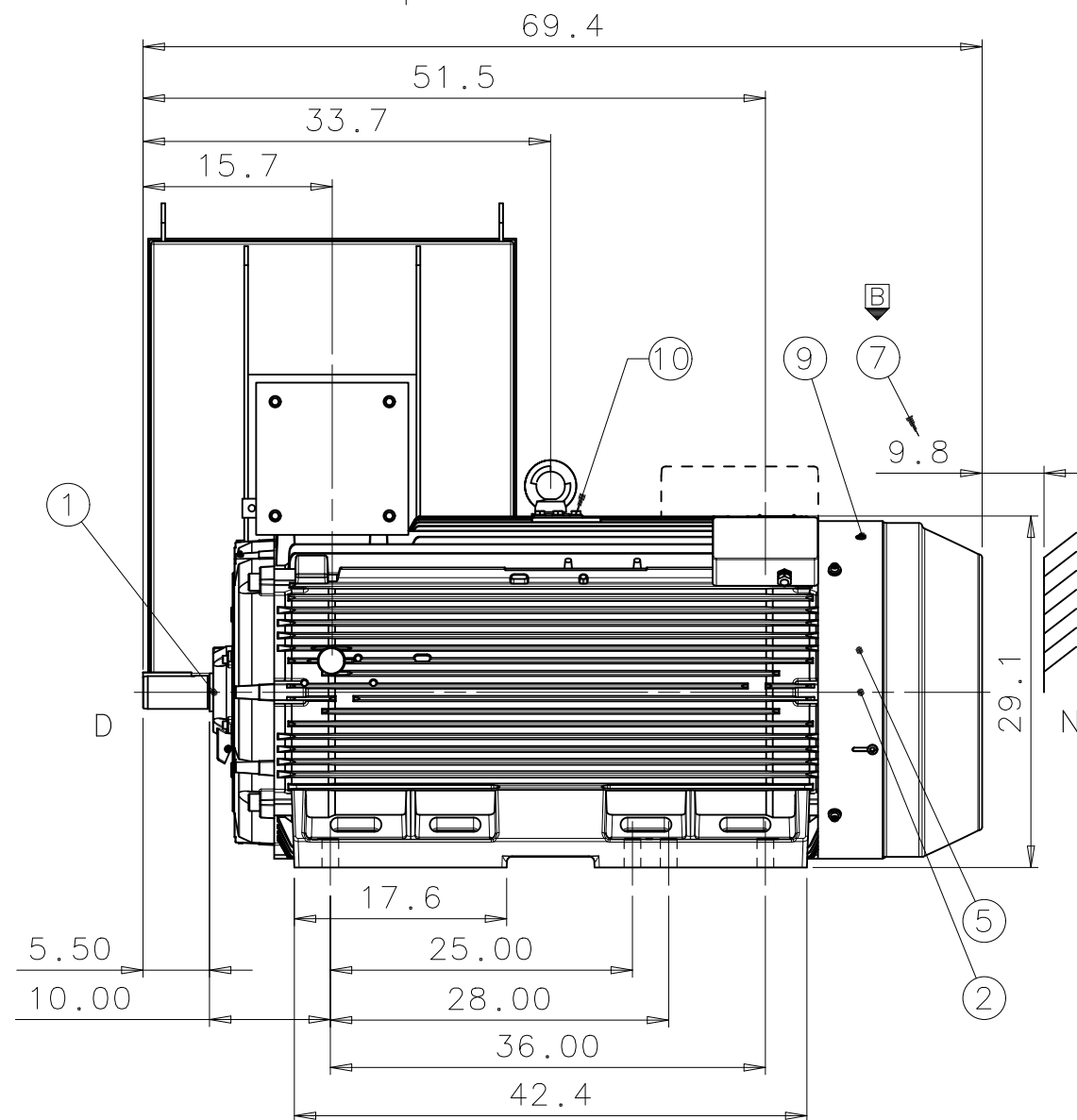
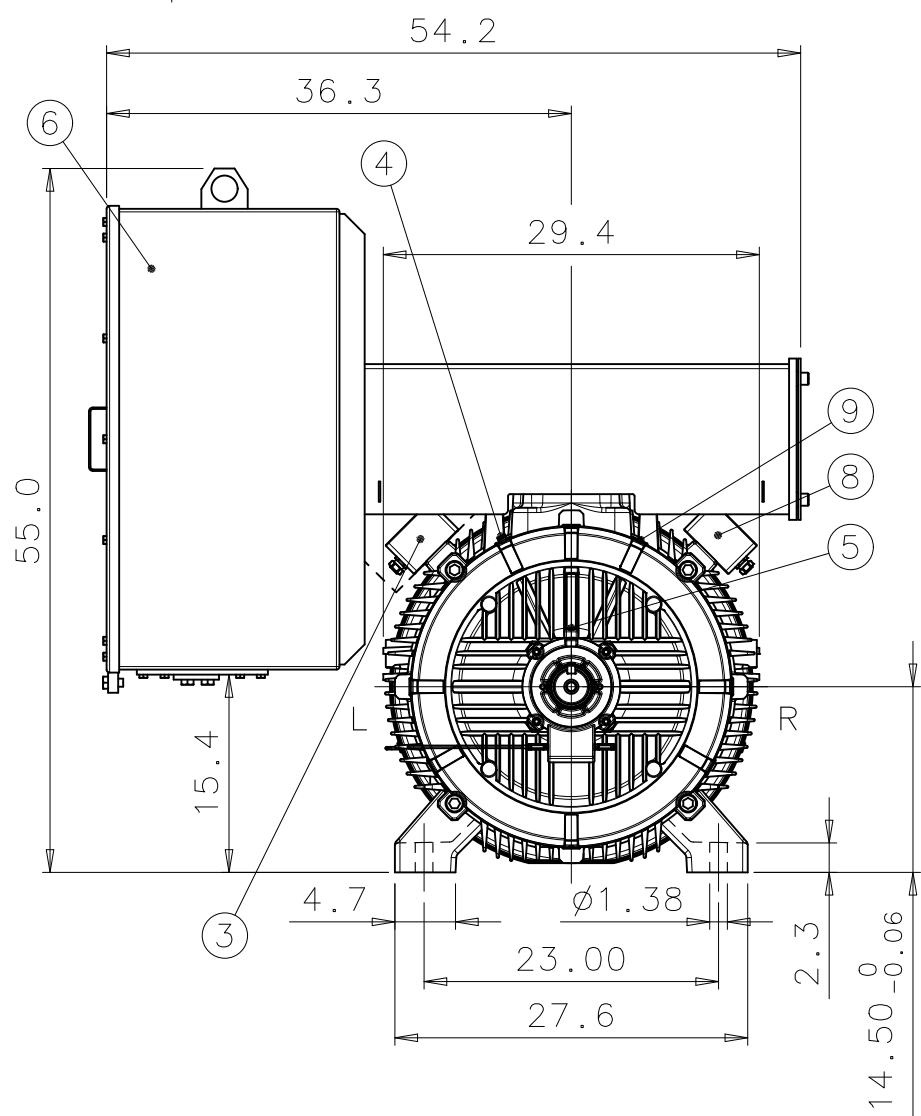
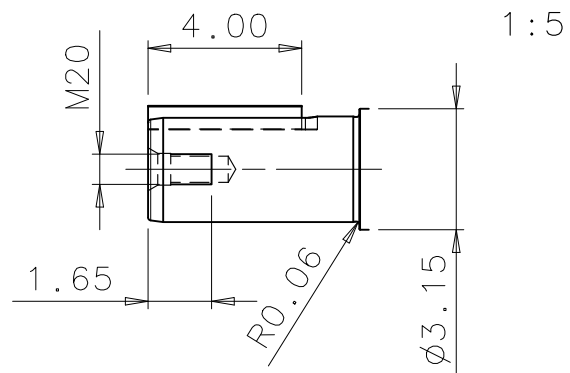
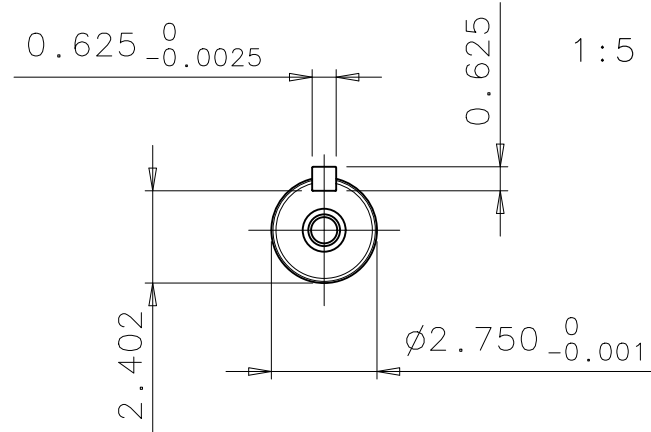


A

A



1	D-BEARING	6316M/C3
2	N-BEARING	6316M/C3 INSULATED 6316M/C3 (OPTIONAL)
3	TERMINAL BOX FOR CONTROL CABLE	Ø10-14, 2xM20x1,5 LARGER TERMINAL BOX (OPTIONAL)
4	SPM NIPPLE DE AND NDE	
5	PT-100 FOR BEARINGS (OPTIONAL)	
6	MAIN TERMINAL BOX	
7	FREE DISTANCE FOR COOLING	
8	TERMINAL BOX FOR HEATING ELEMENT CABLE	Ø10-14, 1xM20x1,5 (OPTIONAL)
9	GREASING NIPPLE DE AND NDE	
10	EARTHING, M12, FOR M3GM MAX	150 mm <sup>2</sup>

B

B

C

C

D

D

We reserve all rights in this document and in the information contained therein. Reproduction, use or disclosure to third parties without express authority is strictly forbidden.  
 © ABB Oy, Electrical Machines, Helsinki

General tolerances ISO 2768-mK  
 Threads according to ISO 965 tolerance class 6H  
 Symbols for roughness acc. to ISO 1302

**DIMENSIONS IN INCHES**

DURING THE INITIAL INSTALLATION PLACE 0.0787" SHIMS UNDER THE FEET OF THE MOTOR. THE CUSTOMER IS RESPONSIBLE FOR THE DESIGN AND CONSTRUCTION OF THE FOUNDATION. IT SHALL BE SUFFICIENTLY RIGID TO WITHSTAND SHORT CIRCUIT FORCES. TO AVOID RESONANCE VIBRATIONS THE FOUNDATION SHALL BE DESIGNED SO THAT THE NATURAL FREQUENCY OF FOUNDATION TOGETHER WITH MACHINE IS NOT WITHIN ±20% OF RUNNING SPEED FREQUENCY. THE CUSTOMER IS ALSO RESPONSIBLE FOR LATERAL AND TORSIONAL CRITICAL SPEED ANALYSIS OF THE COMPLETE INSTALLATION.

B		FREE DISTANCE FOR COOLING 5.1" → 9.8"	2006-10-24	ARKI	OL
Rev	Change		Date	Prep.	Approved
Prepared	2006-07-24 A.MATTILA	Responsible dept.	ATAP/PID		Title
Approved	2006-07-24 O.LAHTINEN	Take over dept.			DIMENSION PRINT SQUIRREL CAGE MOTOR
Material				Code	13 BM 58_NEMA A / 355
Supersedes				Type	M3BM/GM 587LK2 B3
Superseded by				Document No.	3GZF500098-66
				Revision	B
				Language	en
				Size	A3
				Sheet	1/1

1

2

3

4

5

6