

3

4

5

6

A

B

C

D

A

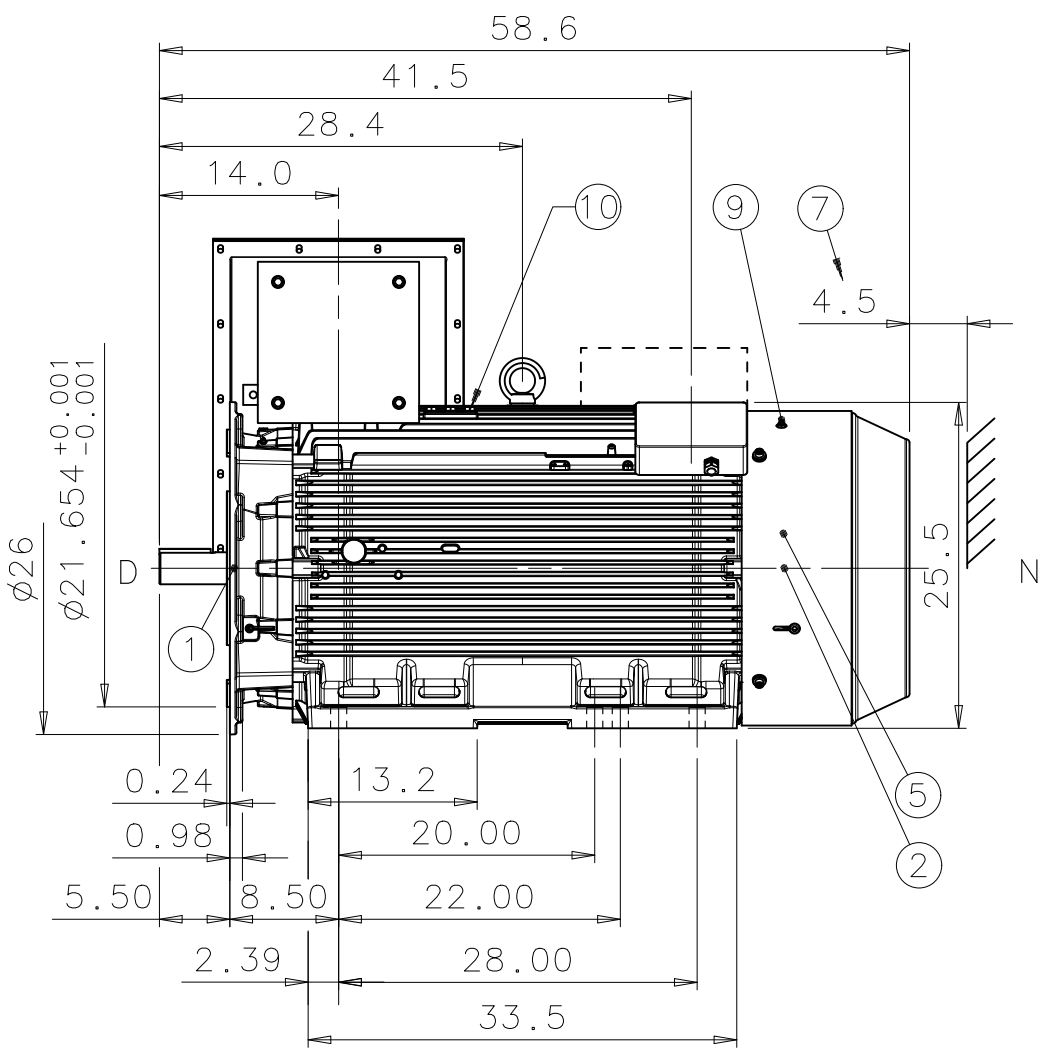
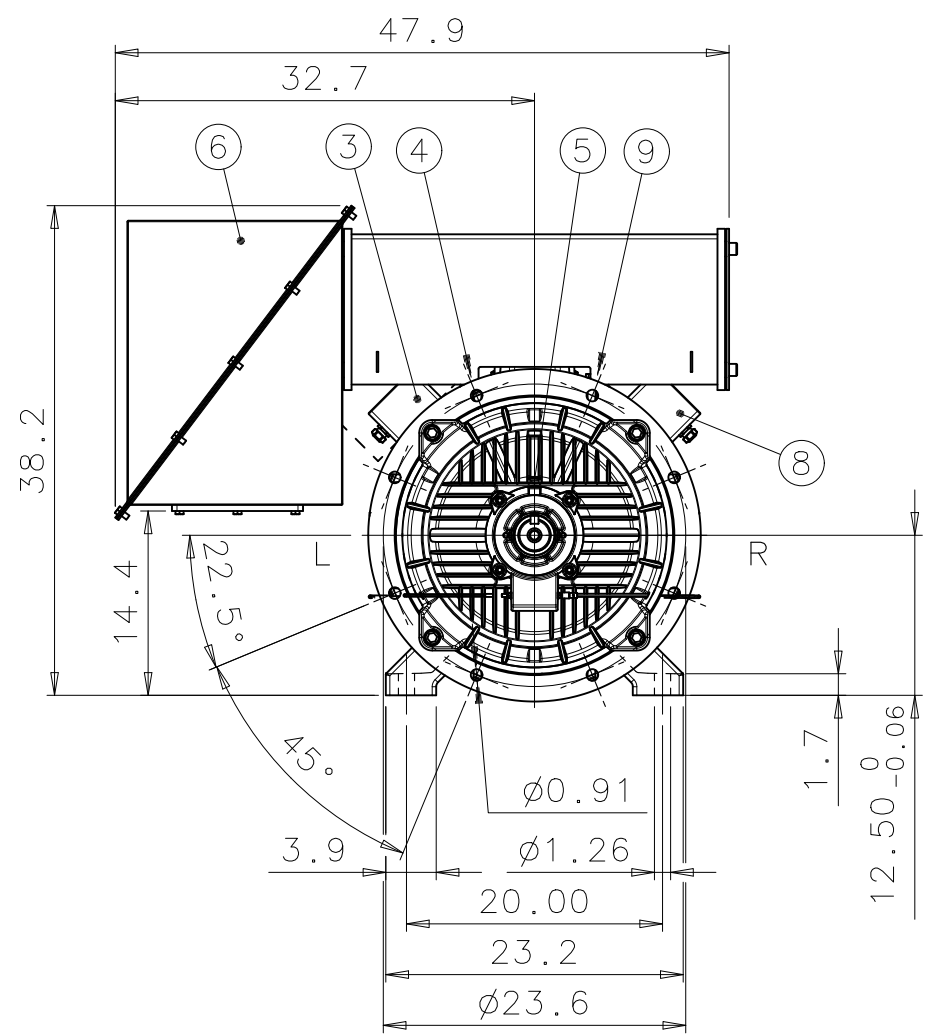
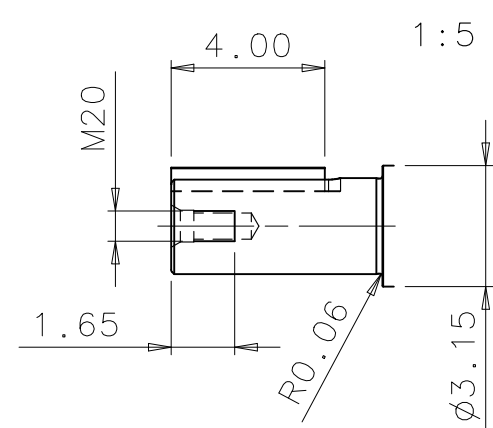
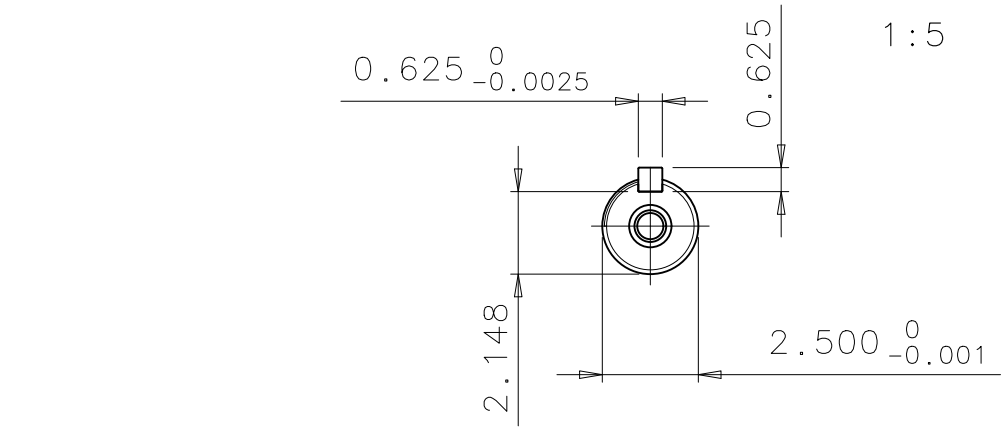
B

C

D

We reserve all rights in this document and in the information contained therein. Reproduction, use or disclosure to third parties without express authority is strictly forbidden.  
 © ABB Oy, Electrical Machines, Helsinki

General tolerances ISO 2768-mK  
 Threads according to ISO 965 tolerance class 6H  
 Symbols for roughness acc. to ISO 1302



1	D-BEARING	6316M/C3
2	N-BEARING INSULATED	6316M/C3 6316M/C3 (OPTIONAL)
3	TERMINAL BOX FOR CONTROL CABLE Ø10-14, 2xM20x1,5	LARGER TERMINAL BOX (OPTIONAL)
4	SPM NIPPLE DE AND NDE	
5	PT-100 FOR BEARINGS (OPTIONAL)	
6	MAIN TERMINAL BOX	
7	FREE DISTANCE FOR COOLING	
8	TERMINAL BOX FOR HEATING ELEMENT CABLE Ø10-14, 1xM20x1,5	(OPTIONAL)
9	GREASING NIPPLE DE AND NDE	
10	EARTHING, M12, FOR M3GM MAX 150mm <sup>2</sup>	

**DIMENSIONS IN INCHES**

DURING THE INITIAL INSTALLATION PLACE 0.0787" SHIMS UNDER THE FEET OF THE MOTOR. THE CUSTOMER IS RESPONSIBLE FOR THE DESIGN AND CONSTRUCTION OF THE FOUNDATION. IT SHALL BE SUFFICIENTLY RIGID TO WITHSTAND SHORT CIRCUIT FORCES. TO AVOID RESONANCE VIBRATIONS THE FOUNDATION SHALL BE DESIGNED SO THAT THE NATURAL FREQUENCY OF FOUNDATION TOGETHER WITH MACHINE IS NOT WITHIN ±20% OF RUNNING SPEED FREQUENCY. THE CUSTOMER IS ALSO RESPONSIBLE FOR LATERAL AND TORSIONAL CRITICAL SPEED ANALYSIS OF THE COMPLETE INSTALLATION.

B PART NUMBERING CHANGED, M3BM->M3BM/GM		2006-10-17	AK	OL
Rev	Change	Date	Prep.	Approved
Prepared	2006-06-13 M.VÄKIPARTA	Responsible dept.	ATAP/PID	
Approved	2006-07-03 O.LAHTINEN	Take over dept.		
Material		Code	13 BM 50_NEMA A / 315	
Supersedes		Superseded by	Type	M3BM/GM 506LK2 B35
ABB ABB Oy, Electrical Machines, Helsinki		Document No.	Revision	Sheet
		3GFZ500090-36	B	1/1

1

2

3

4

5

6