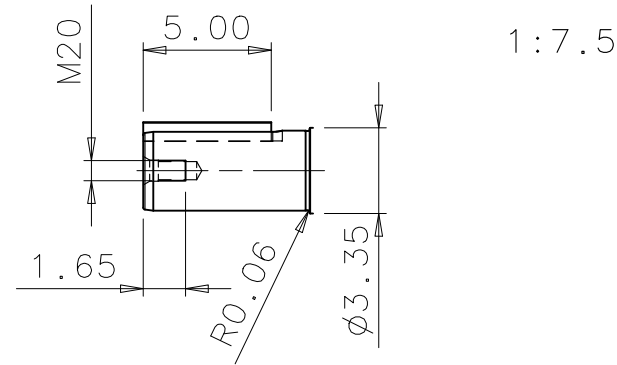
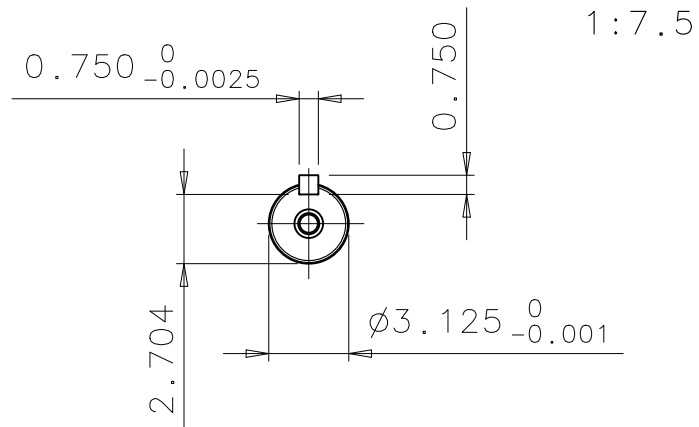


3

4

5

6



1	D-BEARING	6317M/C3
2	N-BEARING	6317M/C3 INSULATED 6317M/C3 (OPTIONAL)
3	TERMINAL BOX FOR CONTROL CABLE	Ø10-14, 2xM20x1,5 LARGER TERMINAL BOX (OPTIONAL)
4	SPM NIPPLE DE AND NDE	
5	PT-100 FOR BEARINGS (OPTIONAL)	
6	MAIN TERMINAL BOX	
7	FREE DISTANCE FOR COOLING	
8	TERMINAL BOX FOR HEATING ELEMENT CABLE	Ø10-14, 1xM20x1,5 (OPTIONAL)
9	GREASING NIPPLE DE AND NDE	
10	EARTHING, M12, FOR M3GM MAX	150mm <sup>2</sup>

A

A

B

B

C

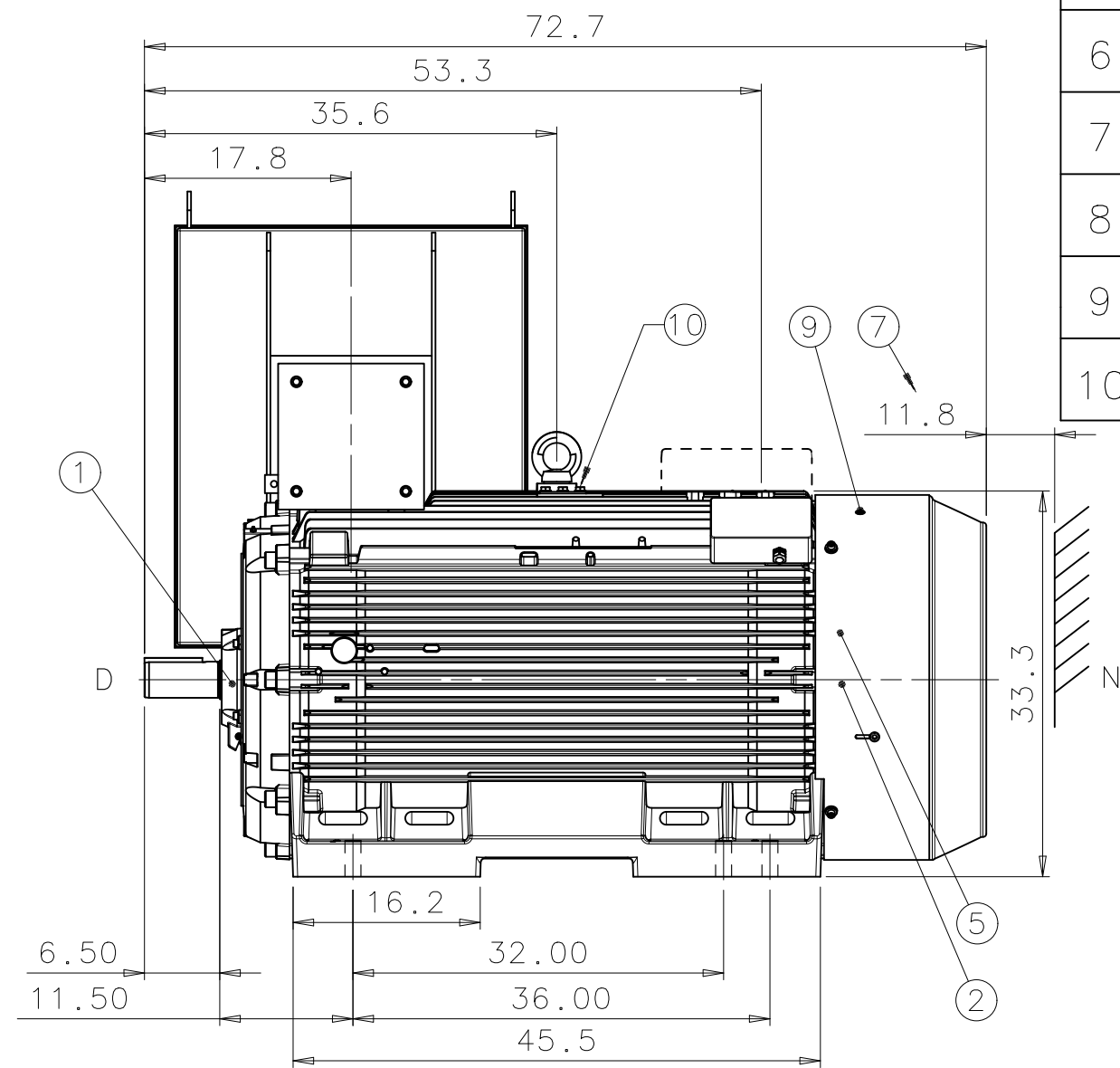
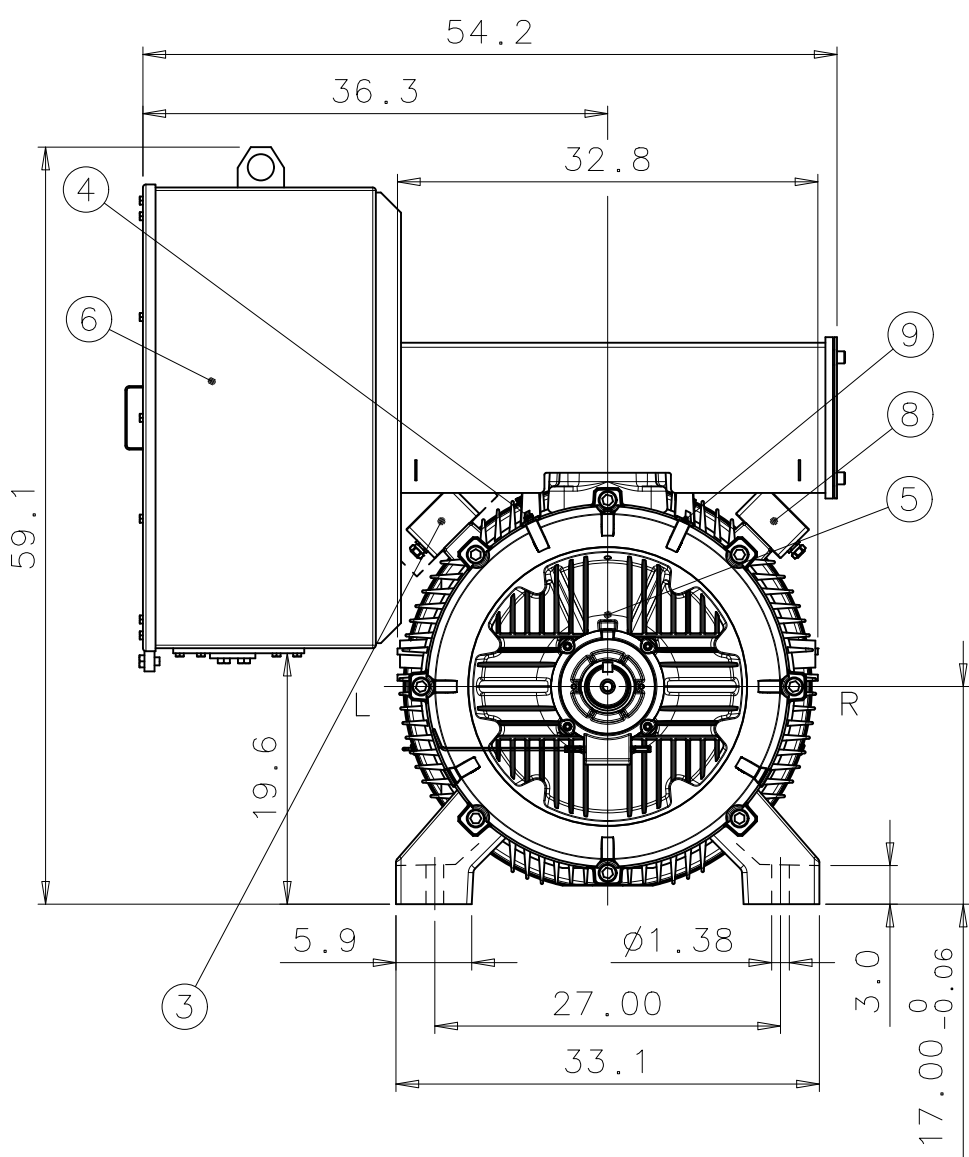
C

D

D

We reserve all rights in this document and in the information contained therein. Reproduction, use or disclosure to third parties without express authority is strictly forbidden.  
 © ABB Oy, Electrical Machines, Helsinki

General tolerances ISO 2768-mK  
 Threads according to ISO 965 tolerance class 6H  
 Symbols for roughness acc. to ISO 1302



**DIMENSIONS IN INCHES**

DURING THE INITIAL INSTALLATION PLACE 0.0787" SHIMS UNDER THE FEET OF THE MOTOR.  
 THE CUSTOMER IS RESPONSIBLE FOR THE DESIGN AND CONSTRUCTION OF THE FOUNDATION.  
 IT SHALL BE SUFFICIENTLY RIGID TO WITHSTAND SHORT CIRCUIT FORCES. TO AVOID RESONANCE  
 VIBRATIONS THE FOUNDATION SHALL BE DESIGNED SO THAT THE NATURAL FREQUENCY  
 OF FOUNDATION TOGETHER WITH MACHINE IS NOT WITHIN ±20% OF RUNNING SPEED FREQUENCY.  
 THE CUSTOMER IS ALSO RESPONSIBLE FOR LATERAL AND TORSIONAL CRITICAL SPEED ANALYSIS OF  
 THE COMPLETE INSTALLATION.

Rev	Change	Date	Prep.	Approved
Prepared	2006-07-25 A.MATTILA	Responsible dept.	ATAP/PID	Title
Approved	2006-07-25 O.LAHTINEN	Take over dept.		DIMENSION PRINT SQUIRREL CAGE MOTOR
Material		Code	13 BM 68_NEMA A / 400	Language
Supersedes	Superseded by	Type	M3BM/GM 688L2 B3	Size
ABB		Document No.	3GZF500099-39	Revision
ABB Oy, Electrical Machines, Helsinki			A	Sheet
				1/1

1

2

3

4

5

6