

A

B

C

D

We reserve all rights in this document and in the information contained therein. Reproduction, use or disclosure to third parties without express authority is strictly forbidden.
 © ABB Oy, Electrical Machines, Helsinki

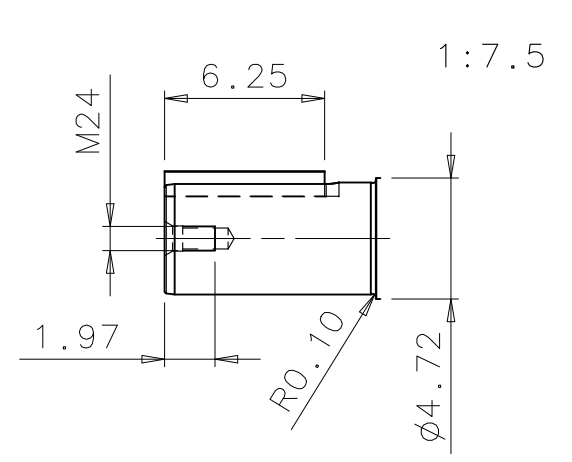
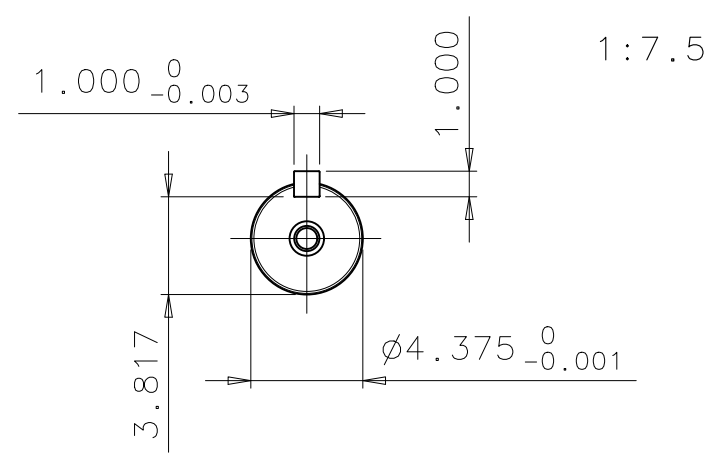
General tolerances ISO 2768-mK
 Threads according to ISO 965 tolerance class 6H
 Symbols for roughness acc. to ISO 1302

3

4

5

6



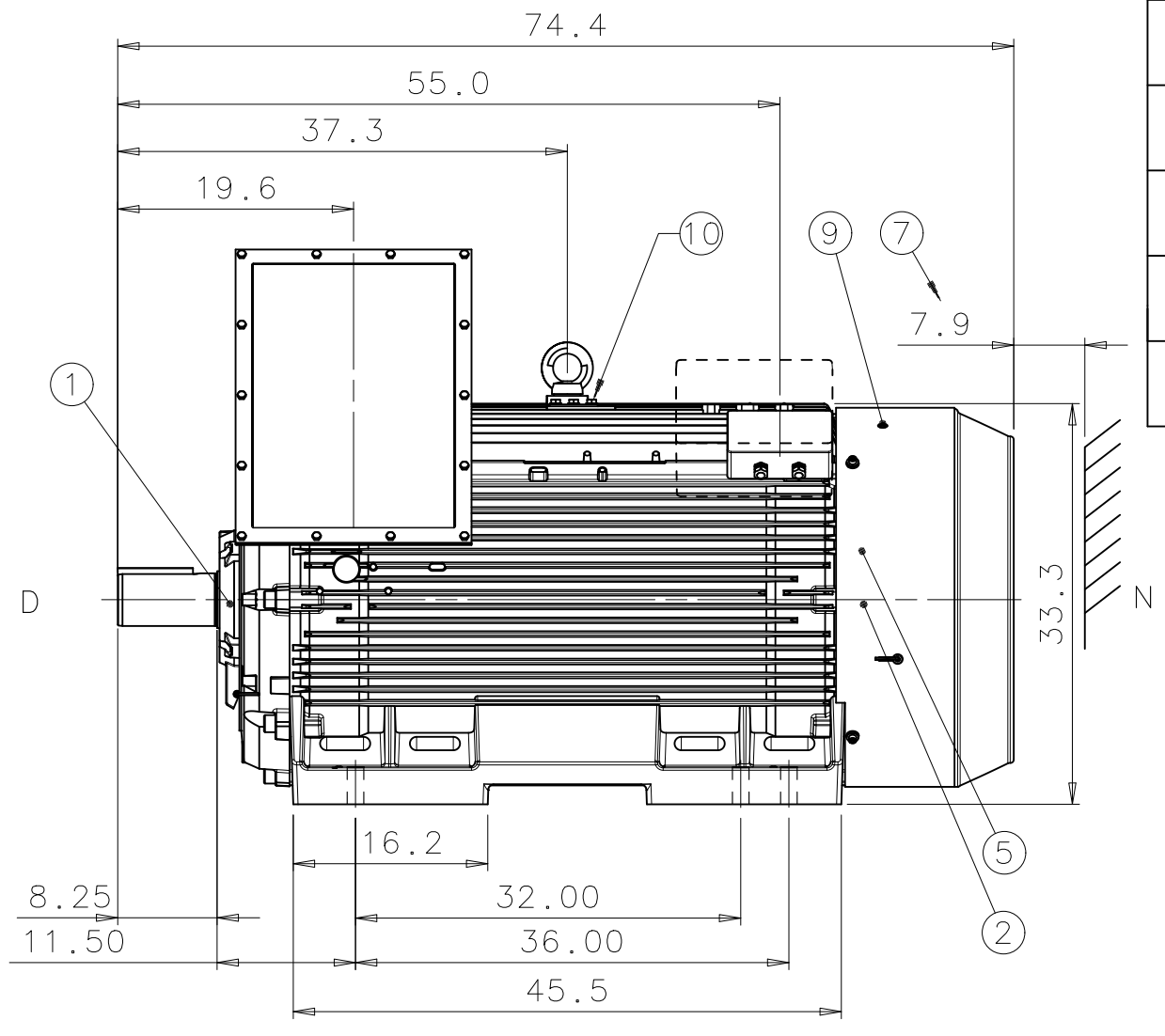
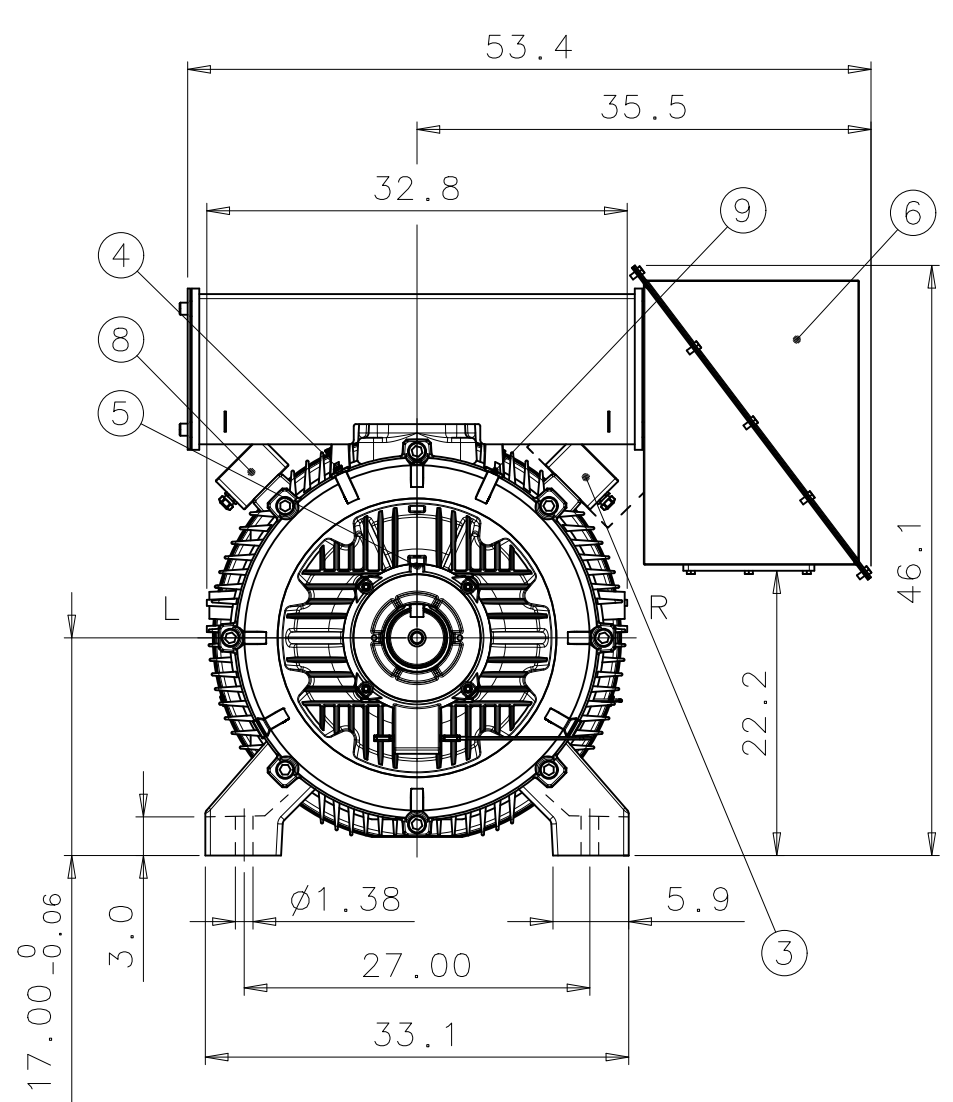
1	D-BEARING 6324/C3 NU324/C3 (OPTIONAL)
2	N-BEARING 6319/C3 INSULATED 6319/C3 (OPTIONAL)
3	TERMINAL BOX FOR CONTROL CABLE ϕ 10-14, 2xM20x1,5 LARGER TERMINAL BOX (OPTIONAL)
4	SPM NIPPLE DE AND NDE
5	PT-100 FOR BEARINGS (OPTIONAL)
6	MAIN TERMINAL BOX
7	FREE DISTANCE FOR COOLING
8	TERMINAL BOX FOR HEATING ELEMENT CABLE ϕ 10-14, 1xM20x1,5 (OPTIONAL)
9	GREASING NIPPLE DE AND NDE
10	EARTHING, M12, FOR M3GM MAX 150mm ²

A

B

C

D



DIMENSIONS IN INCHES

DURING THE INITIAL INSTALLATION PLACE 0.0787" SHIMS UNDER THE FEET OF THE MOTOR.
 THE CUSTOMER IS RESPONSIBLE FOR THE DESIGN AND CONSTRUCTION OF THE FOUNDATION.
 IT SHALL BE SUFFICIENTLY RIGID TO WITHSTAND SHORT CIRCUIT FORCES. TO AVOID RESONANCE
 VIBRATIONS THE FOUNDATION SHALL BE DESIGNED SO THAT THE NATURAL FREQUENCY
 OF FOUNDATION TOGETHER WITH MACHINE IS NOT WITHIN $\pm 20\%$ OF RUNNING SPEED FREQUENCY.
 THE CUSTOMER IS ALSO RESPONSIBLE FOR LATERAL AND TORSIONAL CRITICAL SPEED ANALYSIS OF
 THE COMPLETE INSTALLATION.

Rev	Change	Responsible dept.	Title	Scale
Prepared	2006-07-26 A.MATTILA	ATAP/PID	DIMENSION PRINT SQUIRREL CAGE MOTOR	1:15
Approved	2006-07-26 O.LAHTINEN	Take over dept.		
Material			Code 13 BM 68_NEMA A / 400	Language en
Supersedes	Superseded by		Type M3BM/GM 688L4-12 B3	Size A3
ABB Oy, Electrical Machines, Helsinki			Document No. 3GZF500099-44	Revision A
				Sheet 1/1

1

2

3

4

5

6