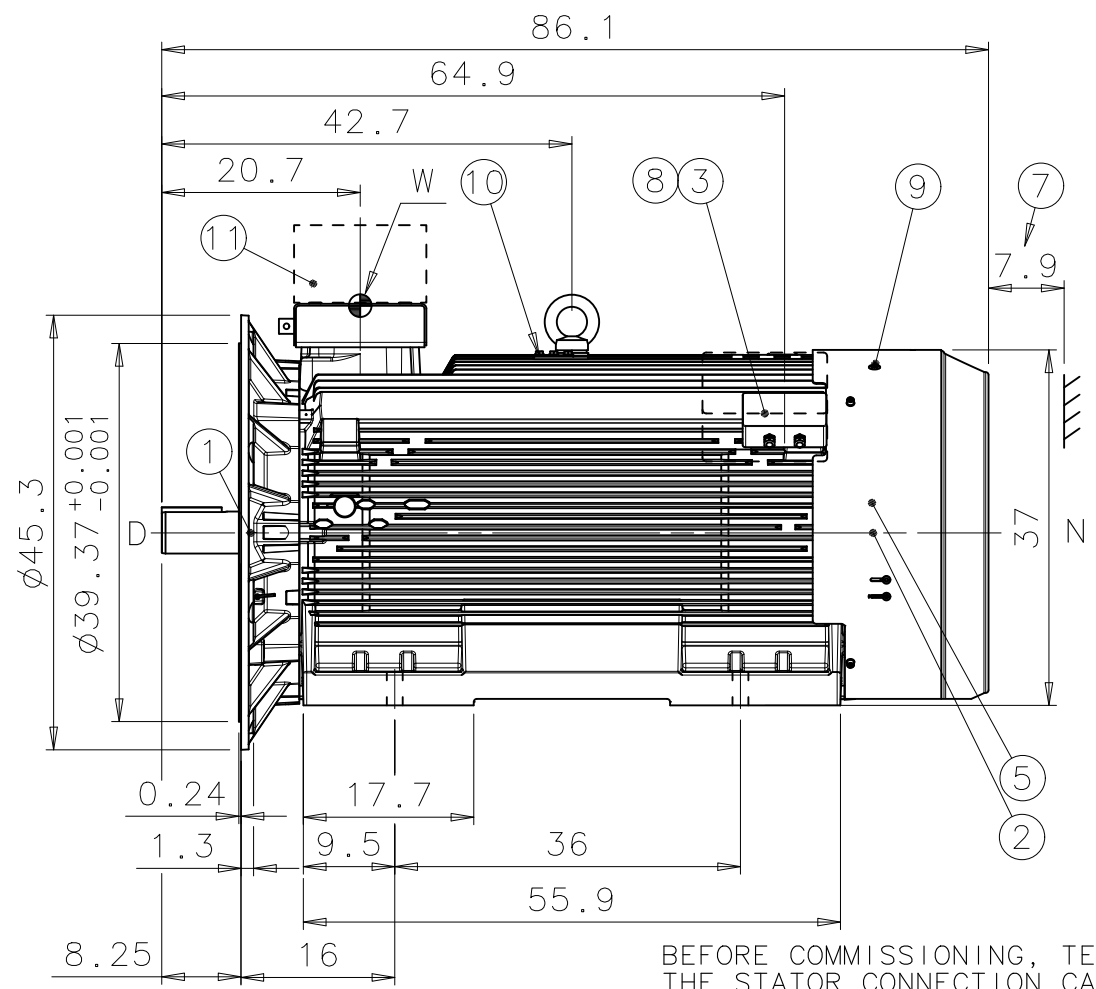
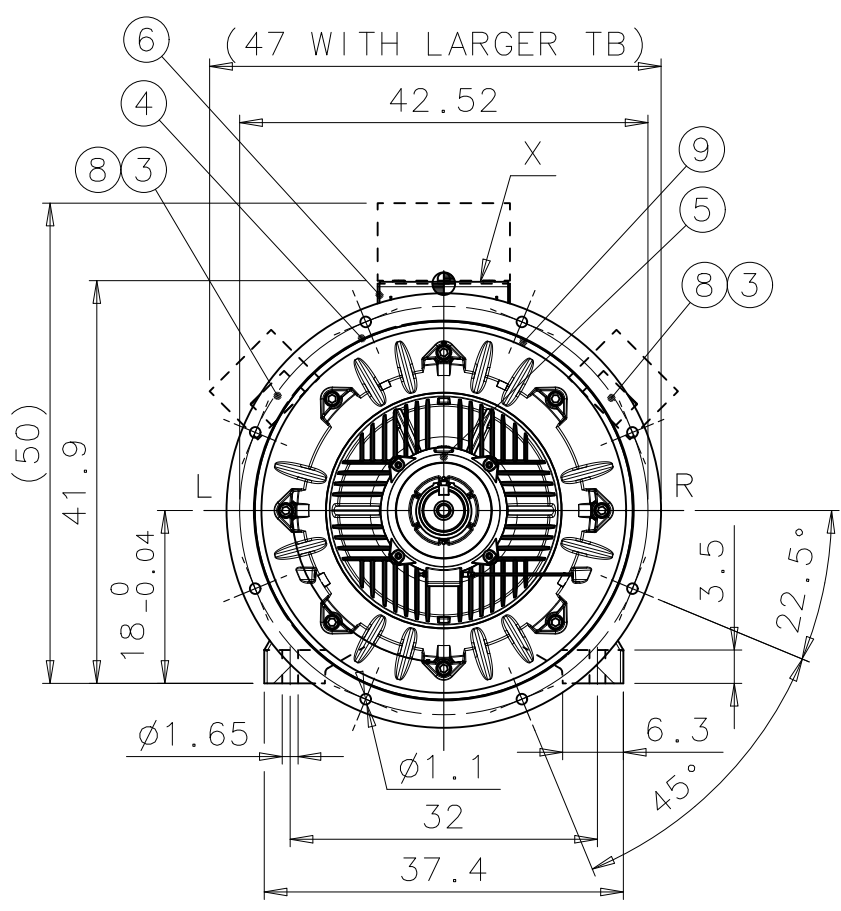
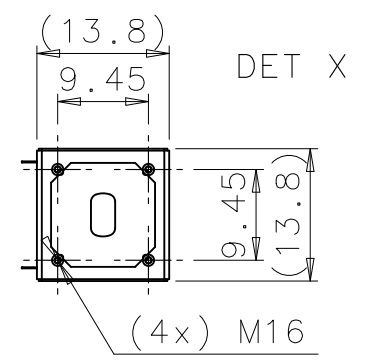
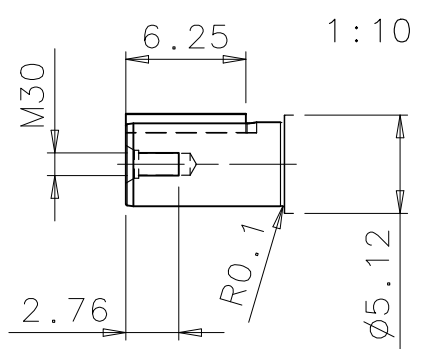
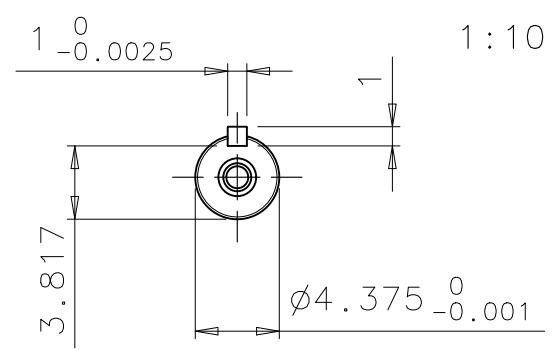


1 2 3 4 5 6



1	D-BEARING	6326M/C3
2	N-BEARING	6322/C3 INSULATED 6322/C3 (OPTIONAL)
3	TERMINAL BOX FOR CONTROL CAPLE 10-14, 2xM20x1,5 LARGER TERMINAL BOX (OPTIONAL)	
4	SPM NIPPLE DE AND NDE	
5	PT-100 FOR BEARINGS (OPTIONAL)	
6	INTERMEDIATE BOX	
7	FREE DISTANCE FOR COOLING	
8	TERMINAL BOX FOR HEATING ELEMENT CAPLE 10-14, 1xM20x1,5 (OPTIONAL)	
9	GREASING NIPPLE DE AND NDE	
10	EARTHING, M12, FOR M3GM MAX 150mm <sup>2</sup>	
11	TRANSPORTATION COVER, SIX (6) LEADS OUT 1.5m (5ft)	

We reserve all rights in this document and in the information contained therein. Reproduction, use or disclosure to third parties without express authority is strictly forbidden. © ABB Oy, Electrical Machines, Helsinki

BEFORE COMMISSIONING, TERMINAL ARRANGEMENT SHALL BE SUCH THAT THE STATOR CONNECTION CABLES ARE COVERED WITH EARTHED PROTECTIVE STRUCTURE (E.G. MAIN TERMINAL BOX AND ADEQUATE INTERMEDIATE BOX).

MAIN TERMINAL BOXES ARE NOT INCLUDED IN MOTOR MANUFACTURER'S DELIVERY.

MAIN TERMINAL BOXES MUST FILL FOLLOWING REQUIREMENTS:  
 - FOR EXPLOSIVE ENVIRONMENTS EX CERTIFIED  
 - ENCLOSURE IP55 OR HIGHER ACC. TO SITE CONDITIONS

MAXIMUM MASS FOR MTB ASSEMBLY 600 kg,  
 MAXIMUM MOMENT FROM MTB ASSEMBLY ACCORDING TO POINT W 1600Nm.

DIMENSIONS IN INCHES

DURING THE INITIAL INSTALLATION PLACE 0.0787" SHIMS UNDER THE FEET OF THE MOTOR. THE CUSTOMER IS RESPONSIBLE FOR THE DESIGN AND CONSTRUCTION OF THE FOUNDATION. IT SHALL BE SUFFICIENTLY RIGID TO WITHSTAND SHORT CIRCUIT FORCES. TO AVOID RESONANCE VIBRATIONS THE FOUNDATION SHALL BE DESIGNED SO THAT THE NATURAL FREQUENCY OF FOUNDATION TOGETHER WITH MACHINE IS NOT WITHIN ±20% OF RUNNING SPEED FREQUENCY. THE CUSTOMER IS ALSO RESPONSIBLE FOR LATERAL AND TORSIONAL CRITICAL SPEED ANALYSIS OF THE COMPLETE INSTALLATION.

Rev	Change	Date	Prep.	Approved	Scale
Prepared	2006-09-18 M.VÄKIPARTA		Responsible dept.	ATAP/PID	1:20
Approved	2006-09-18 O.LAHTINEN		Take over dept.		
Material		Code	13 BM 72_NEMA A / 450		Language
Supersedes	Superseded by	Type	M3BM/GM 728L4-12 B35		Size
ABB ABB Oy, Electrical Machines, Helsinki		Document No.	Revision	Sheet	
		3GZF500002-16	A	1/1	

1 2 3 4 5 6