

A

B

C

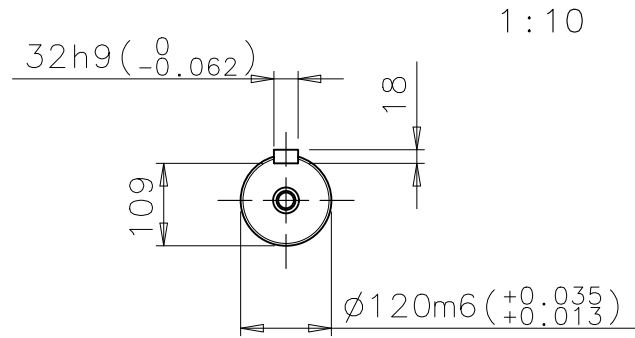
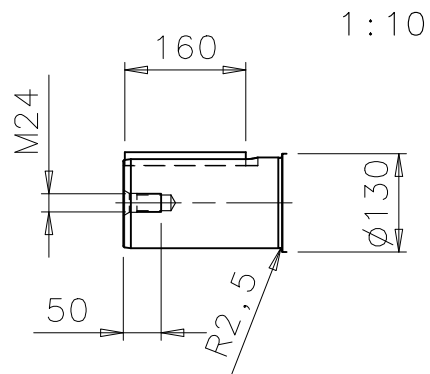
D

A

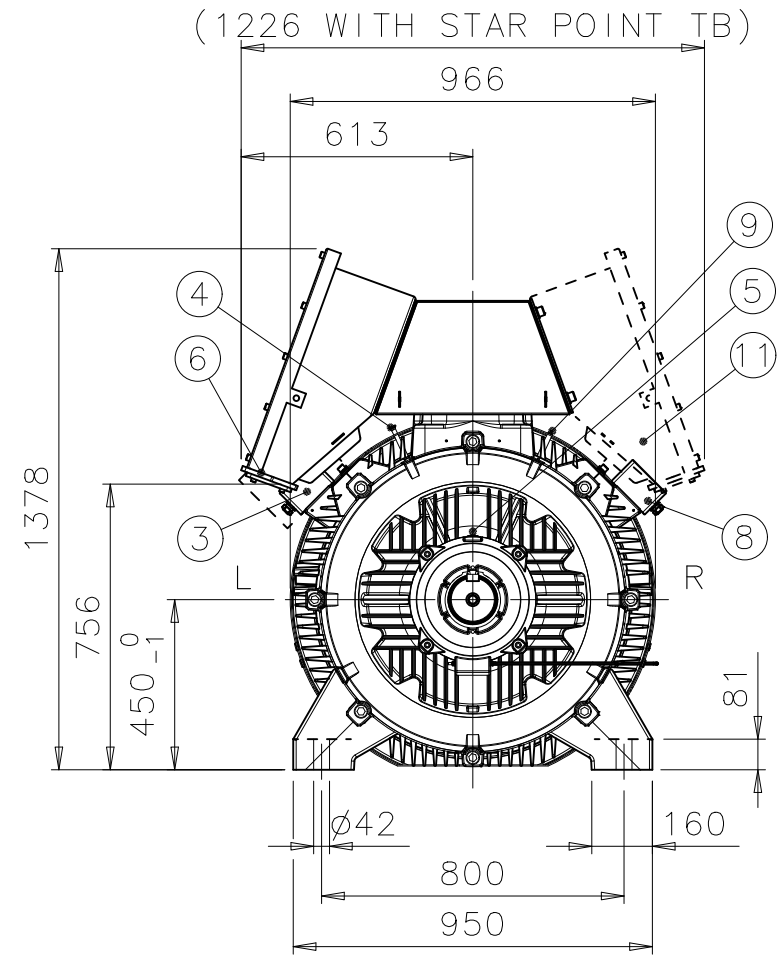
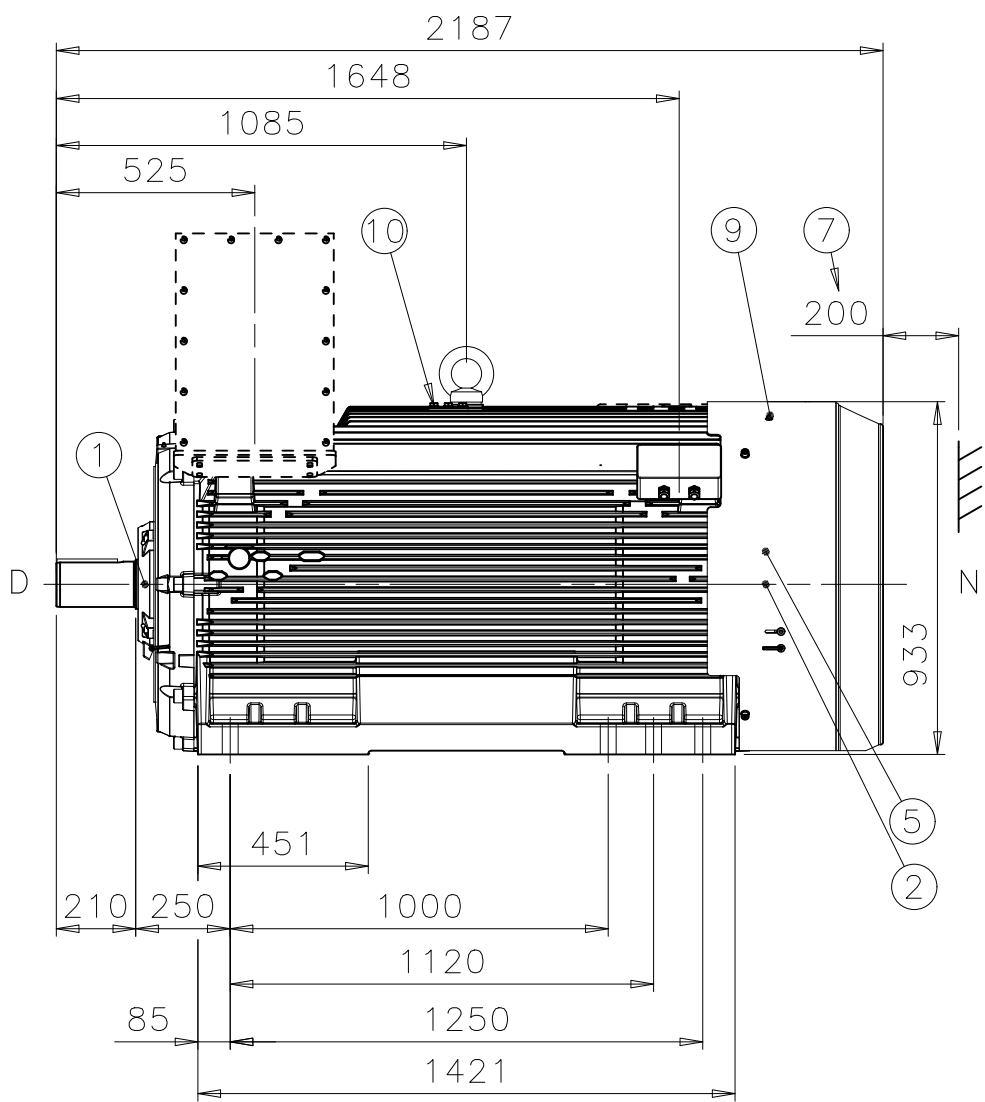
B

C

D



1	D-BEARING 6326M/C3 NU326M/C3 (OPTIONAL)
2	N-BEARING 6322/C3 INSULATED 6322/C3 (OPTIONAL)
3	TERMINAL BOX FOR CONTROL CAPLE 10-14, 2xM20x1,5 LARGER TERMINAL BOX (OPTIONAL)
4	SPM NIPPLE DE AND NDE
5	PT-100 FOR BEARINGS (OPTIONAL)
6	MAIN TERMINAL BOX
7	FREE DISTANCE FOR COOLING
8	TERMINAL BOX FOR HEATING ELEMENT CAPLE 10-14, 1xM20x1,5 (OPTIONAL)
9	GREASING NIPPLE DE AND NDE
10	EARTHING, M12, FOR M3GM MAX 150mm ²
11	STAR POINT TERMINAL BOX (OPTIONAL)



We reserve all rights in this document and in the information contained therein. Reproduction, use or disclosure to third parties without express authority is strictly forbidden.
 © ABB Oy, Machines, Helsinki

General tolerances ISO 2768-mK
 Threads according to ISO 965 tolerance class 6H
 Symbols for roughness acc. to ISO 1302

DURING THE INITIAL INSTALLATION PLACE 2 mm SHIMS UNDER THE FEET OF THE MOTOR. THE CUSTOMER IS RESPONSIBLE FOR THE DESIGN AND CONSTRUCTION OF THE FOUNDATION. IT SHALL BE SUFFICIENTLY RIGID TO WITHSTAND SHORT CIRCUIT FORCES. TO AVOID RESONANCE VIBRATIONS THE FOUNDATION SHALL BE DESIGNED SO THAT THE NATURAL FREQUENCY OF FOUNDATION TOGETHER WITH MACHINE IS NOT WITHIN ±20% OF RUNNING SPEED FREQUENCY. THE CUSTOMER IS ALSO RESPONSIBLE FOR LATERAL AND TORSIONAL CRITICAL SPEED ANALYSIS OF THE COMPLETE INSTALLATION.

Rev	Change	Date	Prep.	Approved	Scale
Prepared	2006-08-16 M.VÄKIPARTA	Responsible dept.	ATAP/PID	Title	1:20
Approved	2006-08-16 O.LAHTINEN	Take over dept.		DIMENSION PRINT SQUIRREL CAGE MOTOR	
Material		Code	13 BM 450_IEC A / 450	Language	en
Supersedes	Superseded by	Type	M3BM/GM 450L4-12 B3	Size	A3
ABB Oy, Machines, Helsinki			Document No.	Revision	Sheet
			3GZF500045-72	A	1/1