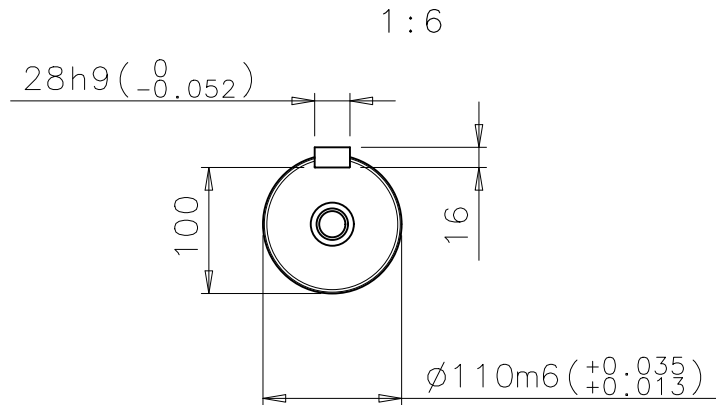
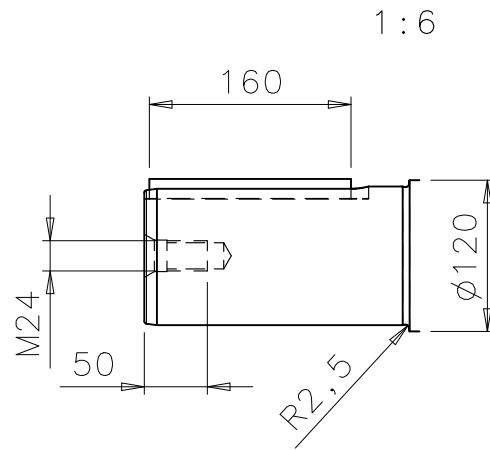
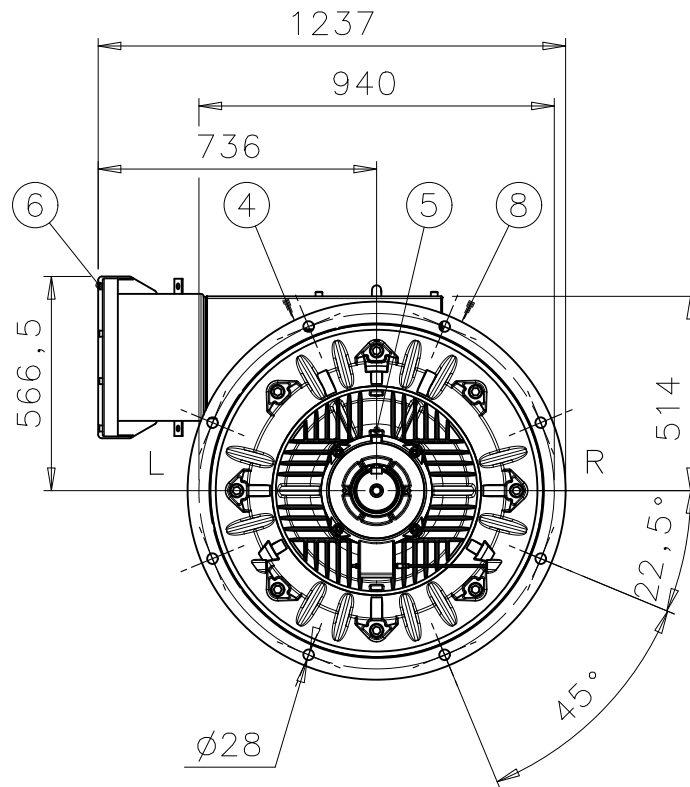
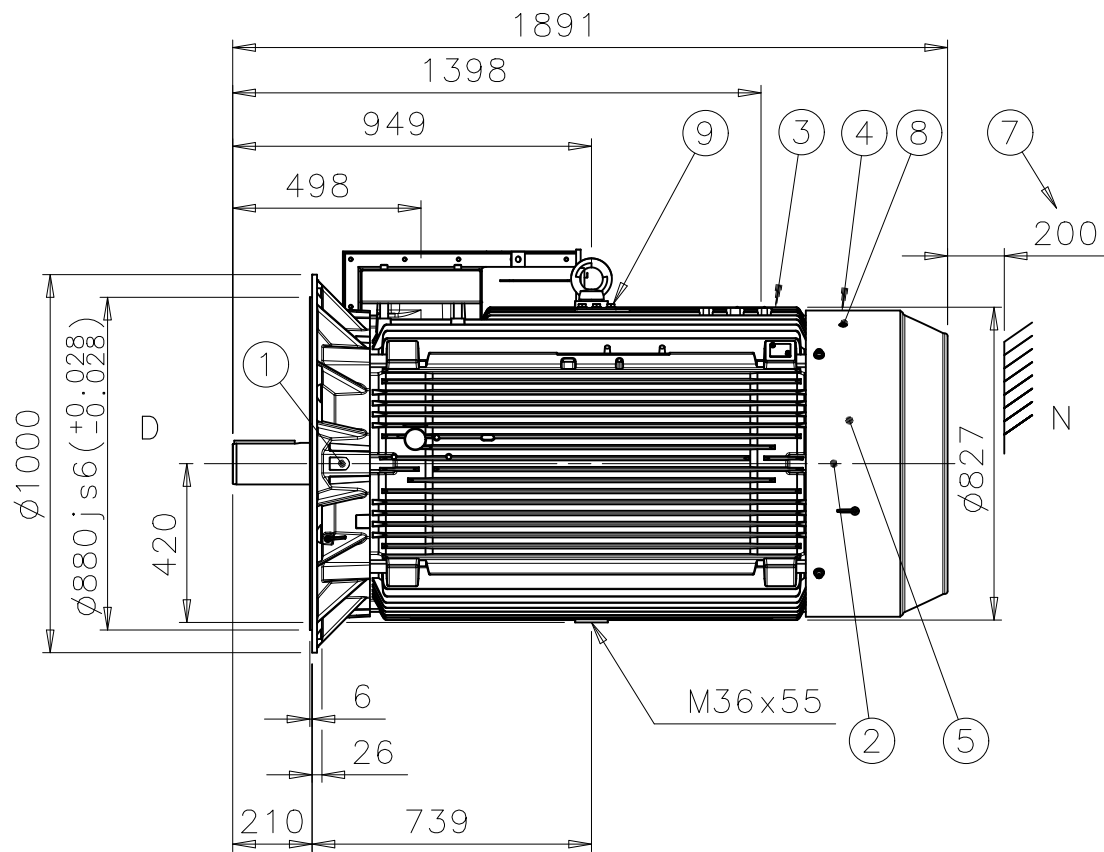


A



B



1	D-BEARING	6324/C3
2	N-BEARING	6319/C3
3	TERMINAL BOX FOR CONTROL CABLE $\phi 10-14$, 2xM20x1,5	
4	SPM NIPPLE DE AND NDE	
5	PT-1000 FOR BEARINGS (OPTIONAL)	
6	MAIN TERMINAL BOX	
7	FREE DISTANCE FOR COOLING	
8	GREASING NIPPLE DE AND NDE	
9	EARTHING, M12, FOR M3GM MAX 150mm ²	

A

B

C

C

D

D

We reserve all rights in this document and in the information contained therein. Reproduction, use or disclosure to third parties without express authority is strictly forbidden. © ABB Oy, Machines, Helsinki

General tolerances ISO 2768-mK
Threads according to ISO 965 tolerance class 6H
Symbols for roughness acc. to ISO 1302

THE CUSTOMER IS RESPONSIBLE FOR THE DESIGN AND CONSTRUCTION OF THE FOUNDATION. IT SHALL BE SUFFICIENTLY RIGID TO WITHSTAND SHORT CIRCUIT FORCES. TO AVOID RESONANCE VIBRATIONS THE FOUNDATION SHALL BE DESIGNED SO THAT THE NATURAL FREQUENCY OF FOUNDATION TOGETHER WITH MACHINE IS NOT WITHIN $\pm 20\%$ OF RUNNING SPEED FREQUENCY. THE CUSTOMER IS ALSO RESPONSIBLE FOR LATERAL AND TORSIONAL CRITICAL SPEED ANALYSIS OF THE COMPLETE INSTALLATION.

B DIMENSIONING REVISED, M3BM→M3BM/GM		2006-10-23	AK	OL
Rev	Change	Date	Prep.	Approved
Prepared	2005-03-31 M.KOSKINEN	Responsible dept.	ATAP/PID	
Approved	2005-09-02 J.KARJALAINEN	Take over dept.		
Material		Code	13 BM 400 A / 400	
Supersedes		Superseded by	M3BM/GM 400L4-12 B5	
ABB Oy, Machines, Helsinki		Document No.	Revision	Sheet
		3GZF500040-139	B	1/1