

A

B

C

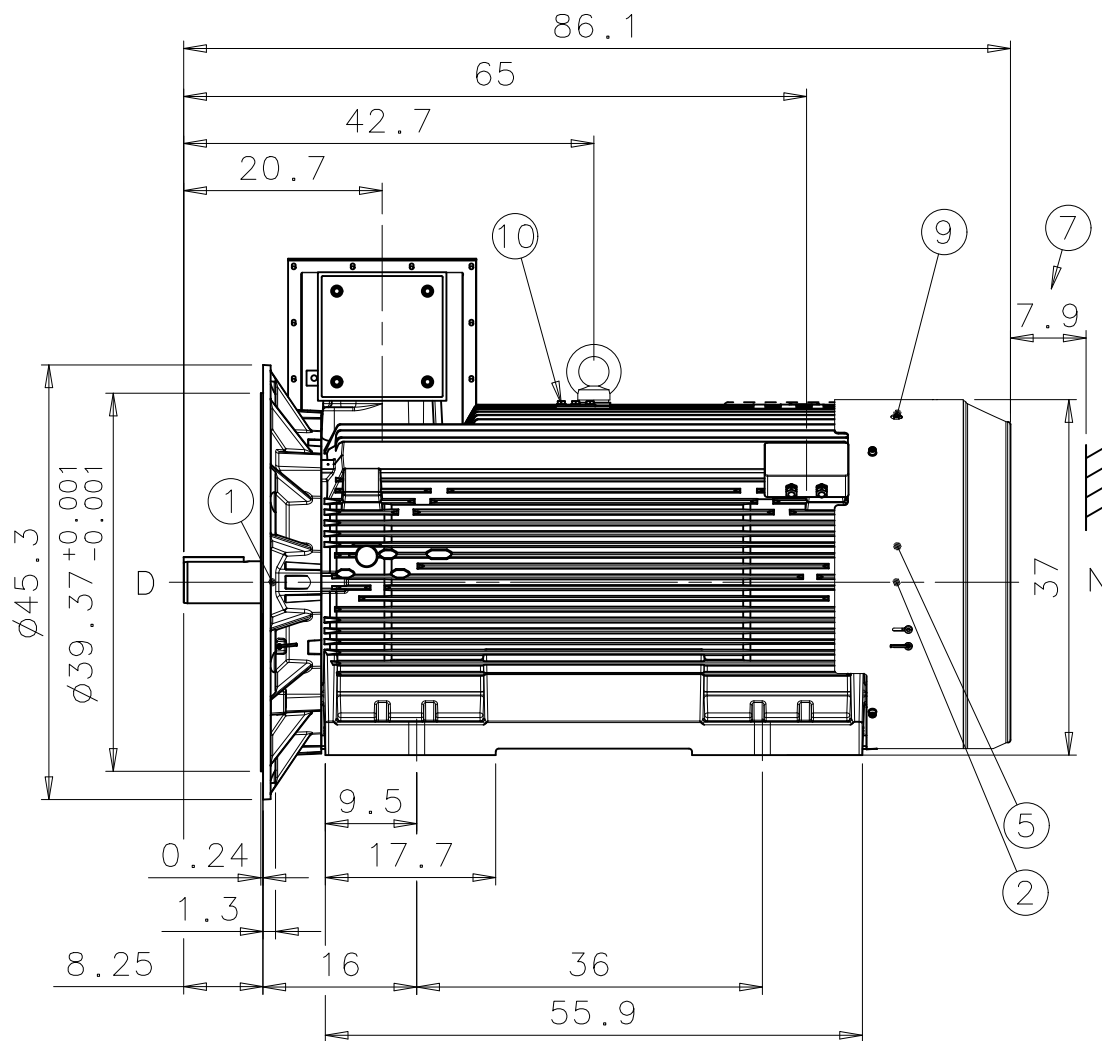
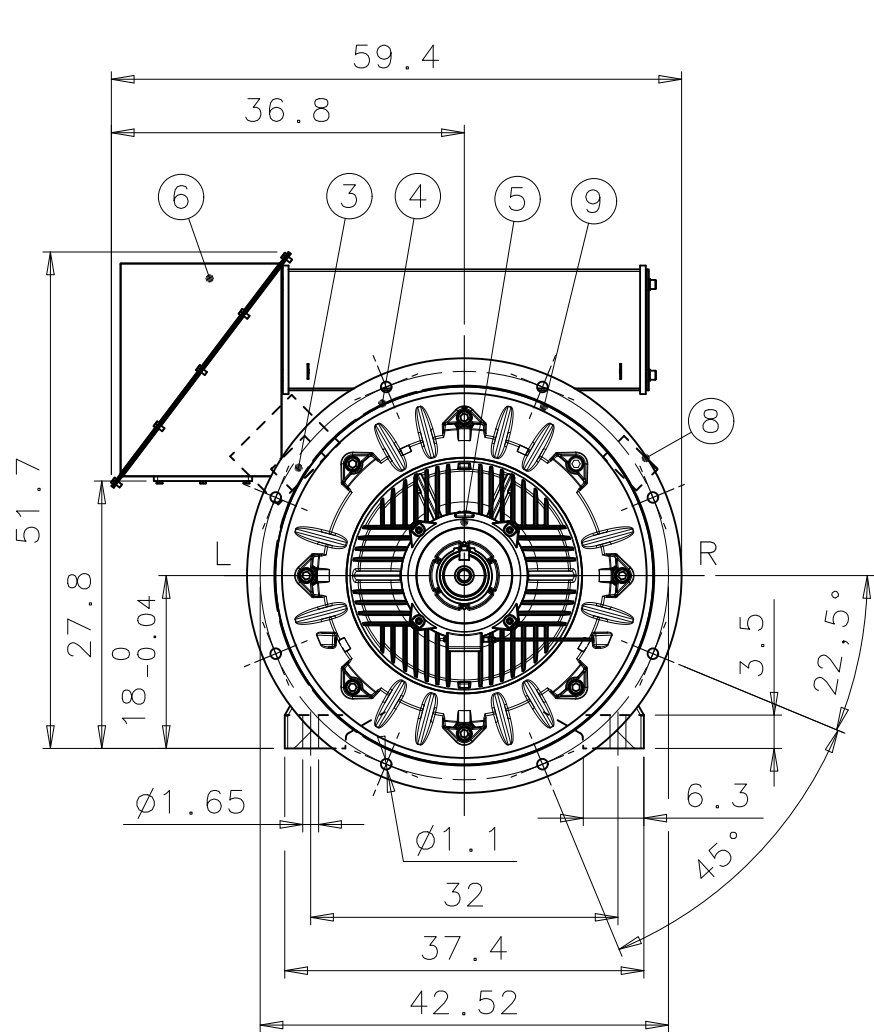
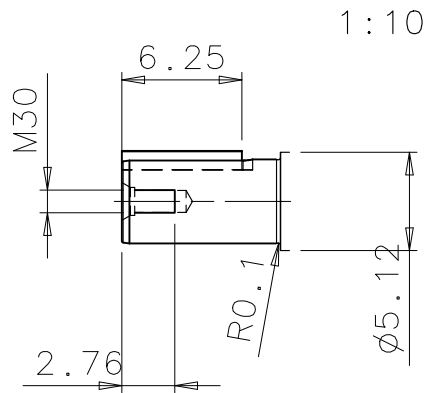
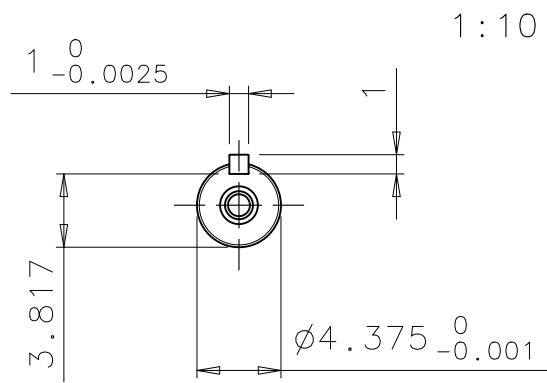
D

A

B

C

D



1	D-BEARING 6326M/C3
2	N-BEARING 6322/C3 INSULATED 6322/C3 (OPTIONAL)
3	TERMINAL BOX FOR CONTROL CAPLE 10-14, 2xM20x1,5 LARGER TERMINAL BOX (OPTIONAL)
4	SPM NIPPLE DE AND NDE
5	PT-100 FOR BEARINGS (OPTIONAL)
6	MAIN TERMINAL BOX
7	FREE DISTANCE FOR COOLING
8	TERMINAL BOX FOR HEATING ELEMENT CAPLE 10-14, 1xM20x1,5 (OPTIONAL)
9	GREASING NIPPLE DE AND NDE
10	EARTHING, M12, FOR M3GM MAX 150mm ²

We reserve all rights in this document and in the information contained therein. Reproduction, use or disclosure to third parties without express authority is strictly forbidden.
 © ABB Oy, Electrical Machines, Helsinki

General tolerances ISO 2768-mK
 Threads according to ISO 965 toleranceclass 6H
 Symbols for roughness acc. to ISO 1302

DIMENSIONS IN INCHES

DURING THE INITIAL INSTALLATION PLACE 0.0787" SHIMS UNDER THE FEET OF THE MOTOR. THE CUSTOMER IS RESPONSIBLE FOR THE DESIGN AND CONSTRUCTION OF THE FOUNDATION. IT SHALL BE SUFFICIENTLY RIGID TO WITHSTAND SHORT CIRCUIT FORCES. TO AVOID RESONANCE VIBRATIONS THE FOUNDATION SHALL BE DESIGNED SO THAT THE NATURAL FREQUENCY OF FOUNDATION TOGETHER WITH MACHINE IS NOT WITHIN ±20% OF RUNNING SPEED FREQUENCY. THE CUSTOMER IS ALSO RESPONSIBLE FOR LATERAL AND TORSIONAL CRITICAL SPEED ANALYSIS OF THE COMPLETE INSTALLATION.

B M3BM->M3BM/GM		2006-10-18	AK	OLLA
Rev	Change	Date	Prep.	Approved
Prepared 2006-09-18 M.VÄKIPARTA		Responsible dept. ATAP/PID		Title DIMENSION PRINT SQUIRREL CAGE MOTOR
Approved 2006-09-18 O.LAHTINEN		Take over dept.		Scale 1:20
Material		Code 13 BM 72_NEMA A / 450		Language en
Supersedes		Superseded by		Type M3BM/GM 728L4-12 B35
ABB ABB Oy, Electrical Machines, Helsinki		Document No. 3GZF500002-15		Revision B
				Sheet 1/1