

A

B

C

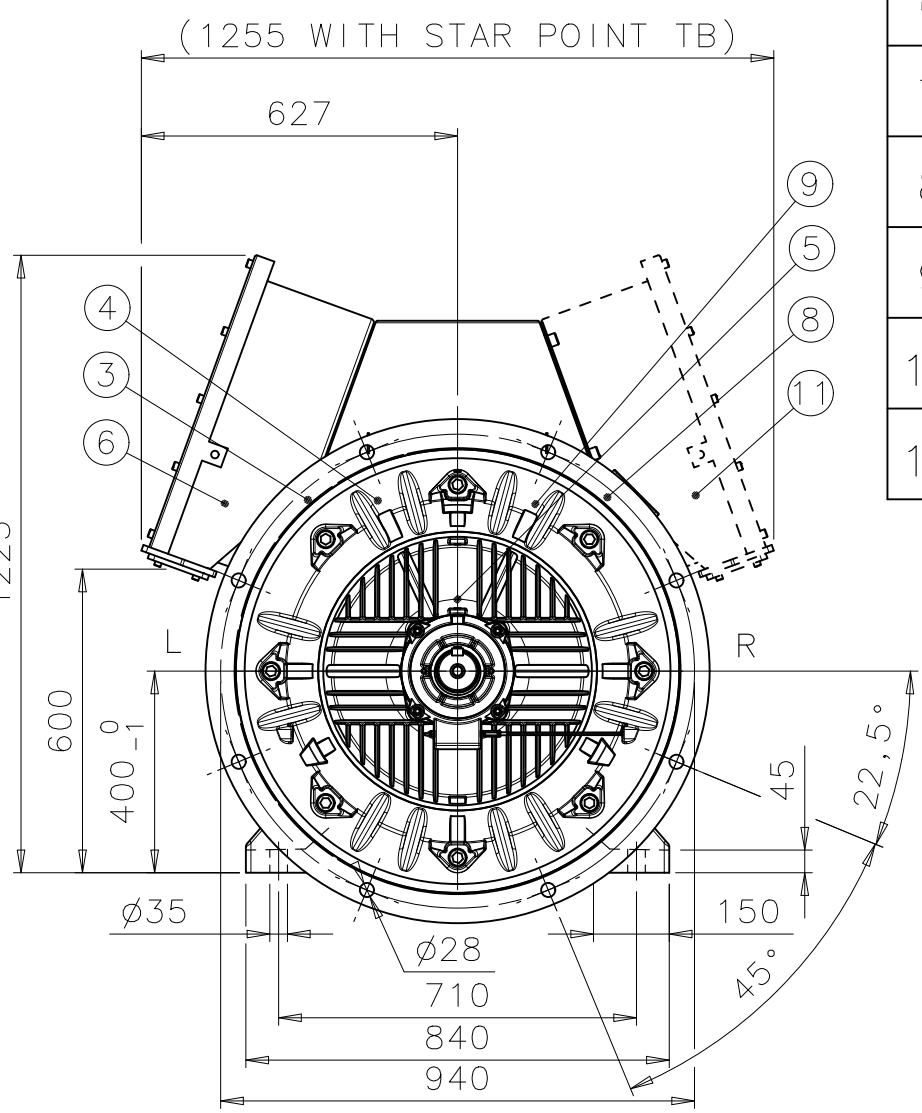
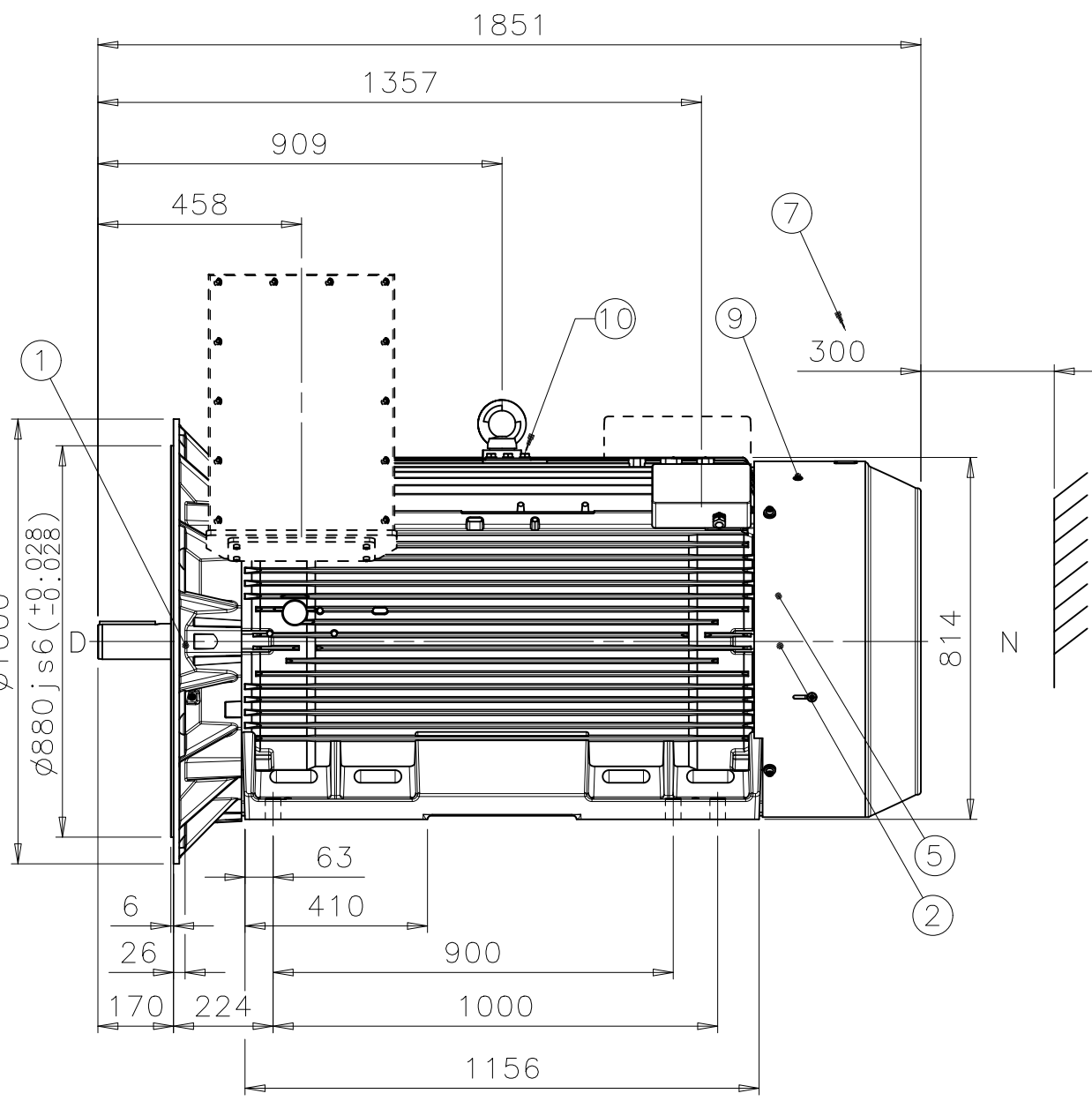
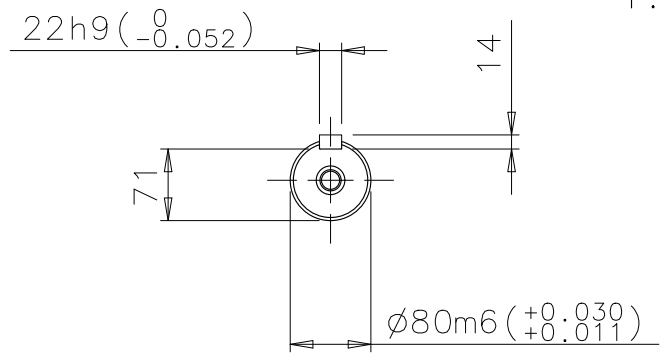
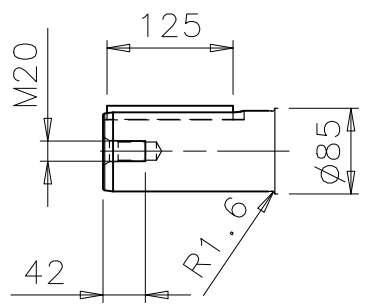
D

3

4

5

6



1	D-BEARING	6317M/C3
2	N-BEARING	6317M/C3 INSULATED 6317M/C3 (OPTIONAL)
3	TERMINAL BOX FOR CONTROL CABLE Ø10-14, 2xM20x1,5	LARGER TERMINAL BOX (OPTIONAL)
4	SPM NIPPLE DE AND NDE	
5	PT-100 FOR BEARINGS (OPTIONAL)	
6	MAIN TERMINAL BOX	
7	FREE DISTANCE FOR COOLING	
8	TERMINAL BOX FOR HEATING ELEMENT CABLE Ø10-14, 1xM20x1,5	(OPTIONAL)
9	GREASING NIPPLE DE AND NDE	
10	EARTHING, M12, FOR M3GM MAX 150mm <sup>2</sup>	
11	STAR POINT TERMINAL BOX (OPTIONAL)	

A

B

C

D

We reserve all rights in this document and in the information contained therein. Reproduction, use or disclosure to third parties without express authority is strictly forbidden.  
 © ABB Oy, Electrical Machines, Helsinki

General tolerances ISO 2768-mK  
 Threads according to ISO 965 tolerance class 6H  
 Symbols for roughness acc. to ISO 1302

DURING THE INITIAL INSTALLATION PLACE 2 mm SHIMS UNDER THE FEET OF THE MOTOR. THE CUSTOMER IS RESPONSIBLE FOR THE DESIGN AND CONSTRUCTION OF THE FOUNDATION. IT SHALL BE SUFFICIENTLY RIGID TO WITHSTAND SHORT CIRCUIT FORCES. TO AVOID RESONANCE VIBRATIONS THE FOUNDATION SHALL BE DESIGNED SO THAT THE NATURAL FREQUENCY OF FOUNDATION TOGETHER WITH MACHINE IS NOT WITHIN ±20% OF RUNNING SPEED FREQUENCY. THE CUSTOMER IS ALSO RESPONSIBLE FOR LATERAL AND TORSIONAL CRITICAL SPEED ANALYSIS OF THE COMPLETE INSTALLATION.

Rev	Change	Date	Prep.	Approved
Prepared	2006-07-13 A. KIVIJÄRVI		Responsible dept.	ATAP/PID
Approved	2006-07-13 O. LAHTINEN		Take over dept.	
Material		Code		13 BM 400 A / 400
Supersedes		Superseded by		Type
				M3BM/GM 400L2 B35
Document No.			Revision	Sheet
3GZF500040-216			A	1/1

1

2

3

4

5

6