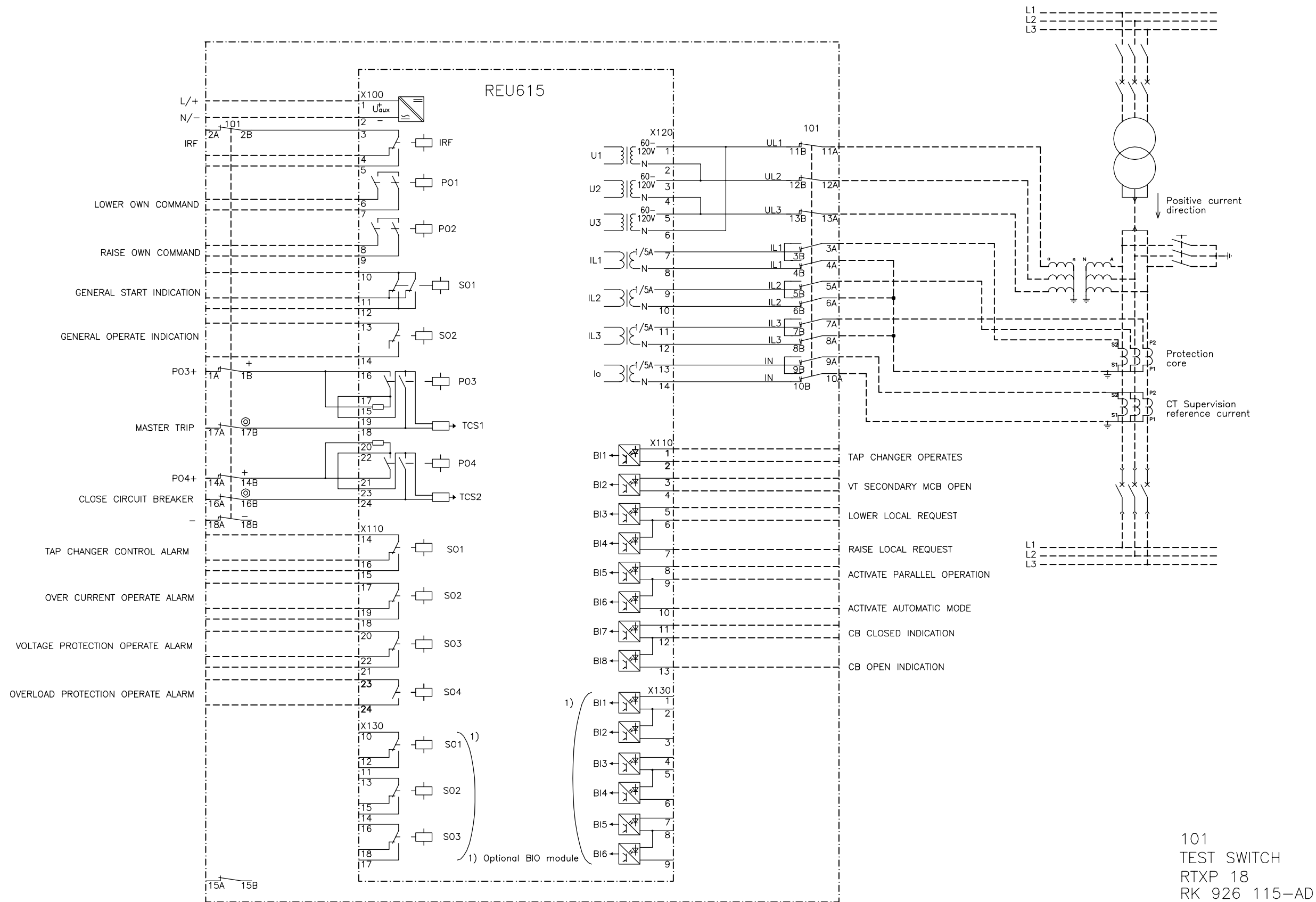


We reserve all rights in this document and in the information contained therein. Reproduction, use or disclosure to third parties without express authority is strictly forbidden. © ABB Oy.

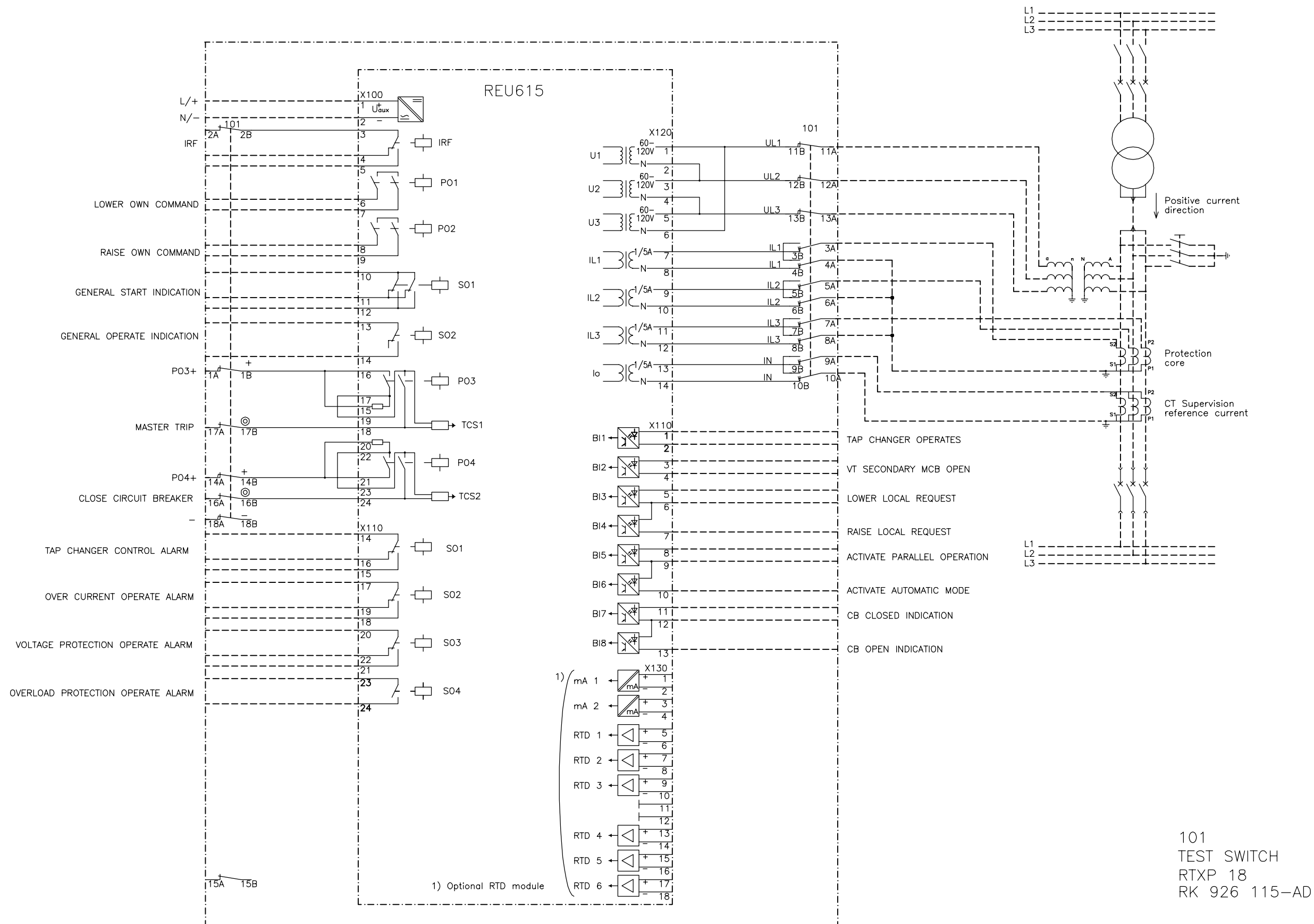


MUUTOS REVISION	C	
	B	Added sheet 2 with optional RTD module included. 3.1.2012/SB

TEKI PREPARED 12.05.2010 S.Björklund	LITTY CONCERNING	NIMITYS NAME TERMINAL DIAGRAM	
TARKASTI CHECKED Petri Koivula	TOLERANSSIT TOLERANCES	REU615 VOLTAGE RELAY CONFIGURATION (B)	
HYVÄKSY APPROVED Timo Rintamäki	SUHDE SCALE	PROJ	LEHTI SHEET 1/2
OSASTO DEPT. RSG		PIIRUSTUS NO DRAWING NO 2RCA025529	PAINOS REVISION B

ABB ABB Oy
Distribution Automation

We reserve all rights in this document and in the information contained therein. Reproduction, use or disclosure to third parties without express authority is strictly forbidden. © ABB Oy.



MUUTOS REVISION	C	Added sheet 2 with optional RTD module included. 3.1.2012/SB
	B	

TEKI PREPARED 12.05.2010 S.Björklund	LITTY CONCERNING	NIMITYS NAME TERMINAL DIAGRAM	
TARKASTI CHECKED Petri Koivula	TOLERANSSIT TOLERANCES	REU615 VOLTAGE RELAY CONFIGURATION (B)	
HYVÄKSYI APPROVED Timo Rintamäki	SUHDE SCALE	PROJ	LEHTI SHEET 2/2
OSASTO DEPT. RSG		PIIRUSTUS NO DRAWING NO 2RCA025529	PAINOS REVISION B

ABB ABB Oy
Distribution Automation