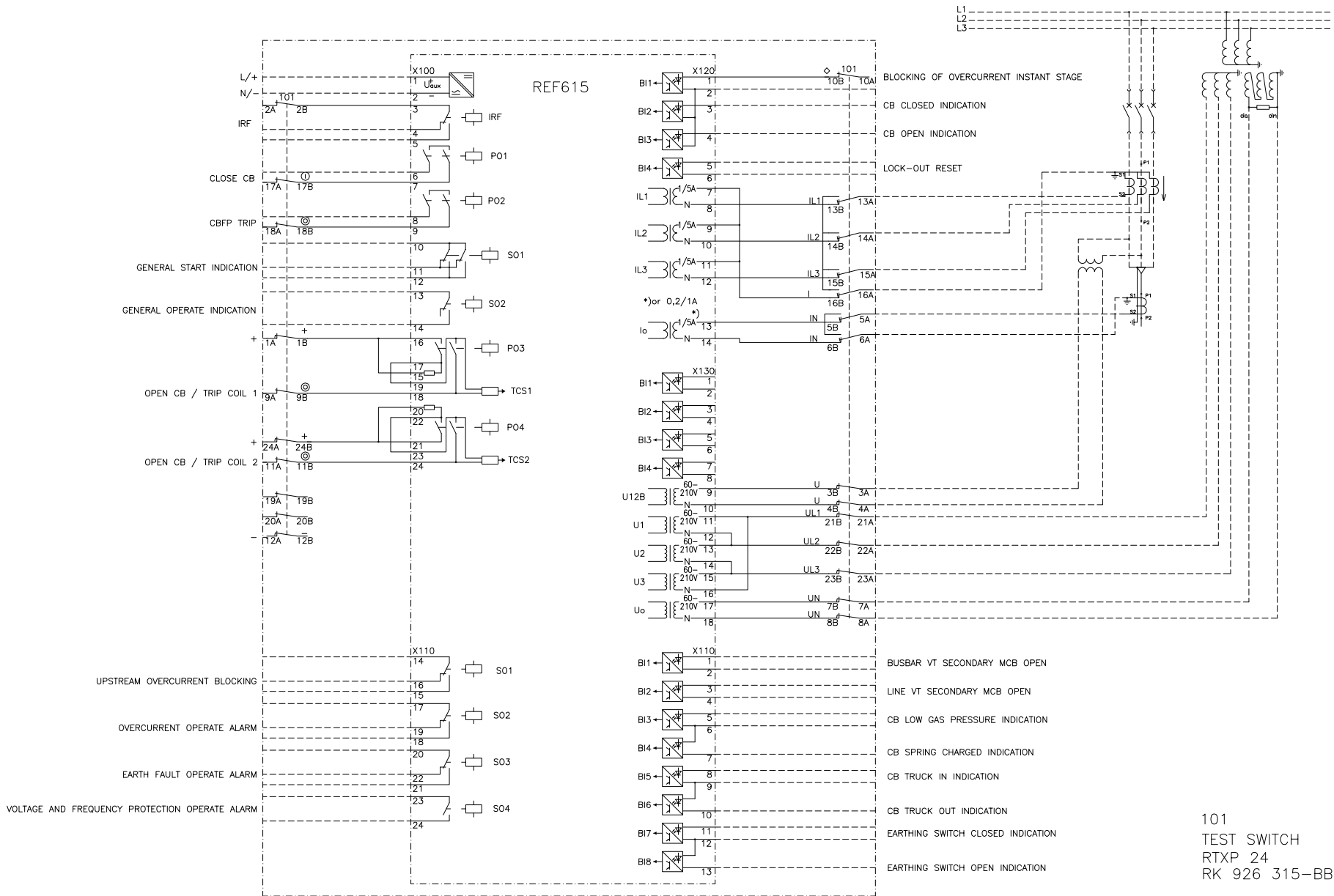


We reserve all rights in this document and in the information contained therein. Reproduction, use or disclosure to third parties without express authority is strictly forbidden. © ABB Oy.



101
TEST SWITCH
RTXP 24
RK 926 315-BB

TEKI PREPARED 03.08.2010 S.Björklund	LITTYY CONCERNING	NIMITYS NAME TERMINAL DIAGRAM	
TARKASTI CHECKED Petri Koivula	TOLERANSSIT TOLERANCES	REF615 FEEDER PROTECTION CONFIGURATION FE08 (H)	
HYVÄKSYN APPROVED Timo Rintamäki	SUHDE SCALE	PROJ	LEHTI SHEET
ABB ABB Oy Distribution Automation	OSASTO DEPT. RSG	PIIRUSTUS NO DRAWING NO 2RCA025524	PAINOS REVISION A

MUUTOS REVISION	C
	B