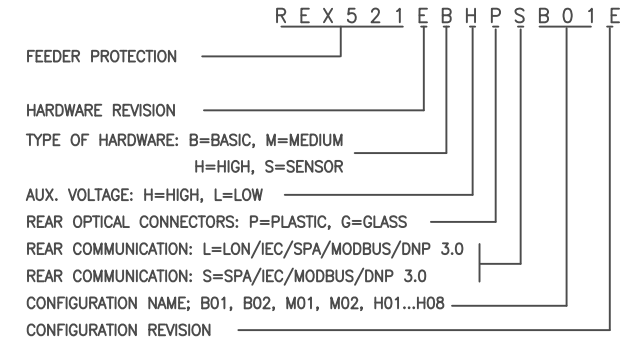


DECISION TABLE FOR SHEETS INCLUDED DEPENDING ON HARDWARE VARIANT

REX 521 HARDWARE VARIANTS

	BASIC				MEDIUM				HIGH				SENSOR				SHEETS INCLUDED													
	REX521EBHPSB0	REX521EBLPSB0	REX521EBHGSB0	REX521EBLGSB0	REX521EMHPSM0	REX521EMLPSM0	REX521EMHGSM0	REX521EMLGSM0	REX521EMHPLM0	REX521EMLPLM0	REX521EMHGLM0	REX521EMLGLM0	REX521EHHPSH0	REX521EHLPSH0	REX521EHHGSH0	REX521EHLGSH0		REX521EHPLSH0	REX521EHLPLSH0	REX521EHHGLH0	REX521EHLGLH0	REX521ESHPSH0	REX521ESLPSH0	REX521ESHGSH0	REX521ESLGS0	REX521ESHPLH0	REX521ESLPLH0	REX521ESHGLH0	REX521ESLGLH0	
SELECTED VARIANT (X) →																													2	
MODULES INCLUDED																														
MMI	CT 1/5 A	4	4	4	4	4	4	4	4	4	4	4	4	4	4	4	4	4	4	4	1	1	1	1	1	1	1	1	SEE TABLE 1	
	CT 0.2/1 A									1	1	1	1	1	1	1	1	1	1	1	1	1	1	1	1	1	1	1		
	VT 100V									1	1	1	1	1	1	1	1	1	1	1	4	4	4	4	4	4	4	4		
	Sensor Inputs																					6	6	6	6	6	6	6		6
CPU_SP1L	1	1				1	1					1	1															3		
CPU_SG1L			1	1			1	1					1	1									1	1				3		
CPU_LP1L				1	1				1	1					1	1								1	1			3		
CPU_LG1L					1	1					1	1					1	1								1	1	3		
PS87_L		1		1		1		1		1		1		1		1		1		1	1	1	1	1	1	1	1	3,8		
PS87_H	1		1		1		1		1		1		1		1		1		1		1	1	1	1	1	1	1	3,8		
MMI	1	1	1	1	1	1	1	1	1	1	1	1	1	1	1	1	1	1	1	1	1	1	1	1	1	1	1	3		



TRANSFORMER AND SENSOR MODULE	SHEETS INCLUDED
MIM4000 + RTXP 18	4
MIM4110 + RTXP 18	5
MIM4140 + RTXP 24	6
MIM1116 + RTXP 18	7
MIM4140 + RTXP 24	9 *)

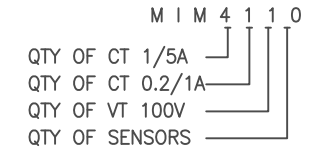


TABLE 1
SELECTED TYPE
*) CONFIGURATION H08

THE NAMING OF CPU MODULES

CPU_SP1L

- DI TRESHOLD VOLTAGE (L=18–265 VDC)
- AMOUNT OF DIGITAL INPUTS
- FIBRE OPTIC INTERFACE (G=GLASS, P=PLASTIC)
- COMMUNICATION (L=SPA / LON, S=SPA)

THE NAMING OF PS MODULES

PS87_L

- DI TRESHOLD VOLTAGE (L=18–265 VDC, H=75–265 VDC)
- AMOUNT OF OUTPUT RELAYS
- AMOUNT OF DIGITAL INPUTS

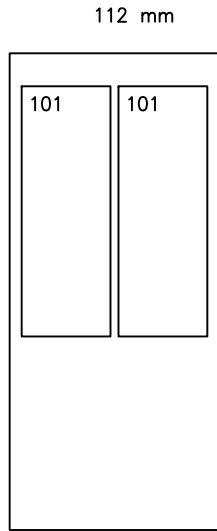
- D RS-485 interface added (sheet 3) 11.12.03 * SV
- E DNP 3.0 (sheet 3) and sheet 9 added.12.05.04 *SV
- F Changes on sheets 4,5,6,8,9. 30.11.04 *SB
- G Changes on sheet 3. X3.1/9–10. Sheet 7 updated. 26.09.06 *SB
- H Sheets 6 and 9 updated. 10.03.09 *SB

MUUTOS REVISION

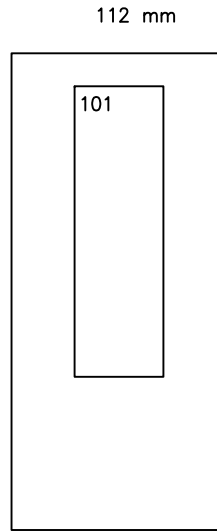
TEKI PREPARED 16-03-2001 S Björklund	LIITTYY CONCERNING	NIMITYS NAME TERMINAL DIAGRAM FEEDER PROTECTION REX 521		LEHTI SHEET 1 / 9
TARKASTI CHECKED Tuomo Rintamäki	TOLERANSSIT TOLERANCES			
HYVÄKSYI APPROVED Timo Rintamäki	SUHDE SCALE	PROJ		
	OSASTO DEPT. RSG	PIIRUSTUS NO DRAWING NO 1MRS010251-AAA		PAINOS REVISION H

We reserve all rights in this document and in the information contained therein. Reproduction, use or disclosure to third parties without express authority is strictly forbidden. © ABB Oy.

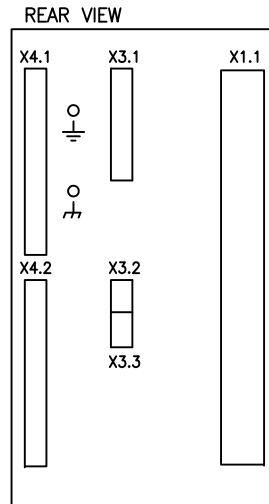
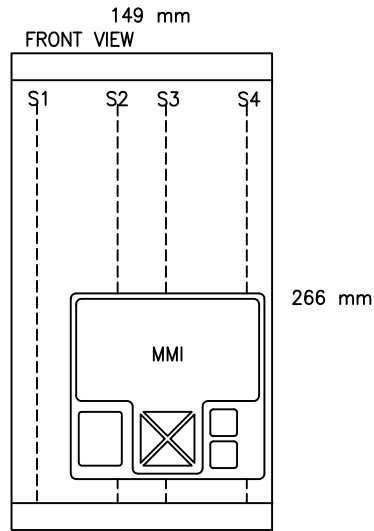
We reserve all rights in this document and in the information contained therein. Reproduction, use or disclosure to third parties without express authority is strictly forbidden. © ABB Oy.



101 RTXP 24



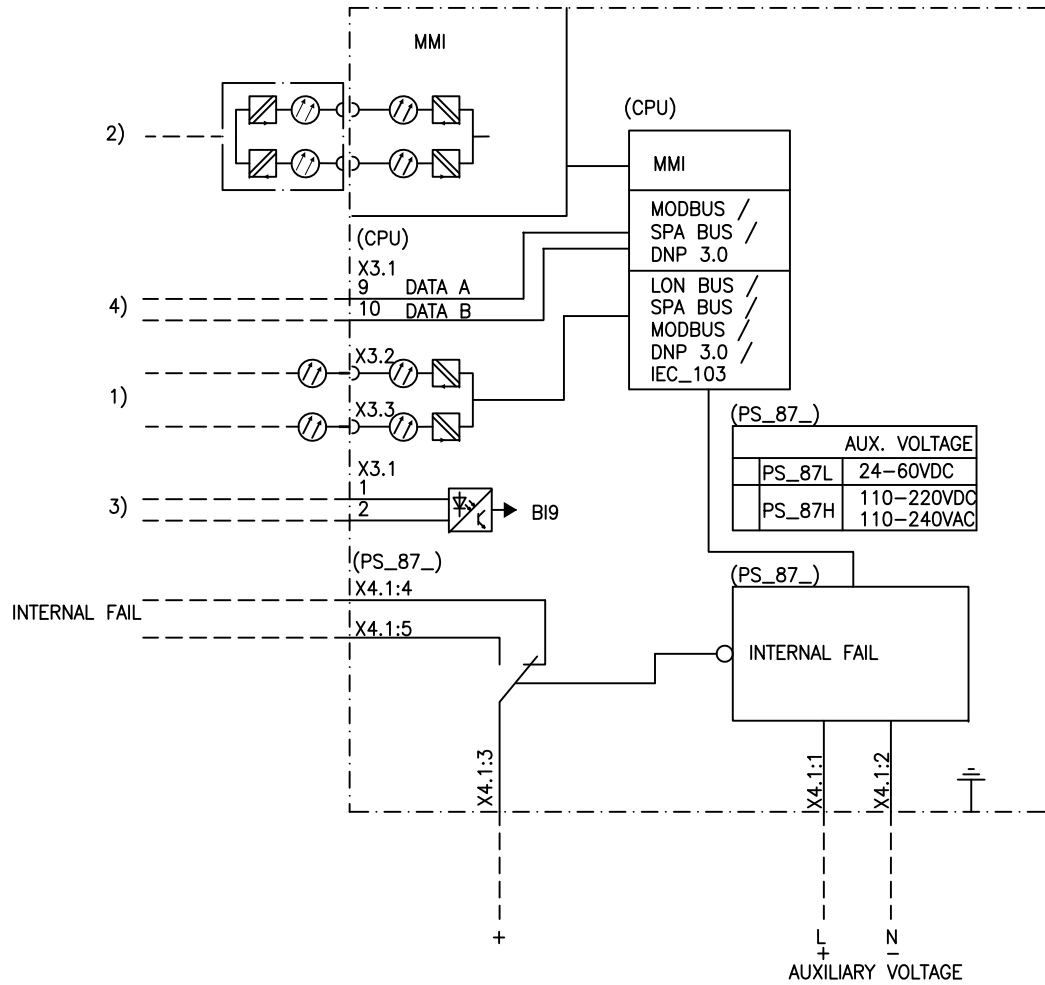
101 RTXP 18



DESIGNATION CORRESPONDING TO CASING		
MODULE	FRONT	REAR CONNECTOR
MIM	S1,S2	X1.1 and X2.1 ... X2.6
CPU	S3	X3.1, X3.2, X3.3
PS_87_	S4	X4.1 and X4.2

D	RS-485 interface added (sheet 3) 11.12.03 * SV
E	DNP 3.0 (sheet 3) and sheet 9 added.12.05.04 *SV
F	Changes on sheets 4,5,6,8,9. 30.11.04 *SB
G	Changes on sheet 3. X3.1/9-10. Sheet 7 updated. 26.09.06 *SB
H	Sheets 6 and 9 updated. 10.03.09 *SB

TEKI PREPARED 16-03-2001 S.Björklund	LITTYY CONCERNING	NIMITYS NAME TERMINAL DIAGRAM FEEDER PROTECTION REX 521, FRONT AND REAR VIEW	
TARKASTI CHECKED Tuomo Rintamäki	TOLERANSSIT TOLERANCES	SUHDE SCALE	PROJ
HYVÄKSYI APPROVED Timo Rintamäki	OSASTO DEPT. RSG	PIIRUSTUS NO DRAWING NO 1MRS010251-AAA	LEHTI SHEET 2 / 9
ABB ABB Oy Distribution Automation			PAINOS REVISION H



MODULE	POSITION	
	FRONT	REAR
CPU	S3	X3.1,X3.2,X3.3
PS_87_	S4	X4.1 and X4.2

- 1) DATA COMMUNICATION ,
FIBRE-OPTIC GLASS OR PLASTIC,
LON OR SPA,
DEPENDING ON CPU-MODULE USED.
- 2) OPTICAL PORT FROM MMI,
CONNECTION MADE WITH A SPECIAL
OPTICAL INTERFACE CABLE.
- 3) BINARY INPUT; RANGE 18-265 VDC
- 4) DATA COMMUNICATION ,
ISOLATED TWO-WIRE RS-485 INTERFACE

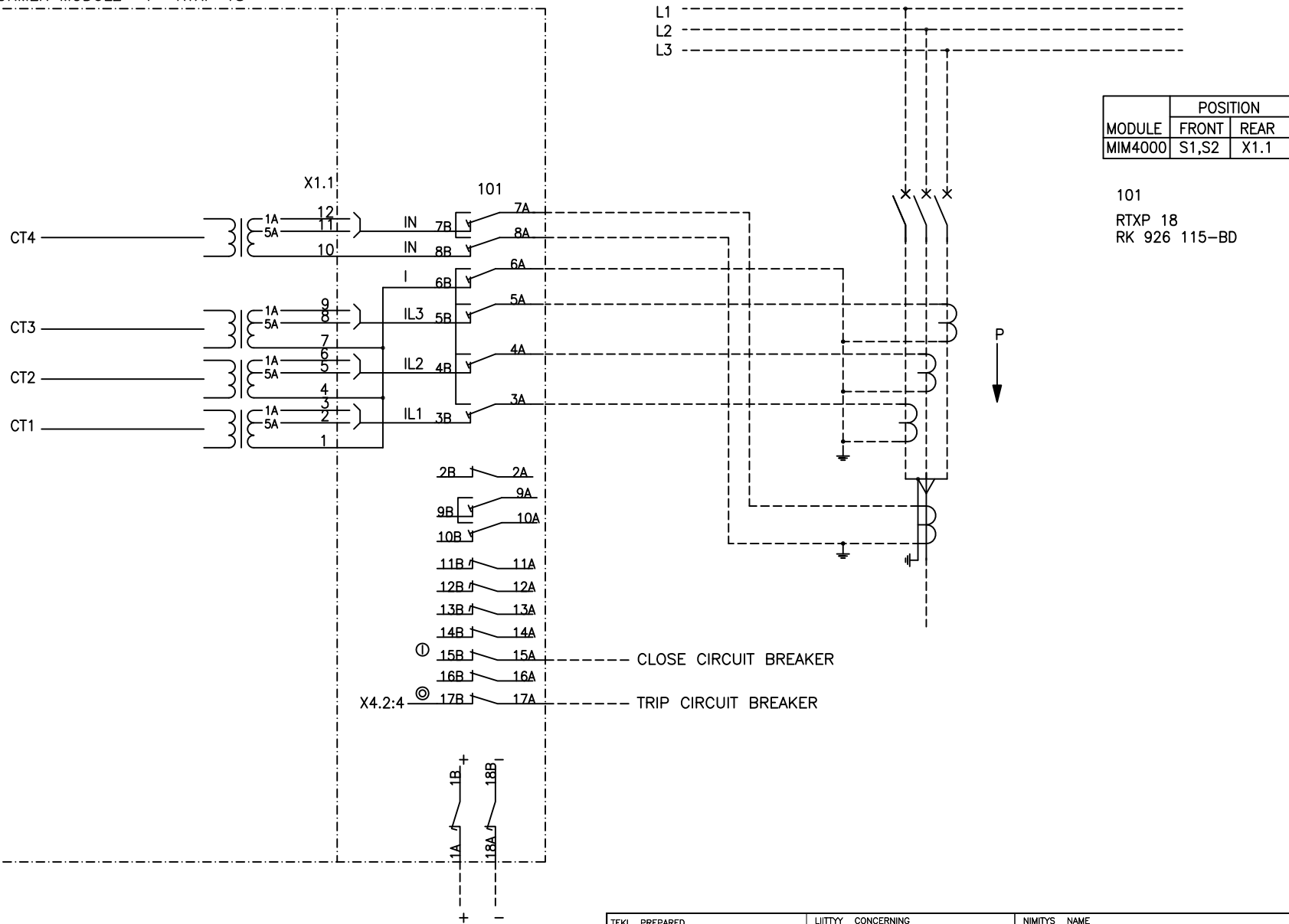
TEKI PREPARED 16-03-2000 S.Björklund	LIITTY CONCERNING	NIMIYS NAME TERMINAL DIAGRAM FEEDER PROTECTION REX 521	
TARKASTI CHECKED Tuomo Rintamäki	TOLERANSSIT TOLERANCES		
HYVÄKSY APPROVED Timo Rintamäki	SUHDE SCALE	PROJ	LEHTI SHEET 3 / 9
OSASTO DEPT. RSG		PIIRUSTUS NO DRAWING NO 1MRS010251-AAA	PAINOS REVISION H

D	RS-485 interface added (sheet 3) 11.12.03 * SV
E	DNP 3.0 and sheet 9 added.12.05.04 *SV
F	Changes on sheets 4,5,6,8,9. 30.11.04 *SB
G	Changes on sheet 3. X3.1/9-10. Sheet 7 updated. 26.09.06 *SB
H	Sheets 6 and 9 updated. 10.03.09 *SB

MUUTOS
REVISION

ABB ABB Oy
Distribution Automation

MIM4000, TRANSFORMER MODULE + RTXP 18



- D RS-485 interface added (sheet 3) 11.12.03 * SV
- E DNP 3.0 (sheet 3) and sheet 9 added.12.05.04 *SV
- F Signal X4.2:4 was X4.2:3. 30.11.04 *SB
- G Changes on sheet 3. X3.1/9-10. Sheet 7 updated. 26.09.06 *SB
- H Sheets 6 and 9 updated. 10.03.09 *SB

MUUTOS
REVISION

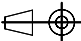
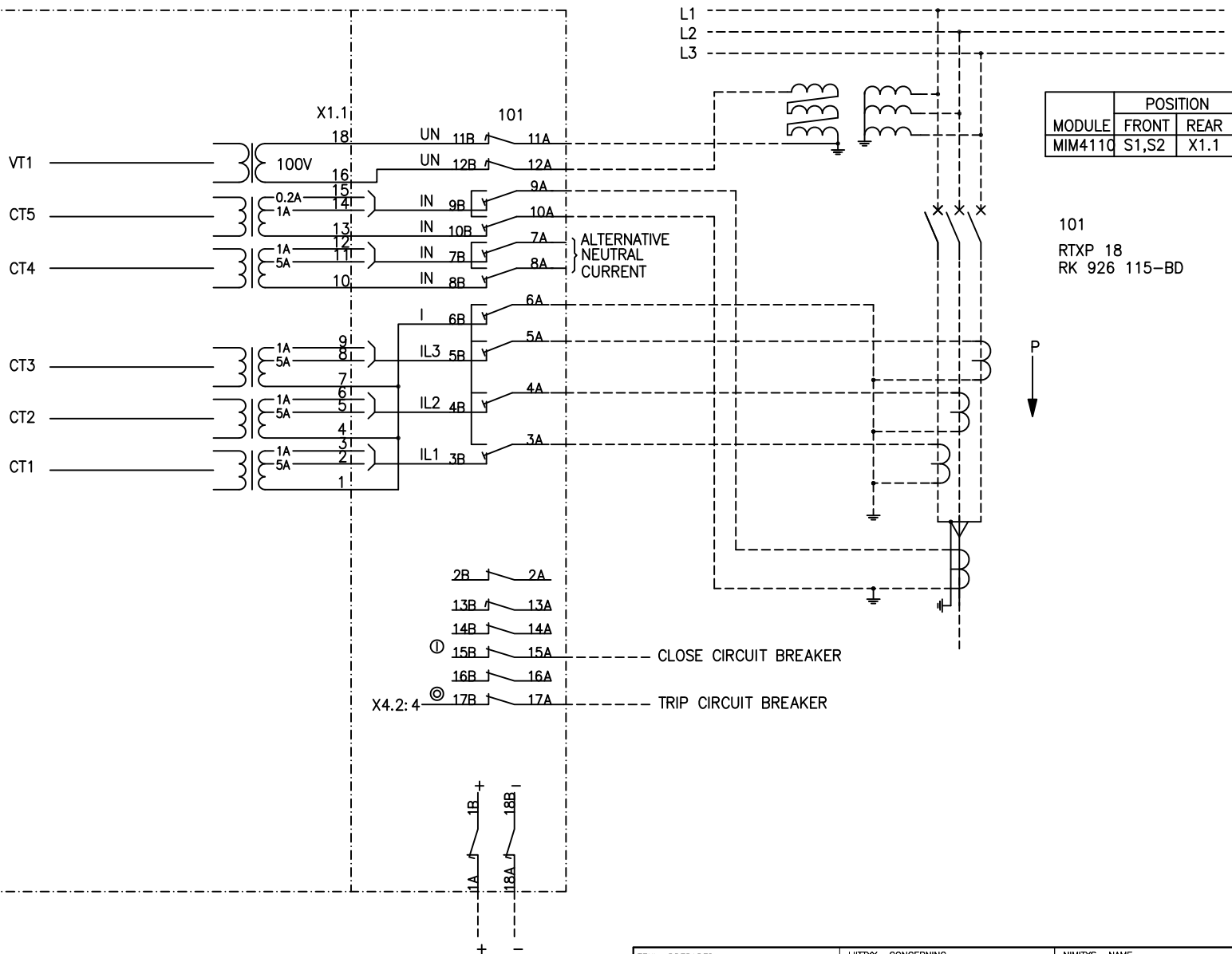
TEKI PREPARED 16-03-2001 S.Björklund	LIITTY CONCERNING 1MRS090920	NIMITYS NAME TERMINAL DIAGRAM FEEDER PROTECTION REX 521 , BASIC + RTXP 18	
TARKASTI CHECKED Tuomo Rintamäki	TOLERANSSIT TOLERANCES	SUHDE SCALE	PROJ 
HYVÄKSYI APPROVED Timo Rintamäki	OSASTO DEPT. RSG	PIIRUSTUS NO DRAWING NO 1MRS010251-AAA	LEHTI SHEET 4 / 9 PAINOS REVISION H

ABB ABB Oy
Distribution Automation

MIM4110, TRANSFORMER MODULE + RTXP 18



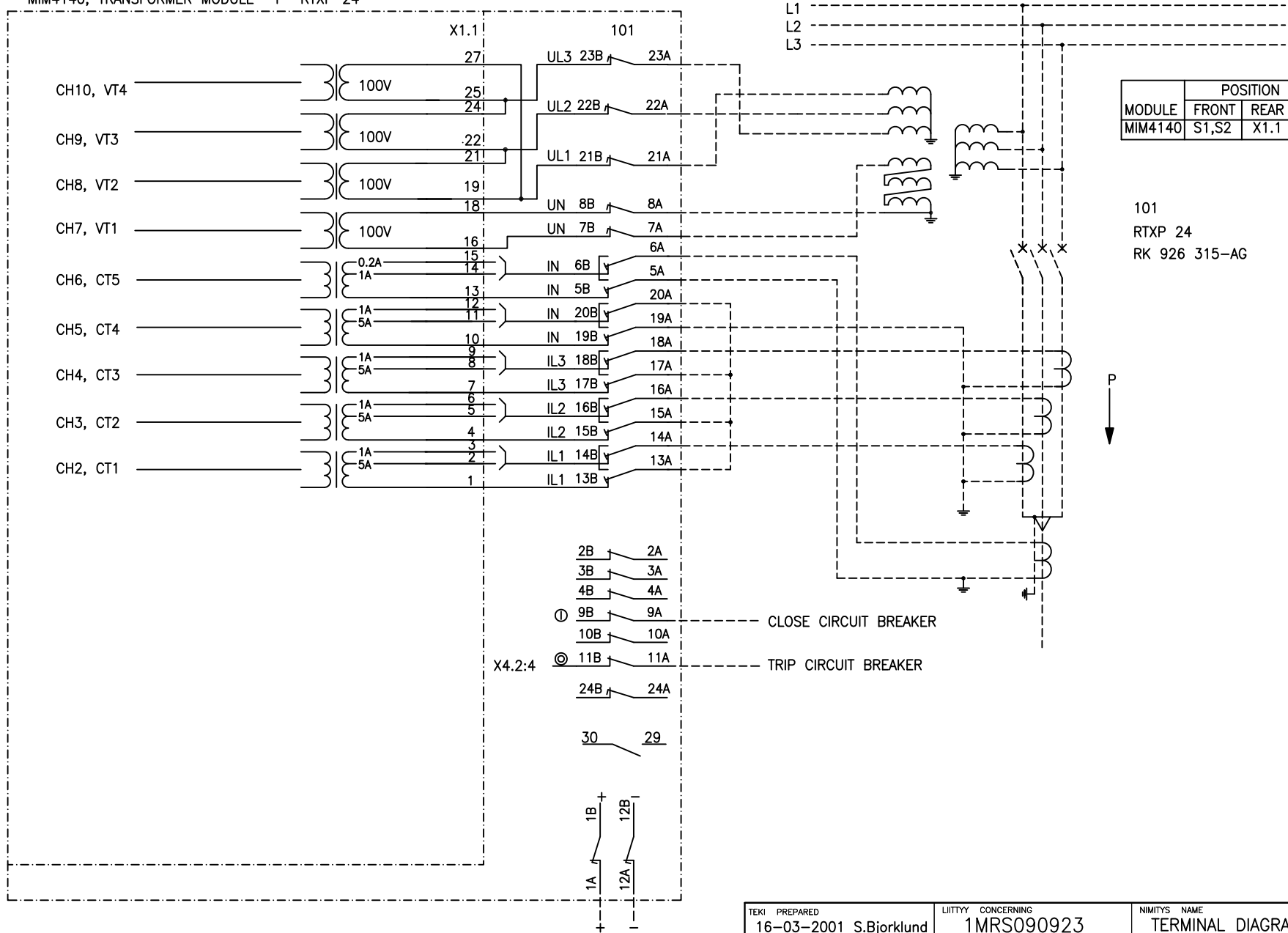
We reserve all rights in this document and in the information contained therein. Reproduction, use or disclosure to third parties without express authority is strictly forbidden. © ABB Oy.

D	RS-485 interface added (sheet 3) 11.12.03 * SV
E	DNP 3.0 (sheet 3) and sheet 9 added.12.05.04 *SV
F	Signal X4.2:4 was X4.2:3. 30.11.04 *SB
G	Changes on sheet 3. X3.1/9-10. Sheet 7 updated. 26.09.06 *SB
H	Sheets 6 and 9 updated. 10.03.09 *SB

MUUTOS REVISION

TEKI PREPARED 16-03-2001 S.Björklund	LITTYY CONCERNING 1MRS090921	NIMITYS NAME TERMINAL DIAGRAM FEEDER PROTECTION REX 521 , MEDIUM + RTXP 18	
TARKASTI CHECKED Tuomo Rintamäki	TOLERANSSIT TOLERANCES	SUHDE SCALE	PROJ
HYVÄKSY APPROVED Timo Rintamäki	OSASTO DEPT. RSG	PIIRUSTUS NO DRAWING NO 1MRS010251-AAA	LEHTI SHEET 5 / 9
ABB ABB Oy Distribution Automation		PAINOS REVISION H	

MIM4140, TRANSFORMER MODULE + RTXP 24



MODULE	POSITION	
	FRONT	REAR
MIM4140	S1,S2	X1.1

101
RTXP 24
RK 926 315-AG



TEKI PREPARED 16-03-2001 S.Bjorklund	LIITTY CONCERNING 1MRS090923	NIMITYS NAME TERMINAL DIAGRAM FEEDER PROTECTION REX 521, HIGH + RTXP 24	
TARKASTI CHECKED Tuomo Rintamäki	TOLERANSIT TOLERANCES		
HYVÄKSYI APPROVED Timo Rintamäki	SUHDE SCALE	PROJ	LEHTI SHEET 6 / 9
OSASTO DEPT. RSG		PIIRUSTUS NO DRAWING NO 1MRS010251-AAA	PAINOS REVISION H

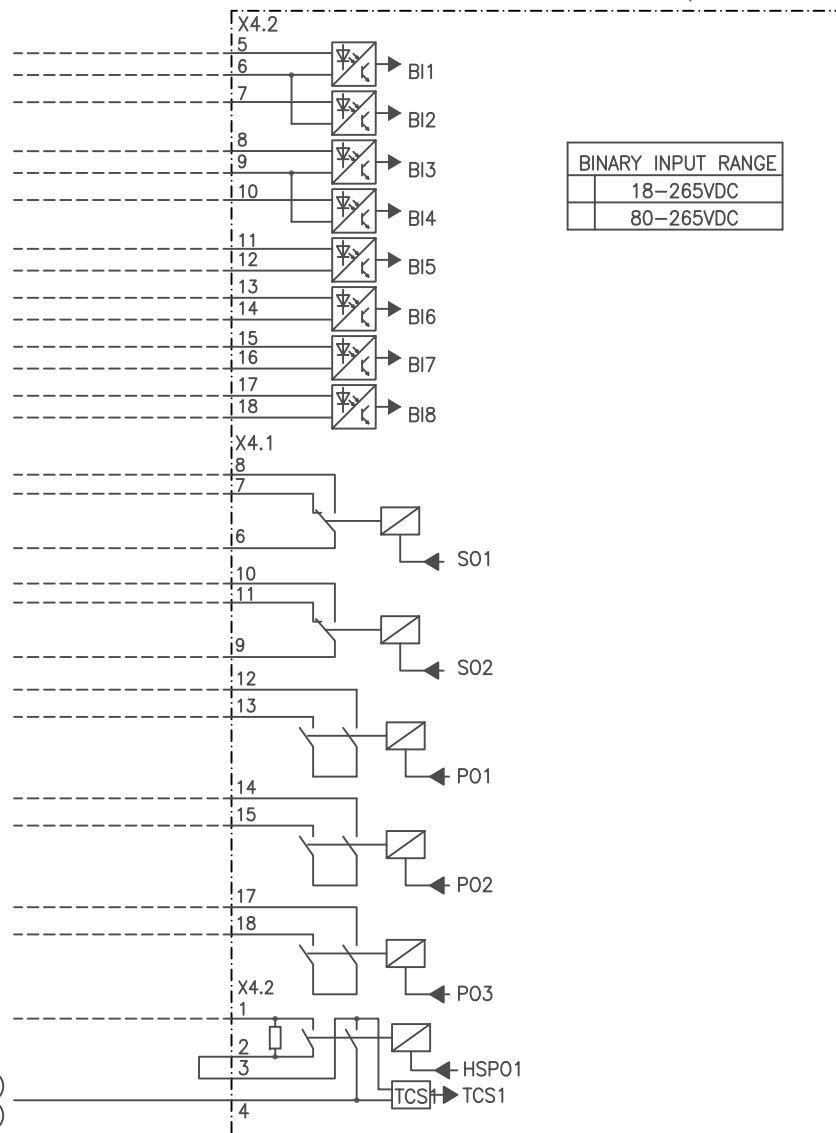
- D RS-485 interface added (sheet 3) 11.12.03 * SV
- E DNP 3.0 (sheet 3) and sheet 9 added.12.05.04 *SV
- F RTXP24 type added. 30.11.04 *SB
- G Changes on sheet 3, X3.1/9-10, Sheet 7 updated. 26.09.06 *SB
- H Polarity of UL1,UL2,UL3 connection to REX changed. 10.03.09 *SB

We reserve all rights in this document and in the information contained therein. Reproduction, use or disclosure to third parties without express authority is strictly forbidden. © ABB Oy.

MUUTOS REVISION

ABB ABB Oy
Distribution Automation

PS_87_ , POWER SUPPLY MODULE, BINARY IN/OUT



BINARY INPUT RANGE	
	18-265VDC
	80-265VDC

MODULE	POSITION	
	FRONT	REAR
PS_87_	S4	X4.1 and X4.2

(TRIP CIRCUIT BREAKER) 101:17B (RTXP18)
101:11B (RTXP24)

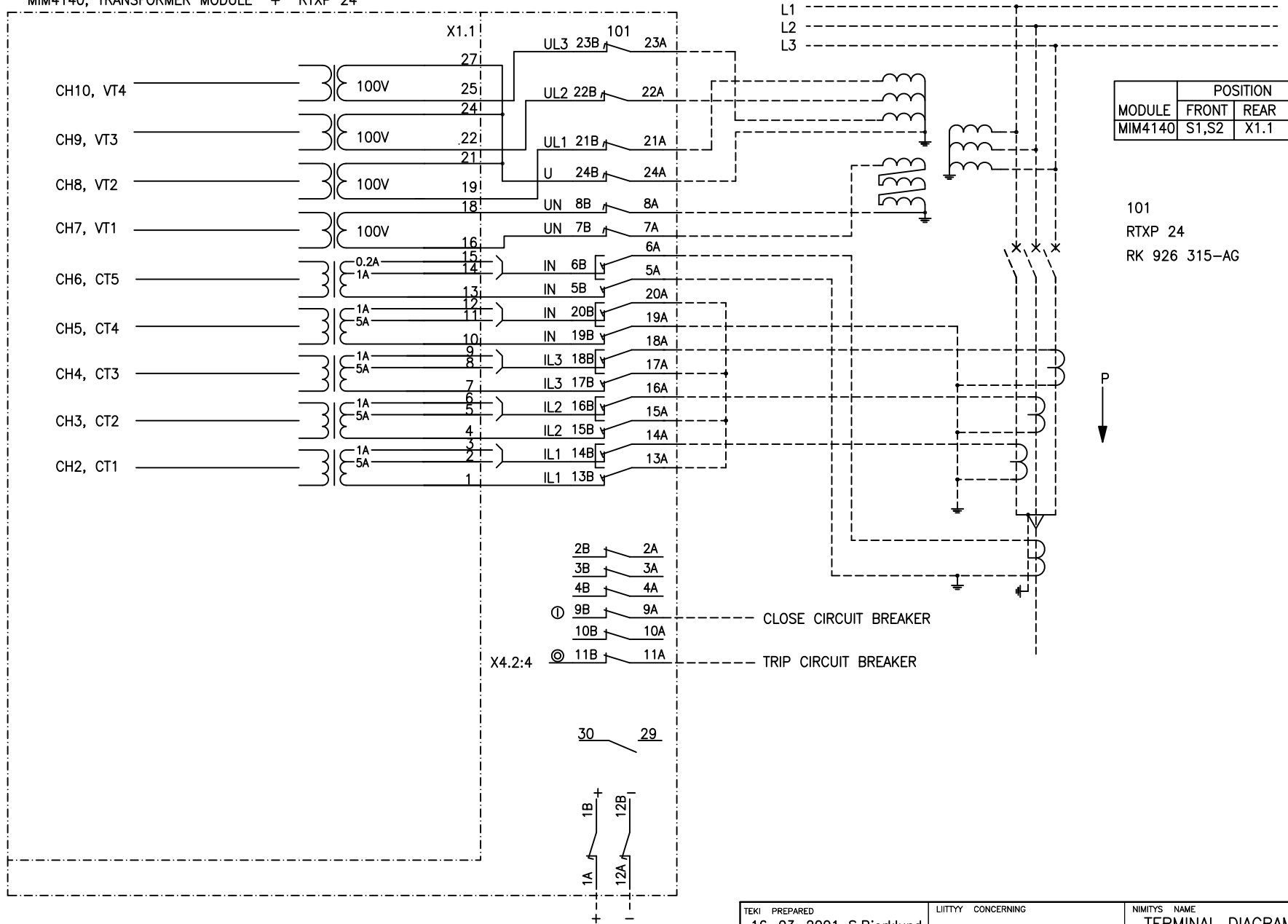
- D RS-485 interface added (sheet 3) 11.12.03 * SV
- E DNP 3.0 (sheet 3) and sheet 9 added.12.05.04 *SV
- F Signal to TRIP CIRCUIT BREAKER updated. 30.11.04 *SB
- G Changes on sheet 3. X3.1/9-10. Sheet 7 updated. 26.09.06 *SB
- H Sheets 6 and 9 updated. 10.03.09 *SB

MUUTOS
REVISION

TEKI PREPARED 16-03-2001 S.Bjorklund	LIITTY CONCERNING	NIMITYS NAME TERMINAL DIAGRAM FEEDER PROTECTION REX 521, PS_87 -MODULE, BINARY IN/OUT	
TARKASTI CHECKED Tuomo Rintamäki	TOLERANSSIT TOLERANCES		
HYVÄKSYI APPROVED Timo Rintamäki	SUHDE SCALE	PROJ	LEHTI SHEET 8 / 9
ABB ABB Oy Distribution Automation	OSASTO DEPT. RSG	PIIRUSTUS NO DRAWING NO 1MRS010251-AAA	PAINOS REVISION H

We reserve all rights in this document and in the information contained therein. Reproduction, use or disclosure to third parties without express authority is strictly forbidden. © ABB Oy.

MIM4140, TRANSFORMER MODULE + RTXP 24



MODULE	POSITION	
	FRONT	REAR
MIM4140	S1,S2	X1.1

101
RTXP 24
RK 926 315-AG

TEKI PREPARED 16-03-2001 S.Bjorklund	LIITTY CONCERNING	NIMITYS NAME TERMINAL DIAGRAM FEEDER PROTECTION REX 521 , H08 + RTXP 24	
TARKASTI CHECKED Tuomo Rintamäki	TOLERANSSIT TOLERANCES	LEHTI SHEET 9/9	
HYVÄKSYI APPROVED Timo Rintamäki	SUHDE SCALE	PROJ	PAINOS REVISION H
OSASTO DEPT. RSG		PIIRUSTUS NO DRAWING NO 1MRS010251-AAA	

- D RS-485 interface added (sheet 3) 11.12.03 * SV
- E DNP 3.0 (sheet 3) and sheet 9 added.12.05.04 *SV
- F RTXP24 type added. 30.11.04 *SB
- G Changes on sheet 3. X3.1/9-10. Sheet 7 updated. 26.09.06 *SB
- H Phase to earth voltage connection updated. 10.03.09 *SB

MUUTOS REVISION

ABB ABB Oy
Distribution Automation