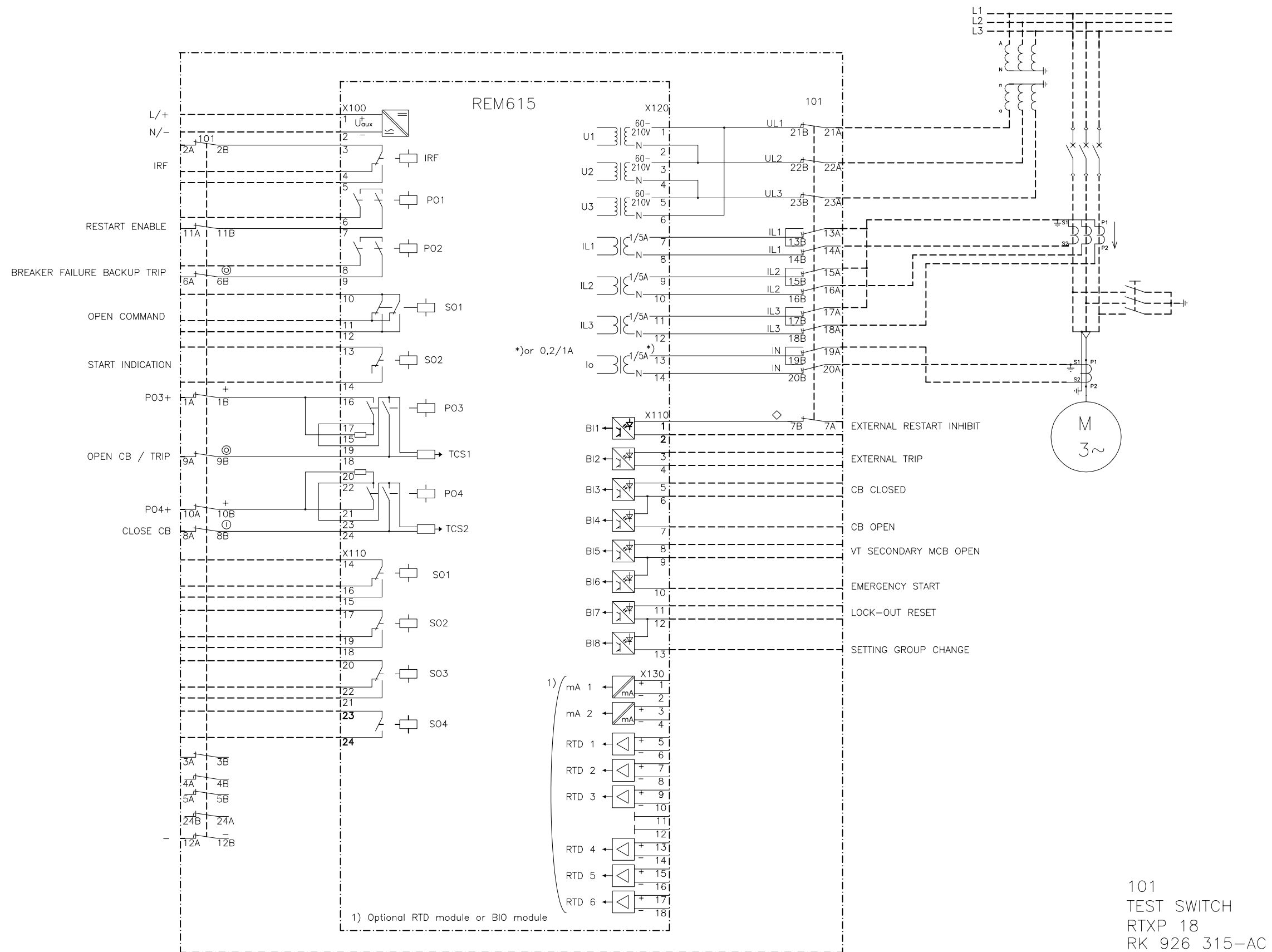


We reserve all rights in this document and in the information contained therein. Reproduction, use or disclosure to third parties without express authority is strictly forbidden. © ABB Oy.



TEKI PREPARED 12.05.2010 S.Björklund	LIITTY CONCERNING		NIMITYS NAME TERMINAL DIAGRAM	
TARKASTI CHECKED Petri Koivula	TOLERANSSIT TOLERANCES		REM615 MOTOR PROTECTION CONFIGURATION ME02 (B)	
HYVÄKSYI APPROVED Timo Rintamäki	SUHDE SCALE	PROJ	LEHTI SHEET	
ABB ABB Oy Distribution Automation		OSASTO DEPT. RSG	PIIRUSTUS NO DRAWING NO 2RCA025527	PAINOS REVISION A

MUUTOS REVISION
C
B