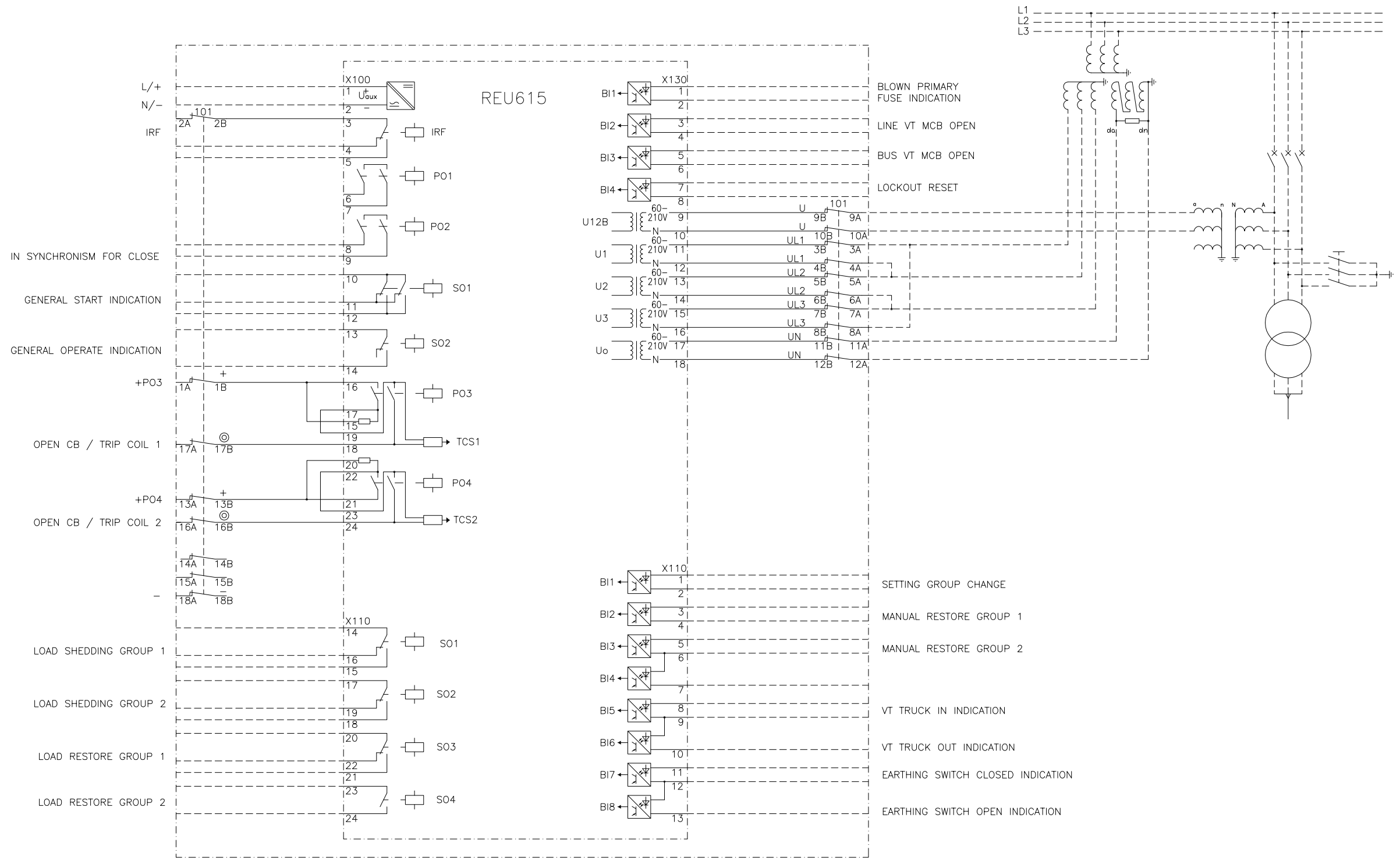


We reserve all rights in this document and in the information contained therein. Reproduction, use or disclosure to third parties without express authority is strictly forbidden. © ABB Oy.



101
TEST SWITCH
RTXP 24
RK 926 115-AR

MUUTOS REVISION
C
B

TEKI PREPARED 12.05.2010 S.Björklund		LIITTY CONCERNING		NIMITYS NAME TERMINAL DIAGRAM	
TARKASTI CHECKED Petri Koivula		TOLERANSSIT TOLERANCES		REU615 VOLTAGE RELAY CONFIGURATION (A)	
HYVÄKSYI APPROVED Timo Rintamäki		SUHDE SCALE	PROJ	LEHTI SHEET	
ABB ABB Oy Distribution Automation		OSASTO DEPT. RSG	PIIRUSTUS NO DRAWING NO 2RCA025528	PAINOS REVISION A	