



Power^{IT} Compact Rectifier

Reliable DC Power

CRW Series – 100A to 25kA, 10V to 400V

Water-cooled rectifiers for industrial applications with fully digital control for regulation, protection and communication

The Main Features (CRW)

The Power^{IT} Compact Rectifiers are complete all-in-one, cabinet-mounted rectifier units including LV-transformer, rectifier, cooling, controller and operator panel facilities.

Compact Rectifiers of the CRW-series are water-cooled with standard enclosure protection class of IP20.

The unit with it's digital control is pre-engineered, ready for fast and simple installation, start-up and operation.

ABB Compact rectifiers are manufactured on highest quality standards based on proved designs and a long history of rectifier experience. All components are carefully selected for maximum efficiency and lifetime. The heart of the Compact Rectifier is ABB's well known DC-drive technology DCS controller for full digital control and protection. Interface signals and various serial communication protocols are available and allow easy integration into existing plant automation, remote operation and diagnosis.

Whenever needed, whatever your industry is and wherever you are located, ABB's worldwide services are at your disposal by our power-electronics and converter specialists - also in your country.

ABB Power^{IT} Compact Rectifiers are the right choice to reliable and economical dc-power supplies also in your plant.

Technical Summary

Basic Data

- Rated supply voltage: Up to 690 Vac 3-ph
- Rated frequency: 50 Hz or 60 Hz
- DC current range: See table 'Range of CRW-Series'
- DC voltage range: See table 'Range of CRW-Series'
- Output: Unipolar
- Ripple: < 5 % at full output power
- Control: Current / Voltage
- Number of pulses: 6
- Cooling: Deionised water
Plate Heat Exchanger
- Degree of protection: IP20
- Controller: ABB DCS family digital controller

Operating Conditions

- Ambient temperature: 0 to 40°C (32 to 104°F)
- Relative humidity: 5 to 95%, no condensation

Indication and Operation

- Meters: DC-current and dc voltage
- Switches/Buttons: On/Off, Reset, Emergency Stop
- Indication: On/Off, Ready, Trip, Alarm
- Control: Current reference setting via potentiometer

Protections and Alarms

- Automatic mains breaker or Contactor on ac side for protection against ac and dc overload
- RC-snubber circuits parallel connected to input line and to semiconductors for protection against surge voltage
- SCR firing pulse suppression device (fast overload)
- Temperature thermostats placed on SCR heat sinks and in the main transformer windings
- Automatic circuit breakers or Contactors independently protect auxiliary circuits and devices

- Wrong phase sequence and phase loss protection

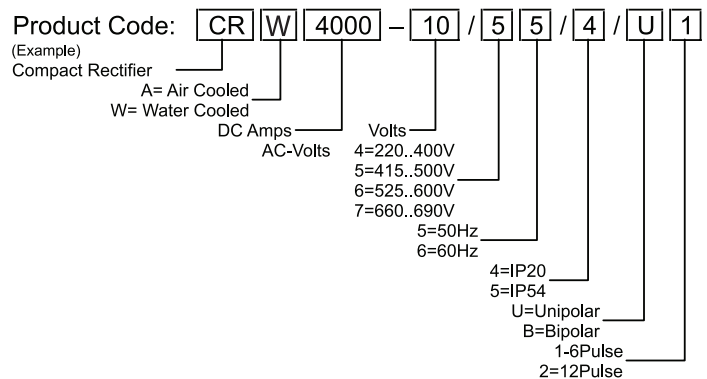
Options

- Control: Input Panel
- Meters: Analogue or Digital
- AC Meters: AC current and AC voltage meter
- Remote control: Signals 4 - 20 mA
Potential free contacts

On request (please consult manufacturer)

- Rated supply voltage: Medium Voltage
- Degree of protection: IP54
- Number of pulses: 12
- Output: Bipolar operation
- Ripple: Smoothing filter for ripple < 5%
- Communication: Modbus, Profibus or others
- Soft start to avoid large inrush currents
- DC current ramp
- Cooling Stand-by Pump or Heat Exchanger
- Other / Higher Current and Voltage ratings available

DC Voltage \ DC Current	10	16	25	40	60	100
3 000	•	•	•	•	•	•
10 000	•	•	•	•	•	•
12 000	•	•	•	•	•	•
15 000	•	•	•	•	•	•
20 000	•	•	•	•	•	•
25 000	•	•	•	•	•	•



NB Actual products might vary from pictures shown

For more information please contact:

ABB South Africa (PTY) Ltd
Johannesburg / Longmeadow
South Africa

Tel: +27 10 202 5314 / 5727
Fax: +27 11 579 8631 / 8659
E-Mail: asande.kaaba@za.abb.com
carel.oberholzer@za.abb.com
Internet: www.abb.com/rectifiers