

We reserve all rights in this document and in the information contained therein. Reproduction, use or disclosure to third parties without express authority is strictly forbidden.
© ABB Oy, Electrical Machines, Helsinki

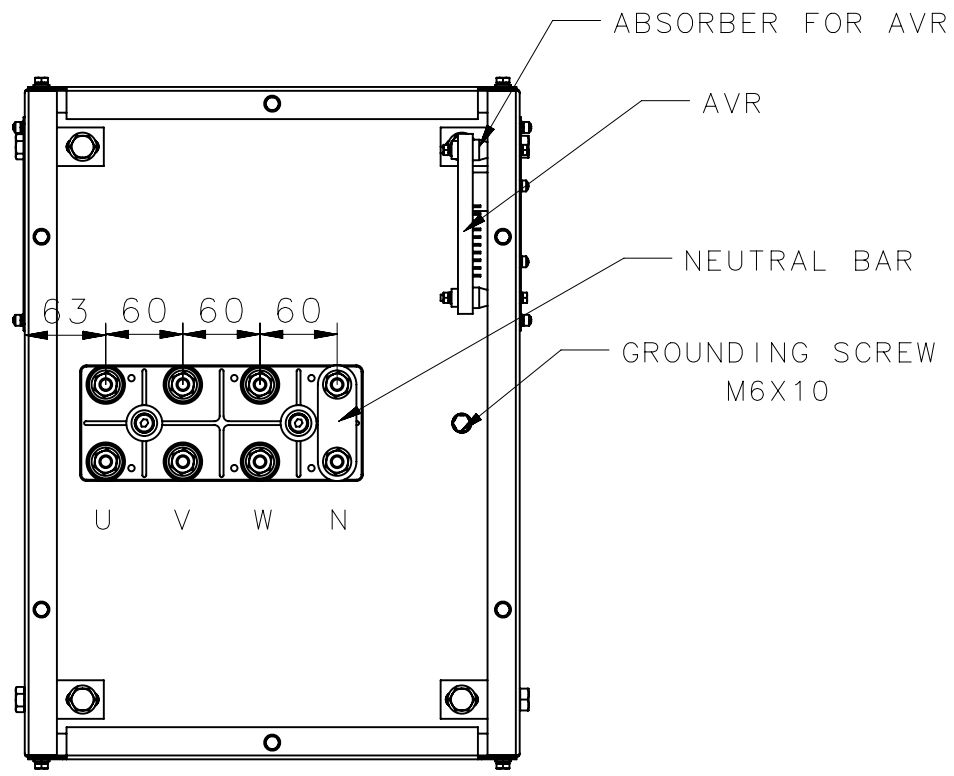
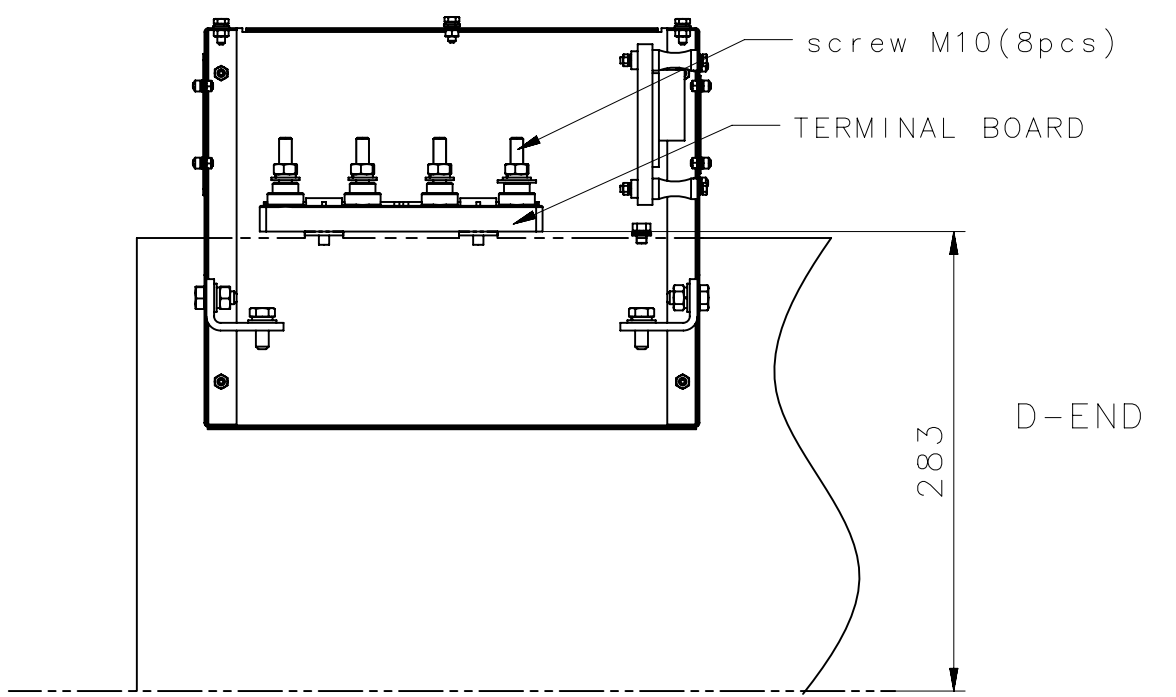
Symbols for roughness according to ISO 1302 ,
9ADA 431

General tolerances for linear and angular dimensions and geometrical tolerances: ISO 2768 -mK
Referential standards 9ADA 422 , DIN 7168T.1, DIN 7168T.2

1
N-END

2

3



THE MAIN CABLES OF THE MACHINE CAN BE BROUGHT INTO TOP MOUNTED TERMINALS. THE USER CAN DRILL HOLES IN THE SUITABLE POSITION.

Revision		Change		Date	Prep.	Rev.	Appr.
Prepared	22-Jun-2011 Hu, Sam-mi	Separate part list with separate No.	<input type="checkbox"/>	22-Jun-2011			
Reviewed	22-Jun-2011 Guo,Justin-jiqiang	Responsible department	-				
Approved	22-Jun-2011 Tu,Tubby-guobing	Original dwg	-				
Distribution	Functional code	Order No.	Weight	Type	Mounting	Size	Scale
-			12.2	AMG 0280_04	-	A4	-
ABB Generators Ltd.				Document No.	Revision	Sheet	
				8AMG 5862348	A	1/1	