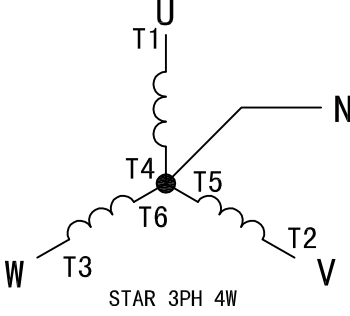
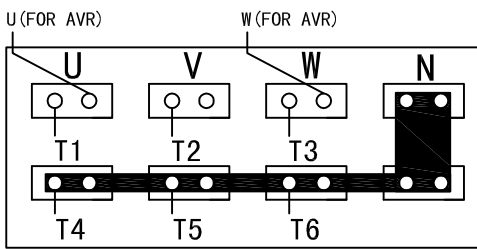
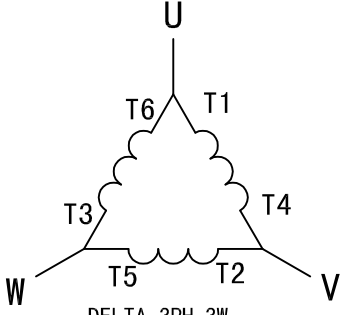
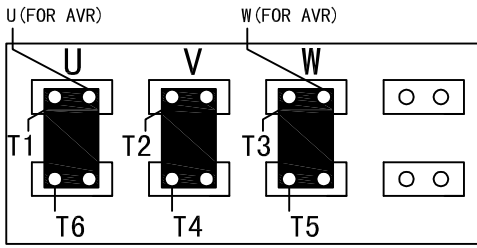



We reserve all rights in this document and in the information contained therein. Reproduction, use or disclosure to third parties without express authority is strictly forbidden.
© ABB Telloh Generators Ltd.

Symbols for roughness according to ISO 1302,
9ADA 431

General tolerances for linear and angular dimensions
ISO 2768 -mK
Referential standards 9ADA 422, DIN 7168T.1, DIN 7168T.2

CONNECTION CODE	LINE VOLTAGE		TERMINAL CONNECTION
	50 Hz	60 Hz	
 <p>STAR 3PH 4W</p>	380-440V	415-480V	 <p>D-END</p>
 <p>DELTA 3PH 3W</p>	220-254V	240-277V	 <p>D-END</p>

B	UPDATED ACCORDING TO NEW TERMINAL BOX.			2009-12-16	PEYA	LIYU	ANQU
Rev	Change	Date	Prep.	Rev.	Appr.		
Prepared	J.ZHU 2009-3-30	Separate part list with separate No.	<input type="checkbox"/>			Title	
Reviewed	L.YUAN 2009-3-30	Responsible Department	CNGEN/			CONNECTION INSTRUCTION	
Approved	A.QUE 2009-3-30	Original Dwg				Scale	
Distribution	Functional Code	Order No.	Weight	Type	Mounting	Size	
				AMG0400__04		A4	
 ABB Generators Ltd.				Document No.	Revision		Sheet
				8AMG 5854833	B		1/1