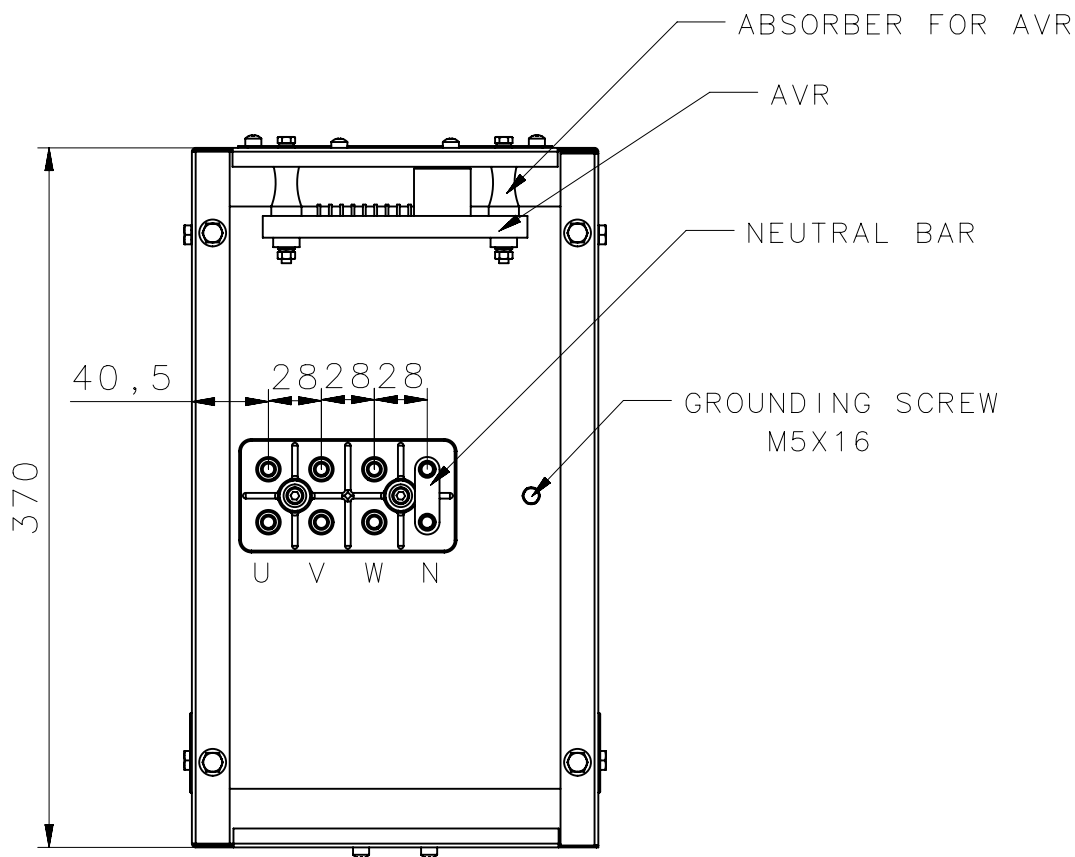
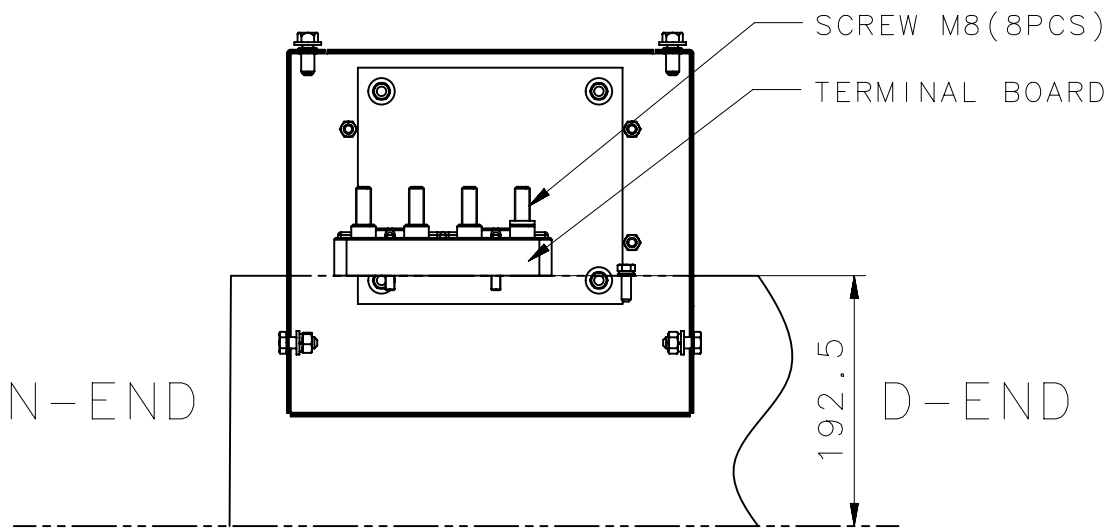


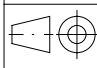

We reserve all rights in this document and in the information contained therein. Reproduction, use or disclosure to third parties without express authority is strictly forbidden.
 © ABB Oy, Electrical Machines, Helsinki

Symbols for roughness according to ISO 1302 ,
 9ADA 431

General tolerances for linear and angular dimensions and geometrical tolerances: ISO 2768 -mK
 Referential standards 9ADA 422 , DIN 7168T.1, DIN 7168T.2



THE MAIN CABLES OF THE MACHINE CAN BE BROUGHT INTO TOP MOUNTED TERMINALS. THE USER CAN DRILL HOLES IN THE SUITABLE POSITION OR TAKE OFF THE RUBBER COVER.

Revision		Change		Date	Prep.	Rev.	Appr.
Prepared 21-Jun-2011 Hu, Sam-mi		Separate part list <input type="checkbox"/> with separate No. <input type="checkbox"/>		21-Jun-2011			Scale -
Reviewed 21-Jun-2011 Guo,Justin-jiqiang		Responsible department -					 Language EN
Approved 21-Jun-2011 Tu,Tubby-guobing		Original dwg -					
Distribution	Functional code	Order No.	Weight	Type	Mounting	Size	
-			0	AMG0200	-	A4	
 ABB Generators Ltd.				Document No. 8AMG 5862339	Revision A	Sheet 1/1	