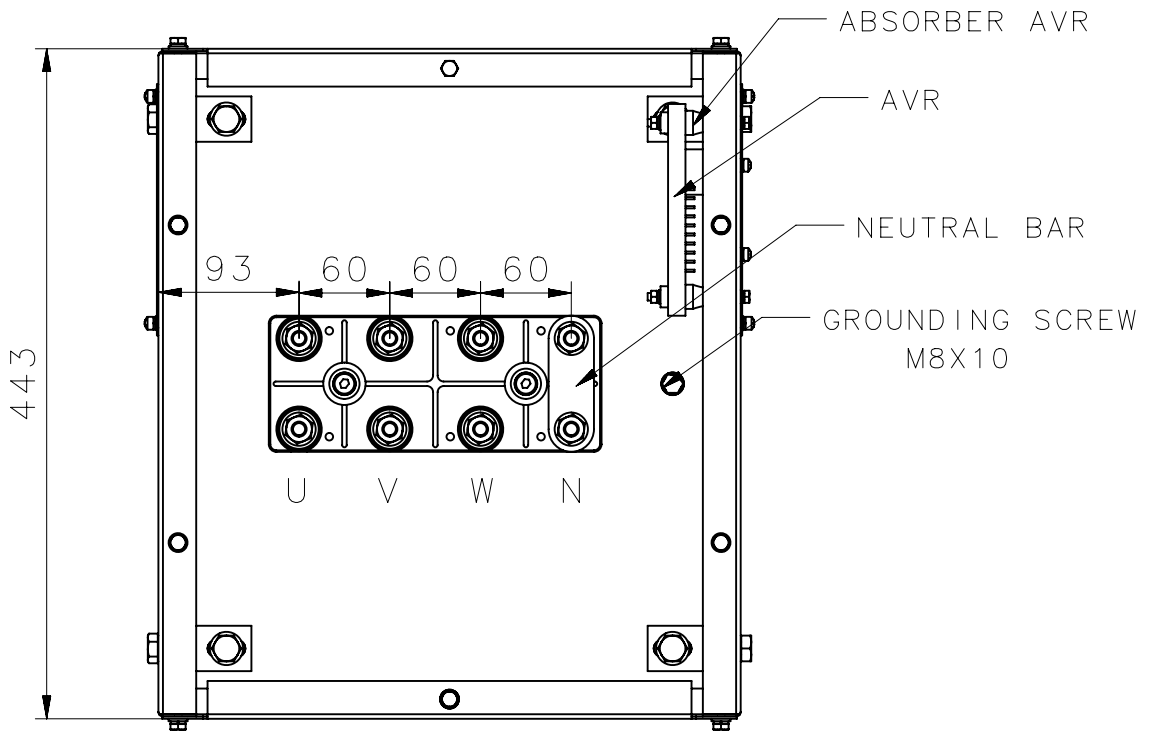
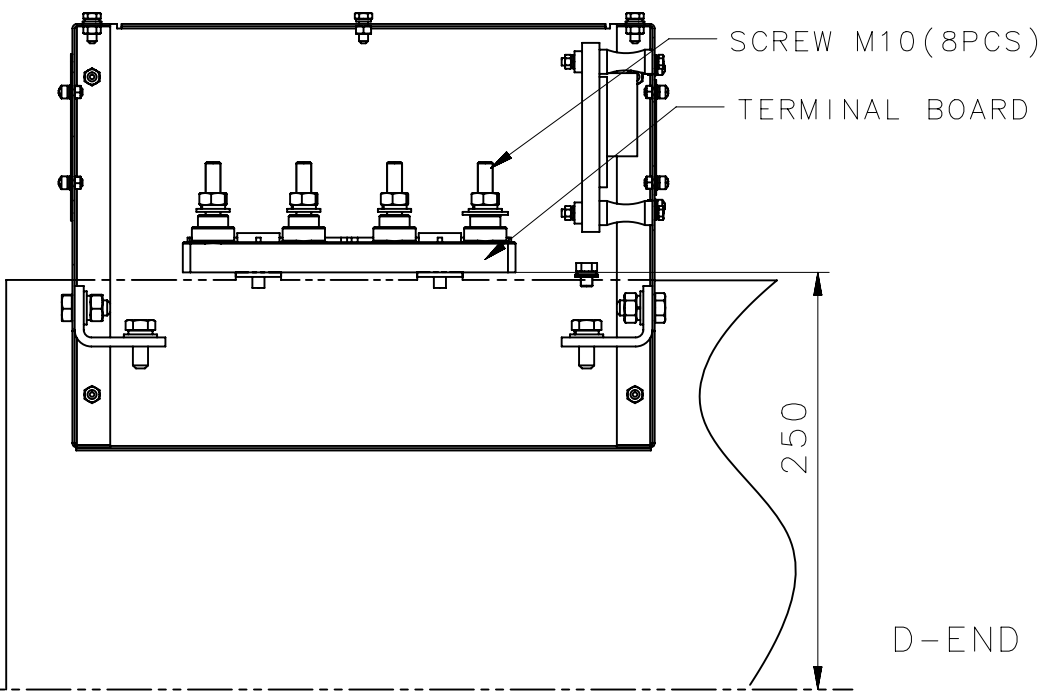


We reserve all rights in this document and in the information contained therein. Reproduction, use or disclosure to third parties without express authority is strictly forbidden.
© ABB Oy, Electrical Machines, Helsinki

Symbols for roughness according to ISO 1302 ,
9ADA 431

General tolerances for linear and angular dimensions and geometrical tolerances: ISO 2768 -mK
Referential standards 9ADA 422 , DIN 7168T.1, DIN 7168T.2

1
A
N-END



THE MAIN CABLES OF THE MACHINE CAN BE BROUGHT INTO TOP MOUNTED TERMINALS. THE USER CAN DRILL HOLES IN THE SUITABLE POSITION.

Revision		Change		Date	Prep.	Rev.	Appr.
A				22-Jun-2011			
Prepared	22-Jun-2011 Hu, Sam-mi	Separate part list with separate No.	<input type="checkbox"/>	Title		Scale	-
Reviewed	1122-Jun-2011 Guo,Justin-jiqiang	Responsible department	-	LAYOUT OF CONNECTION			
Approved	1122-Jun-2011 Tu,Tubby-guobing	Original dwg	-			Language EN	
Distribution	Functional code	Order No.	Weight 12.2	Type AMG 0250_04	Mounting -	Size A4	
ABB Generators Ltd.				Document No. 8AMG 5862347	Revision A	Sheet 1/1	