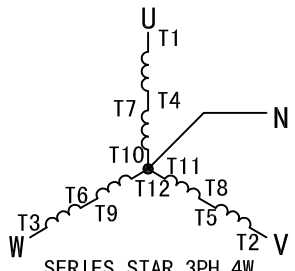
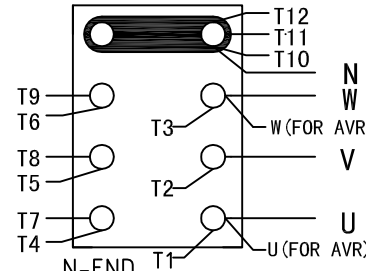
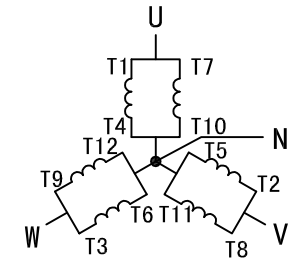
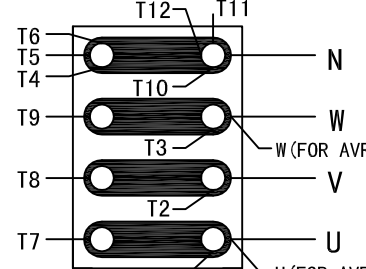
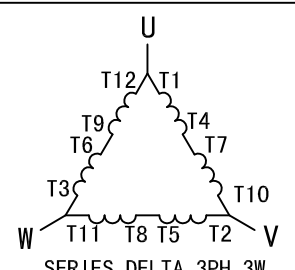
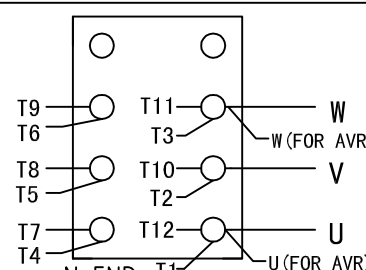
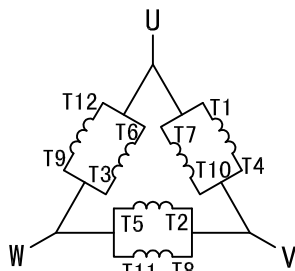
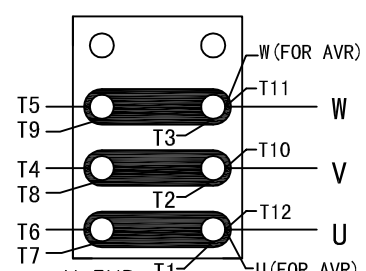
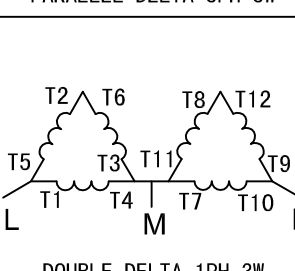
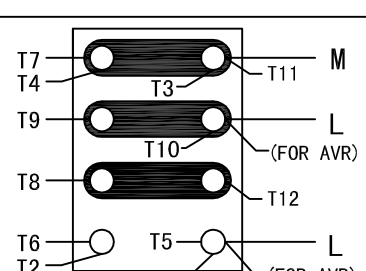



We reserve all rights in this document and in the information contained therein. Reproduction, use or disclosure to third parties without express authority is strictly forbidden.
© ABB Tellhow Generators Ltd.

Symbols for roughness according to ISO 1302,
9ADA 431

General tolerances for linear and angular dimensions
and geometrical tolerances: ISO 2768 -mK
Referential standards 9ADA 422, DIN 7168T.1, DIN 7168T.2

CONNECTION CODE	LINE VOLTAGE		TERMINAL CONNECTION
	50 Hz	60 Hz	
 <p>SERIES STAR 3PH 4W</p>	380-440V	380-480V	
 <p>PARALLEL STAR 3PH 4W</p>	190-220V	190-240V	
 <p>SERIES DELTA 3PH 3W</p>	220-254V	220-277V	
 <p>PARALLEL DELTA 3PH 3W</p>	110-127V	110-139V	<p>REMARK: PT IS NEEDED TO MATCH WITH AVR . TRANSFORMATION RATIO: 1:2</p> 
 <p>DOUBLE DELTA 1PH 3W</p>	220-240V	220-240V	

D	ADD TYPE AMG0315.	2011-06-20	PEYA	RAJI	LIYU
Rev	Change	Date	Prep.	Rev.	Appr.
Prepared	J.ZHU 2009-3-30	Title	CONNECTION INSTRUCTION		
Reviewed	L.YUAN 2009-3-30				
Approved	A.QUE 2009-3-30				
Distribution	Functional Code	Order No.	Weight	Type	Mounting
 ABB Generators Ltd.		AMG0180,0200,0250,0280,0315			<input checked="" type="checkbox"/> D
Document No.				Revision	Sheet
8AMG 5854831				D	1/1