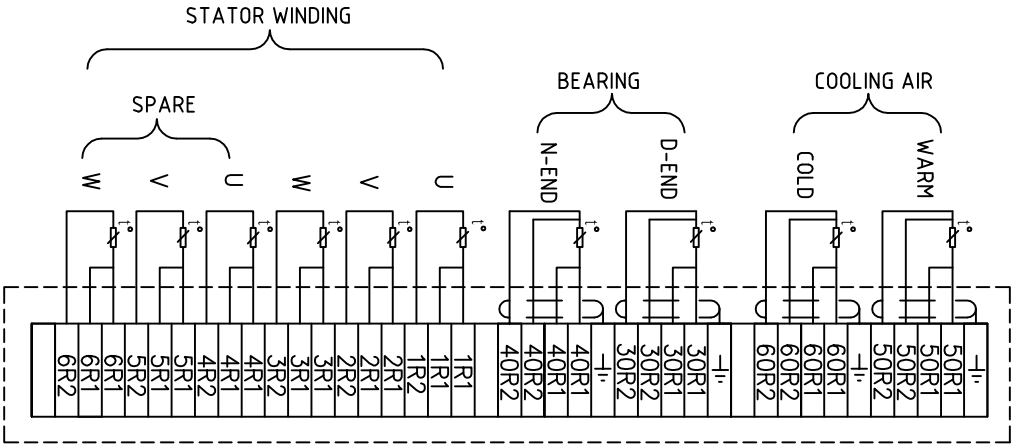


We reserve all rights in this document and in the information contained therein. Reproduction, use or disclosure to third parties without express authority is strictly forbidden.
© ABB Telloh Generators Ltd.

Symbols for roughness according to ISO 1302,
9ADA 431

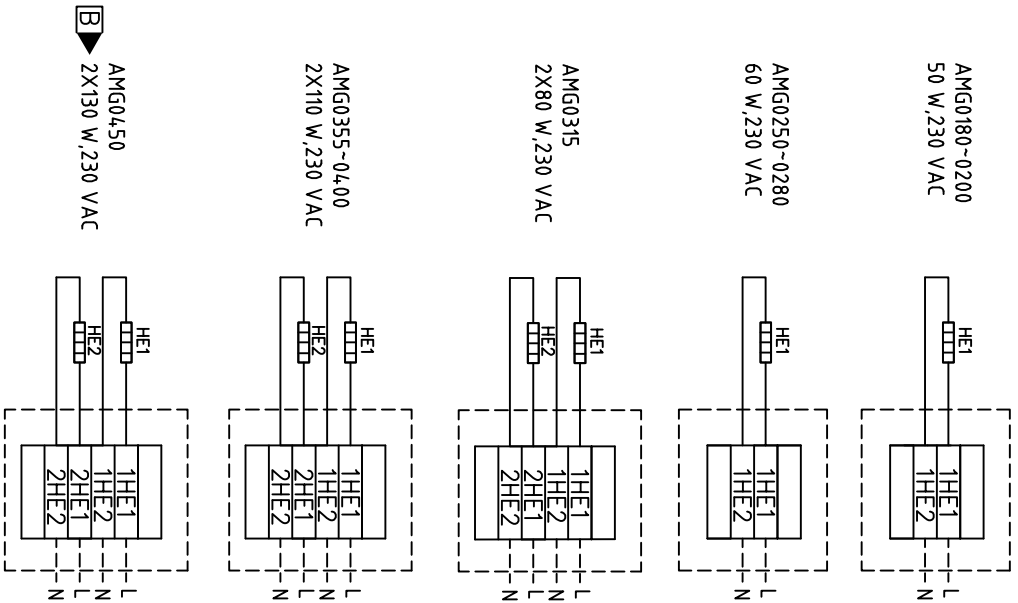
General tolerances for linear and angular dimensions and geometrical tolerances: ISO 2768 TOL TOL 20L3
Referential standards 9ADA 422, DIN 7168T.1

TEMPERATURE SENSORS PT100

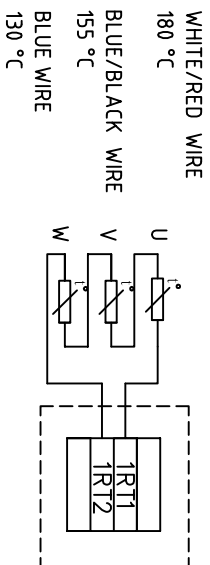


* STATOR WINDING TEMPERATURE SENSORS:
AMG0180-0250:1XPT100 PER PHASE;
AMG0280-0450:2XPT100 PER PHASE;

ANTI-CONDENSATOR HEATER



PTC-THERMISTOR



| | | | | | | | |
|-----------------|-------------------|---------------------------|--------------------------|-----------------|---------------------------|---------------|-----|
| Reviewed/设计 | 2011-06-14 P.YANG | Separate part list/分零件列表 | <input type="checkbox"/> | Title/标题 | OPTION CONNECTION DIAGRAM | Scale/比例 | 1:1 |
| Reviewed/校核 | 2011-06-14 R.JIN | Responsible Document/责任声明 | <input type="checkbox"/> | Document No./图号 | 8AMG 5862252 | Revision/版本 | B |
| Approved/批准 | 2011-06-14 L.YUAN | Original Draw/原始图样 | <input type="checkbox"/> | Weight/重量 | | Mounting/安装方式 | AS |
| Distribution/分发 | | Functional Call/功能代号 | Order No./订单号 | AMG0180-0450 | | Sheet/张数 | 1/1 |

| | | |
|-----|--------|-----------------|
| Rev | Change | 2x130 WAS 2X180 |
|-----|--------|-----------------|

| | | | | |
|-------|------------|------|-----|-----|
| Date | 2011-07-20 | PEYA | RAJ | LVU |
| Prep. | | | | |
| Rev. | | | | |
| Appr. | | | | |

ABB Generators Ltd.

8AMG 5862252

Autocad

1

2

3

4

5

6