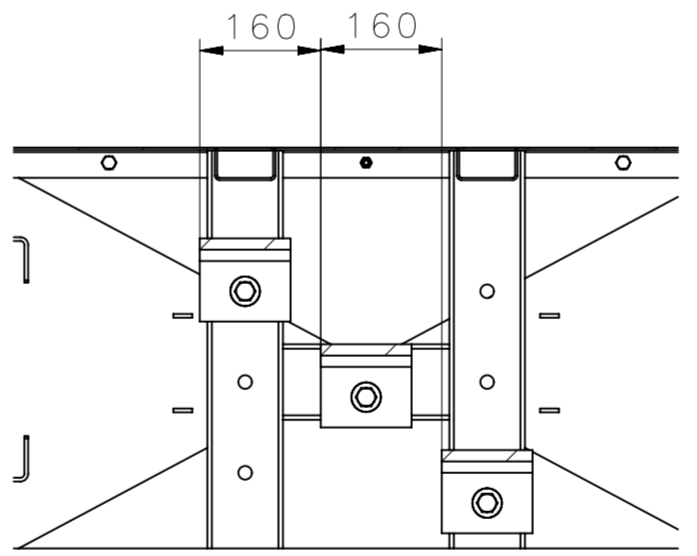
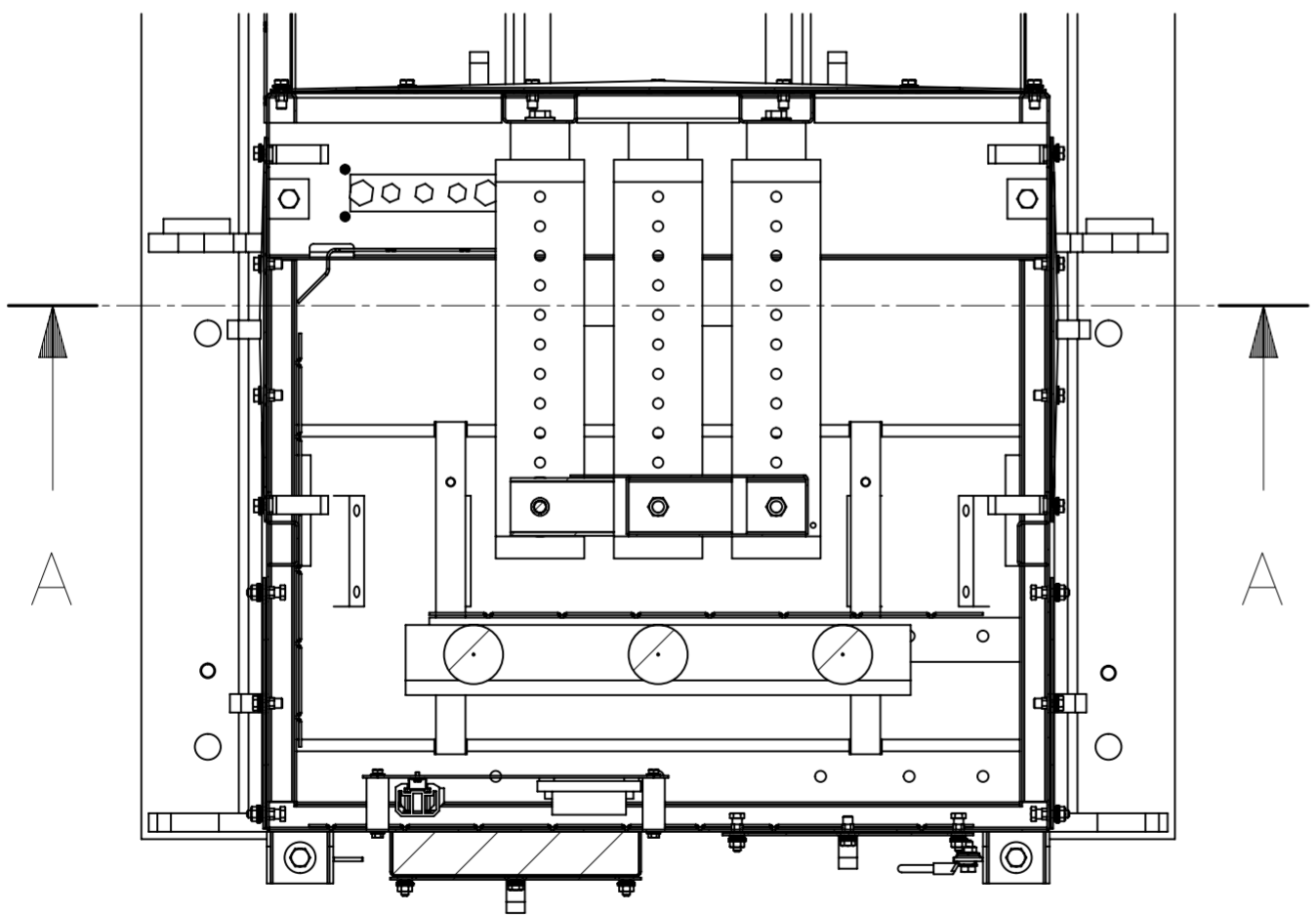
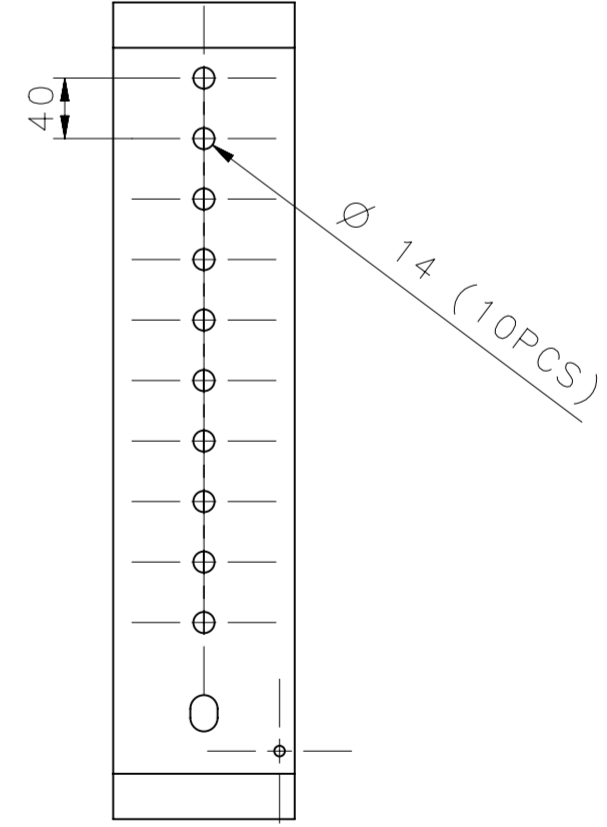


THIS COVER CAN BE DOWNLOADED  
WHEN CABLE CUTTING



SECTION A-A



TERMINAL BAR  
SCALE 1:5

Prepared 27-Apr-2011 Wu, Susan-Zishi	Separate part list with separate No. <input type="checkbox"/>	Title LAYOUT OF CONNECTION	Scale -
Reviewed 27-Apr-2011 Peng, Victor-Weixin	Responsible department -	Language EN	Mounting -
Approved 27-Apr-2011 Tu, Tubby-Guobin	Original dwg -		
Distribution -	Functional code CL	Order No. -	Weight Type 9.6AMG 0500_4
ABB ABB Generators Ltd.		Document No. 3AFP 5860124	Revision Sheet B 1/1

We reserve all rights in this document and in the information contained therein. Reproduction, use or disclosure to third parties without the prior written consent of ABB Oy, Helsinki, Finland, is prohibited. © ABB Oy, Electrical Machines, Helsinki

Symbols for roughness according to ISO 1302 .  
9ADA 431

General tolerances for linear and angular dimensions and geometrical tolerances: ISO 2768 -mK  
Referential standards 9ADA 422, DIN 71681-1, DIN 71681-2