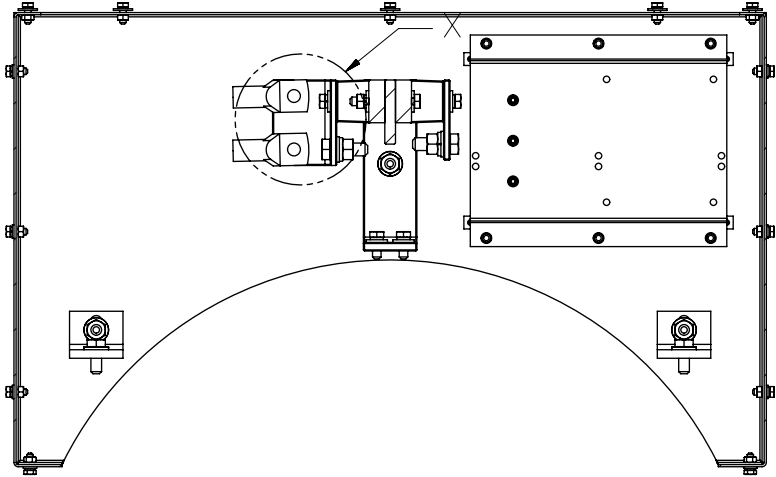


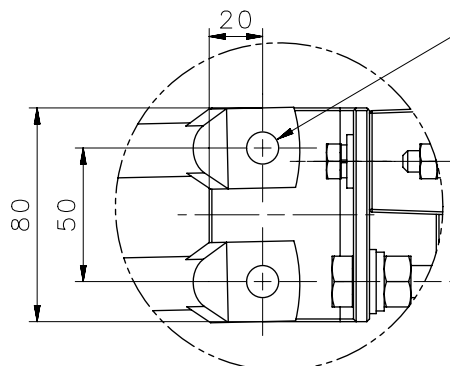
We reserve all rights in this document and in the information contained therein. Reproduction, use or disclosure to third parties without express authority is strictly forbidden.
© ABB Oy, Electrical Machines, Helsinki

Symbols for roughness according to ISO 1302 ,
9A04 431

General tolerances for linear and angular dimensions and geometrical tolerances: ISO 2768 -mK
Referential standards 9A04 422 , DIN 71681.1, DIN 71681.2



SECTION B-B

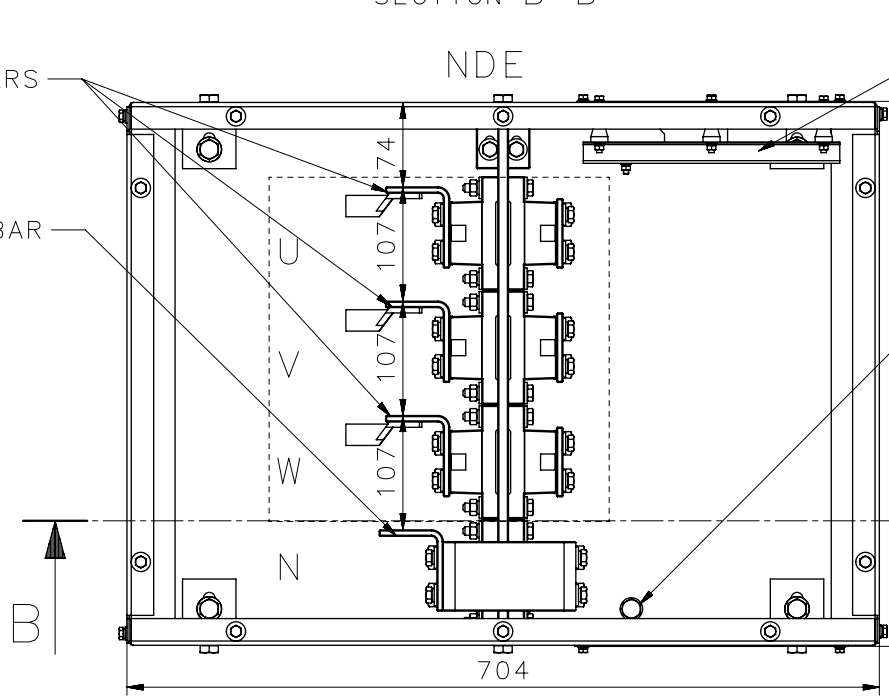


DETAIL X
SCALE 1:2

Ø 13 (2PCS)
TIGHTING TORQUE OF M12
SCREW FOR CONNETION:
50±7% N.M

TERMINAL BARS

NEUTRAL BAR



GROUNDING SCREW
M10X16

THE MAIN CABLES OF THE MACHINE CAN BE BROUGHT INTO TOP MOUNTED TERMINALS, THE USER CAN DRILL HOLES IN THE SUITABLE POSITION.

Prepared 14-Jun-2011 Tu, Anne-yongmei	Separate part list with separate No. <input type="checkbox"/>	Title LAYOUT OF CONNECTION	Scale 1:5
Reviewed 15-Jun-2011 Guo, Justin-jiqiang	Responsible department -	Type AMG 0355_04	Mounting Size - A3
Approved 15-Jun-2011 Tu, Tubby-quobin	Original dwg -		
Distribution -	Functional code Order No.	Weight 0	Language EN
ABB Generators Ltd		Document No. 8AMG 5862251	Revision Sheet A 1/2