

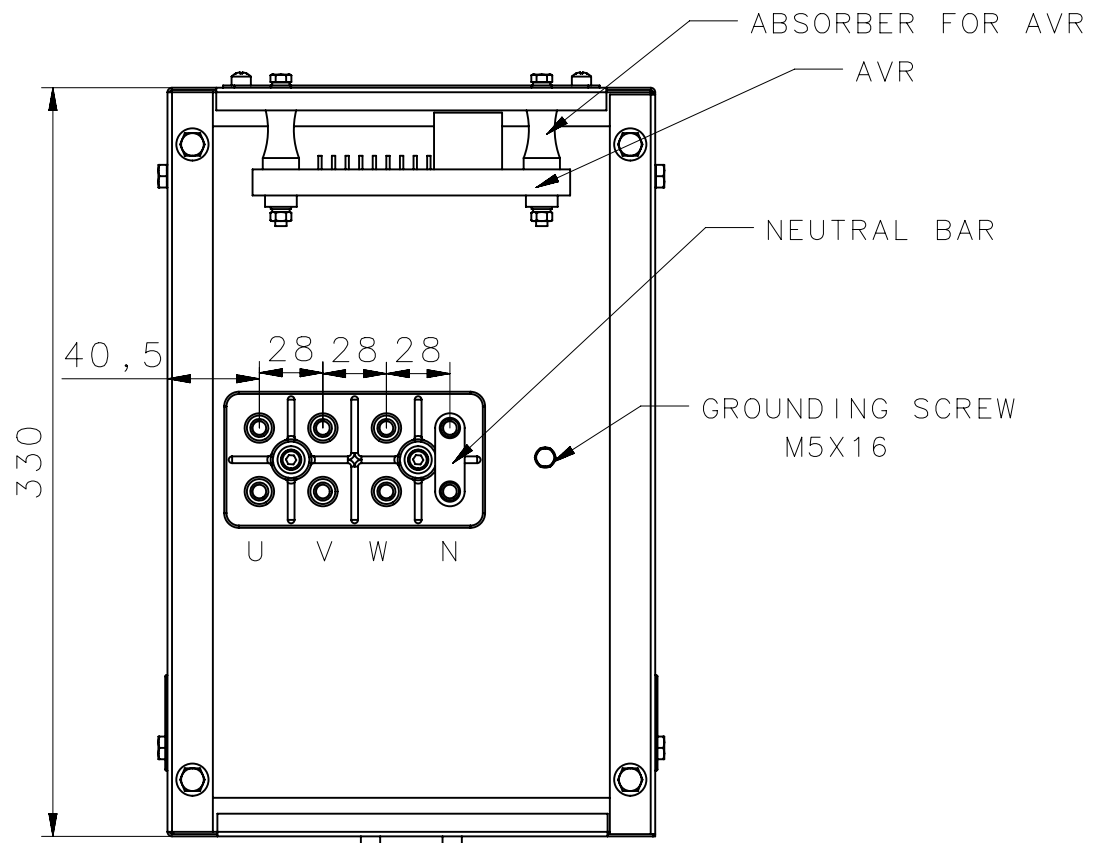
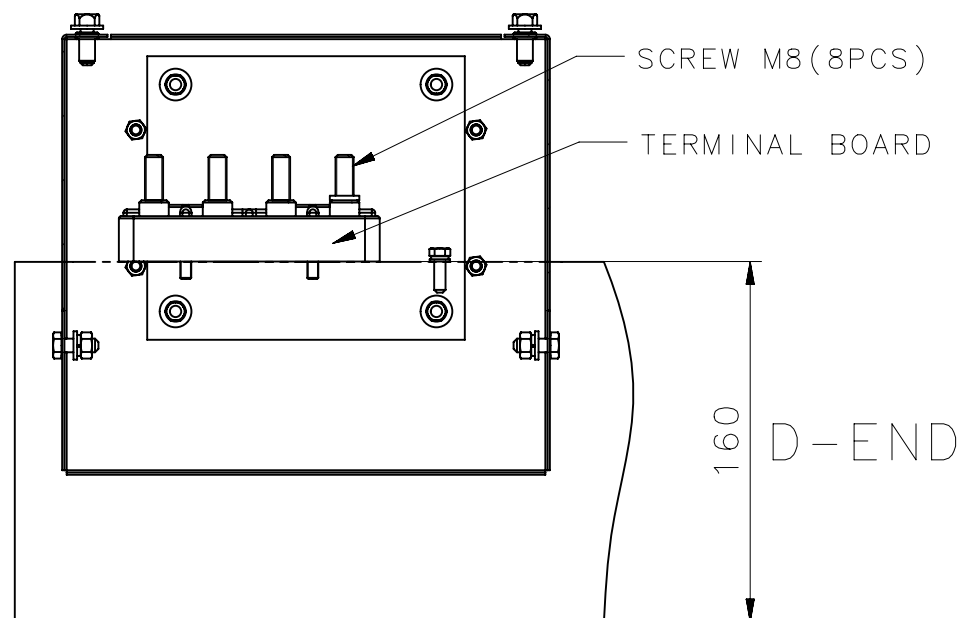
We reserve all rights in this document and in the information contained therein. Reproduction, without express or implied permission, is prohibited.
 © ABB Oy, Electrical Machines, Helsinki

Symbols for roughness according to ISO 1302 ,
 9ADA 431

General tolerances for linear and angular dimensions and geometrical tolerances: ISO 2768 -mK
 Referential standards 9ADA 422 , DIN 7168T.1, DIN 7168T.2

1 2 3

N-END



THE MAIN CABLES OF THE MACHINE CAN BE BROUGHT INTO TOP MOUNTED TERMINALS. THE USER CAN DRILL HOLES IN THE SUITABLE POSITION OR TAKE OFF THE RUBBER COVER.

Revision	Change	Date	Prep.	Rev.	Appr.
A		21-Jun-2011			
Prepared	Separate part list <input type="checkbox"/> with separate No. <input type="checkbox"/>	Title			Scale
21-Jun-2011 Hu, Sam-mi		LAYOUT OF CONNECTION			-
Reviewed	Responsible department				
21-Jun-2011 Guo, Justin-jiqiang	-				Language
Approved	Original dwg				EN
21-Jun-2011 Tu, Tubby-guobing	-				Size
Distribution	Functional code	Order No.	Weight	Type	Mounting
-			0	AMG0180_04	-
ABB Generators Ltd.				Document No.	Revision
				8AMG 5862326	A
					Sheet
					1/1