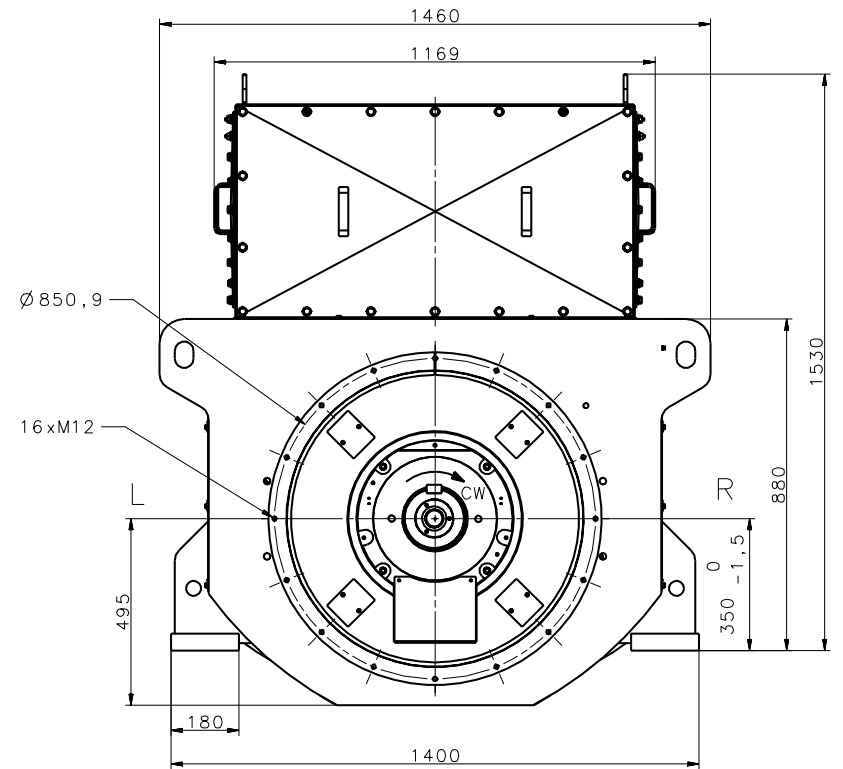
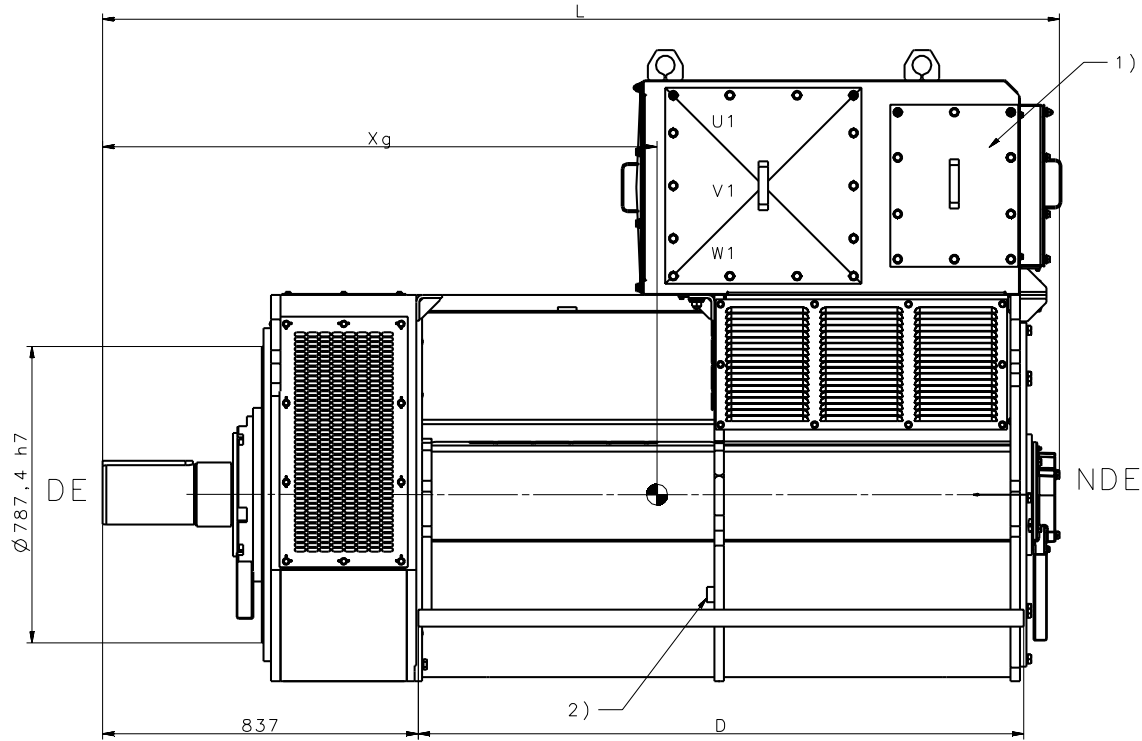


We reserve all rights in this document and in the information contained therein. Reproduction, use or disclosure to third parties without the prior written consent of ABB or ABB Generators Ltd. is prohibited. © ABB or ABB Generators Ltd. 2010.

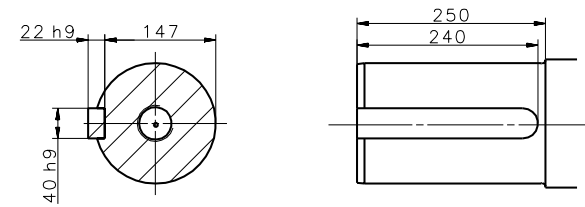
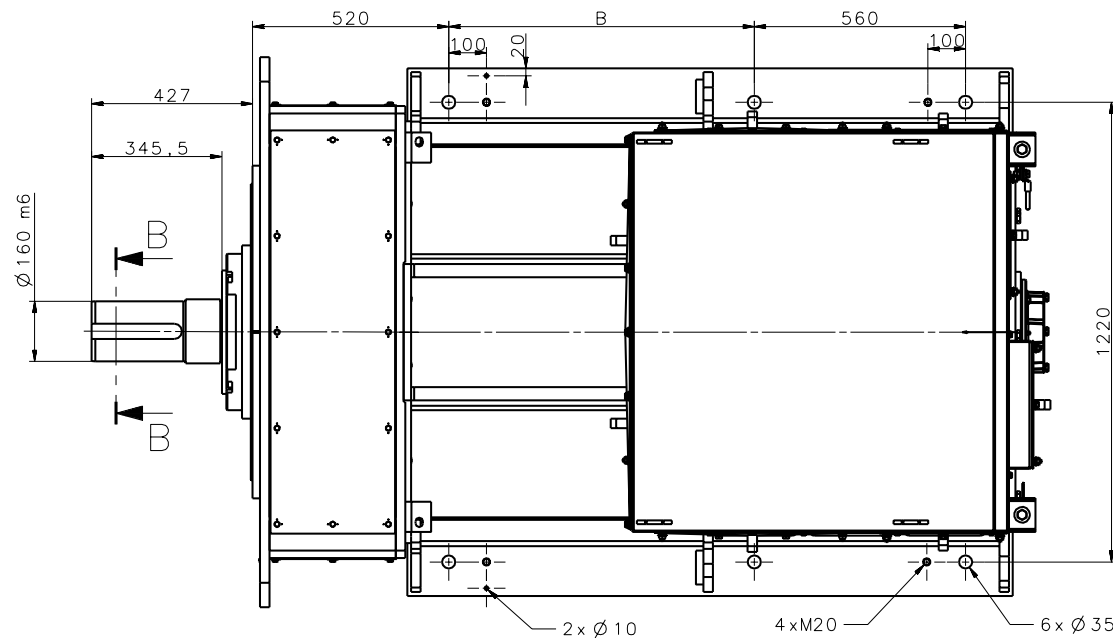
Symbols for roughness according to ISO 1302. 3004 431

General tolerances for linear and angular dimensions and geometrical tolerances: ISO 2768 - mK. Referential standards: ISO 472, DIN 71801, DIN 71801.2



- 1) TERMINAL BOX
- 2) EARTHING POINTS ON BOTH SIDES

THE ROTATING DIRECTION OF GENERATOR IS CW



SHAFT END

TYPE	L	B	D	Xg	WEIGHT
AMG 0500AA04	2425	700	1495	1303	6005
AMG 0500BB04	-	-	-	1317	6210
AMG 0500CC04	2535	810	1605	1361	6600
AMG 0500DD04	2585	860	1655	1401	7050

Prepared	28-Dec-2010 Peng, Victor-Weixin	Separate part list with separate No.	<input type="checkbox"/>	Title	MAIN DIMENSIONS	Scale	1:10
Reviewed	30-Dec-2010 Guo, Justin-Jiqiang	Responsible department	-	Language	EN	Mounting Size	A2
Approved	30-Dec-2010 Wu, Xiangdong	Original dwg	-	Document No.	8AMG 5860363	Revision Sheet	A/12
Distribution	-	Functional code	-	Weight	0	Mounting Size	-
ABB Generators Ltd.				Weight Type	AMG 0500	Mounting Size	A2