

Technical specification

Model 9C52300R000001M00
MRP code 68881412

Motor parameters

Continuous stall torque	Mo	1	12.3	Nm
Peak stall torque	Mmax	2	36.9	Nm
Rated torque	Mn @ nN	1	9.0	Nm
Rated speed	nN		3000	rpm
Rated frequency	fN		250	Hz
Number of motor poles	p		10	

Winding specifications

Torque constant	KTo_cold	2-3-5	1.51	Nm/A
Voltage constant	KE	2-3-4	0.87	Vs/rad
Resistance between phases [Ω]	R	2-3	0.88	Ohm
Inductance between phases [mH]	L	6	12.1	mH
Continuous current @ Mo	Io	1-5	9.2	A
Current @ Mmax	Imax	2-5	30.8	A
Rated current @ Mn	In	1-5	7.1	A
Bemf between phases @ nN	Ephph	2-3-4	275	V

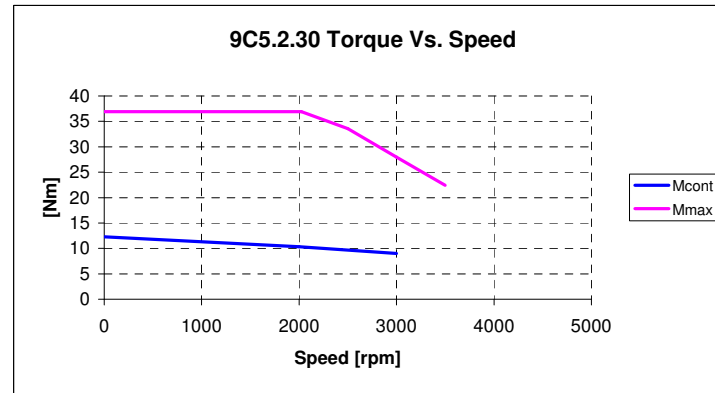
Mechanical parameters

Moment of inertia of rotor	JM	7	21.8	kg.cm ²
Mass of the motor	M	7	16.0	kg
Protection degree (body only)	-		IP65	

Notes:

- 1) Average motor windings over temperature 100 °C, ambient temperature 40 °C, flange mounted (300x300x20 steel)
- 2) All motor parts at 20 °C
- 3) Tolerance +/-10%
- 4) Vrms between phases
- 5) Arms
- 6) Tolerance +/-15%
- 7) Motor without brake

All values have been calculated



Notes:

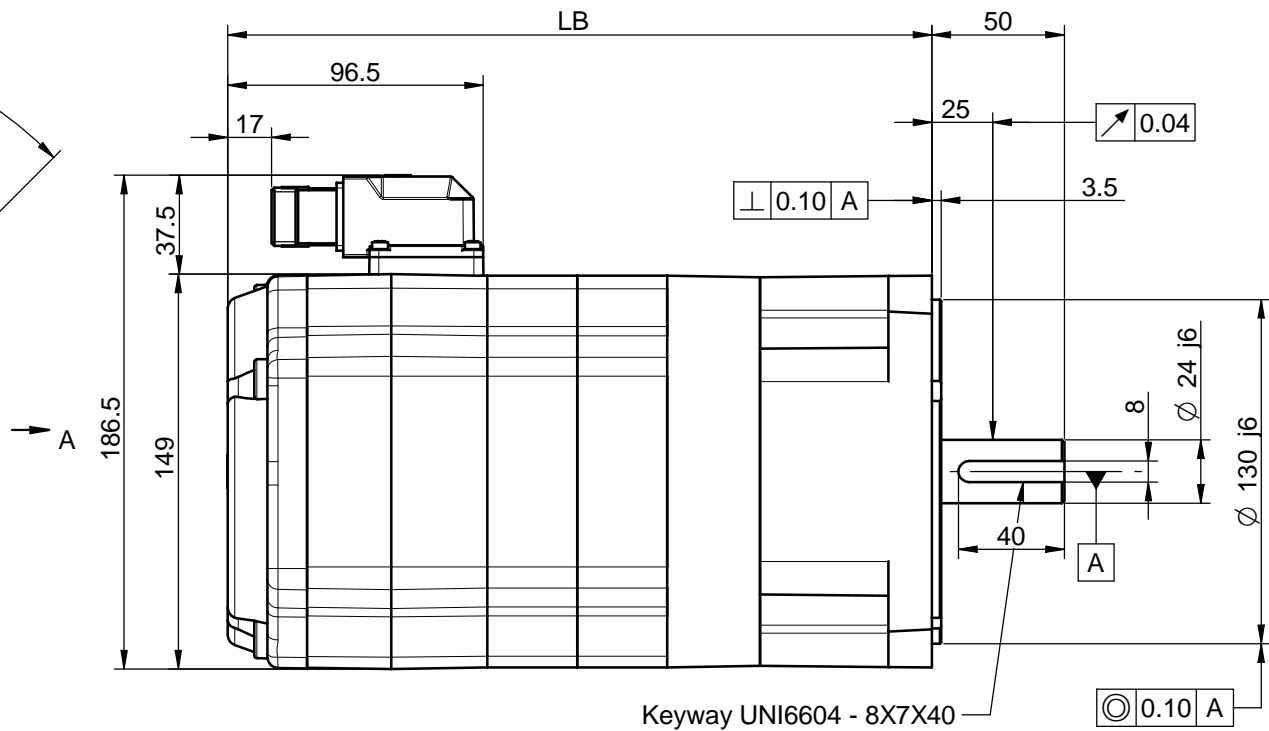
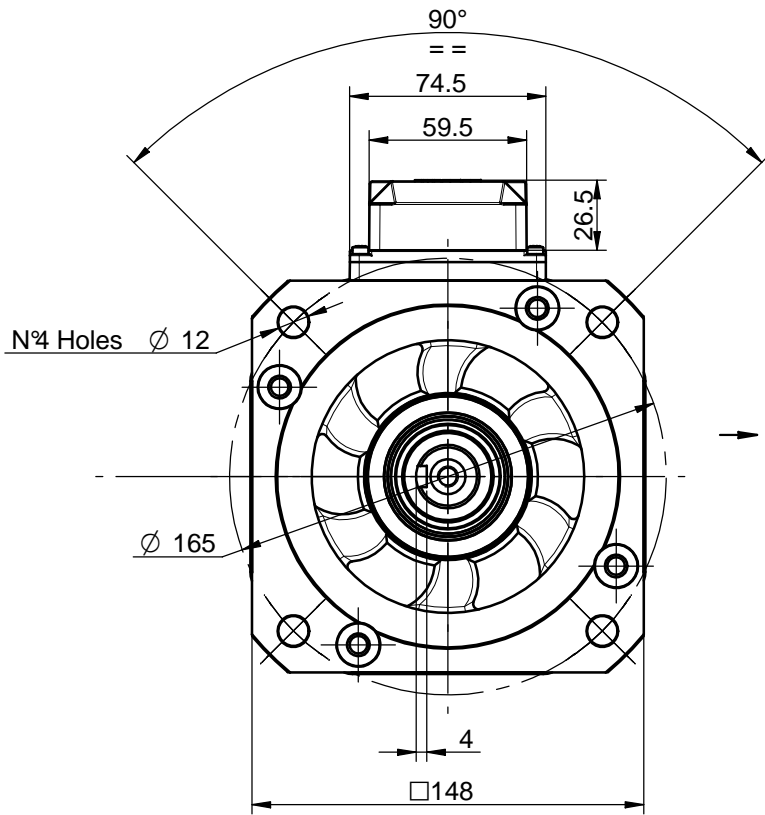
DC bus voltage: 565 Vdc (AC 400 V supply)
 Max torque curve may depend on actual DC bus voltage.

Transducer type

2-pole resolver, size 15
 Resolver pole pairs: 1
 Supply voltage: 7 V
 Supply frequency: 10 kHz

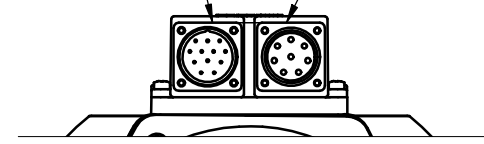
Motor overall dimensions on next page

See motor quick guide for additional information on installation, connections and transducers.

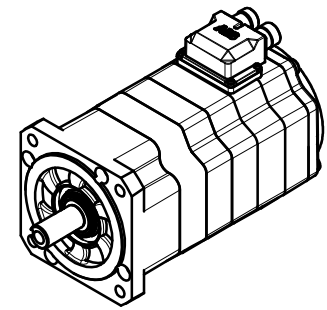


Keyway UNI6604 - 8X7X40

Signal Connector (17 pins) Power Connector (8 pins)



View A



NOTES:

- 1) This drawing refers to 9C5.2 motor equipped with brake and encoder.
- 2) Dimensions may be subject to changes.
- 3) All motors balanced with half-key, full key in package.

Motor Size	LB [mm]
9C5.2	266
9C5.3	300
9C5.4	334
9C5.6	402

(A) - 24/09/08 - Modified dimensions in table, updated drawing
(B) - 12/11/08 - Removed 32X58 shaft option

<input checked="" type="checkbox"/>	<input checked="" type="checkbox"/>	<input checked="" type="checkbox"/>	<input checked="" type="checkbox"/>	<input checked="" type="checkbox"/>	<input checked="" type="checkbox"/>	<input checked="" type="checkbox"/>	<input checked="" type="checkbox"/>
C	D	E	F	G	H	I	L
MODIFICHE							

<p>ABB S.p.A.</p>	<p>QUOTE SENZA INDICAZIONE DI TOLLERANZA GRADO DI PRECISIONE SECONDO UNI 5307-63</p>	<p><input type="checkbox"/> GROSSOLANO <input type="checkbox"/> MEDIO <input type="checkbox"/> PRECISO</p>	<p>SCALA DATA 1:2 22/10/2007</p>
	<p>DENOMINAZIONE</p> <p>9C5 Motor Overall Dimensions</p>	<p>LAVORAZIONI 0.2 ✓ = ✓ 0.8 ✓ = ✓ 3.2 ✓ = ✓ 12.5 ✓ = ✓ ✓ = ~</p>	<p>DISEGN. CONTROL. PGS Ing. Secondo</p>
<p>MATERIALE</p>	<p>PROTEZ. SUPERFICIALE</p>	<p>PESO</p>	<p>DISEGNO NR. 15.27050</p>

ABB S.p.A., proprietaria di questo disegno, ne vieta la comunicazione a terzi e la diffusione non autorizzata