

## Technical specification

**Model** 9C44300R000001M00  
**MRP code** 68959951

### Motor parameters

Continuous stall torque	Mo	1	12	Nm
Peak stall torque	Mmax	2	36	Nm
Rated torque	Mn @ nN	1	7.5	Nm
Rated speed	nN		3000	rpm
Rated frequency	fN		250	Hz
Number of motor poles	p		10	

### Winding specifications

Torque constant	KTo_cold	2-3-5	1.67	Nm/A
Voltage constant	KE	2-3-4	0.96	Vs/rad
Resistance between phases [Ω]	R	2-3	1.39	Ohm
Inductance between phases [mH]	L	6	10.7	mH
Continuous current @ Mo	Io	1-5	8.2	A
Current @ Mmax	I <sub>max</sub>	2-5	27.3	A
Rated current @ Mn	In	1-5	5.4	A
Bemf between phases @ nN	E <sub>phph</sub>	2-3-4	302	V

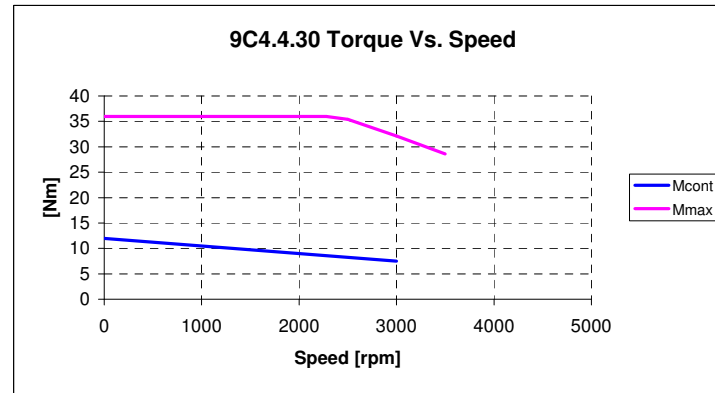
### Mechanical parameters

Moment of inertia of rotor	JM	7	14.7	kg.cm <sup>2</sup>
Mass of the motor	M	7	12.8	kg
Protection degree (body only)	-		IP65	

#### Notes:

- 1) Average motor windings over temperature 100 °C, ambient temperature 40 °C, flange mounted (300x300x20 steel)
- 2) All motor parts at 20 °C
- 3) Tolerance +/-10%
- 4) Vrms between phases
- 5) Arms
- 6) Tolerance +/-15%
- 7) Motor without brake

All values have been calculated



#### Notes:

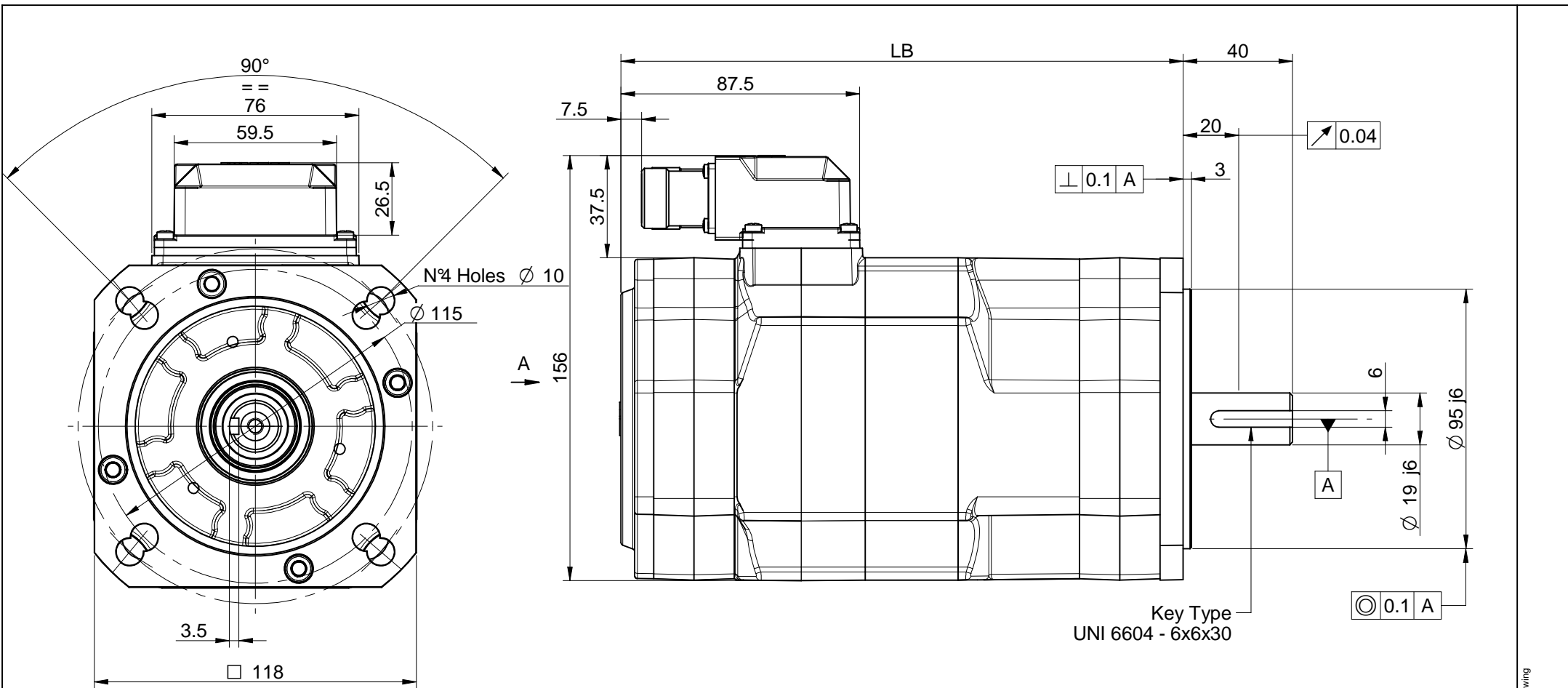
DC bus voltage: 565 Vdc (AC 400 V supply)  
 Max torque curve may depend on actual DC bus voltage.

#### Transducer type

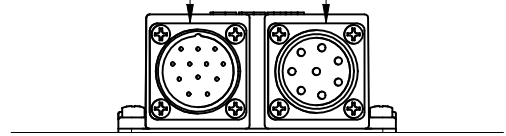
2-pole resolver, size 15  
 Resolver pole pairs: 1  
 Supply voltage: 7 V  
 Supply frequency: 10 kHz

Motor overall dimensions on next page

See motor quick guide for additional information on installation, connections and transducers.



Signal Connector (17 pins)      Power Connector (8 pins)



- NOTES:**
- 1) This drawing refers to 9C4.1 motor equipped with brake and encoder.
  - 2) Dimensions may be subject to changes.
  - 3) All motors balanced with half-key, full key in package.

Motor Sizes				
TYPE	LB RESOLVER	LB ENCODER	LB Brake	LB Brake + ENCODER
9C4.1	147	176,5	176,5	206
9C4.2	181	210,5	210,5	240
9C4.3	215	244,5	244,5	274
9C4.4	249	278,5	278,5	308

<b>ABB</b> ABB S.p.A. CODICE	QUOTE SENZA INDICAZIONE DI TOLLERANZA GRADO DI PRECISIONE SECONDO UNI 5307-63	<input type="checkbox"/> GROSSOLANO <input type="checkbox"/> MEDIO <input type="checkbox"/> PRECISO	SCALA 1:1	DATA 22/10/2007
	<b>9C4 Motor Overall Dimensions</b>	LAVORAZIONI 0,2 ✓ = ✓ 0,5 ✓ = ✓ 1,2 ✓ = ✓ 12,5 ✓ = ✓	DISIGN. PGS Ing. Secondo	CONTROLLO SERIE 9C4
MATERIALE	PROTEZ. SUPERFICIALE	PESO	DISIGNO NR.	15.26050

(A) 2008-09-26 - Modified dimensions in length table, updated drawing

ABB S.p.A. proprietà di questo disegno, ne vieta la comunicazione a terzi e la diffusione non autorizzata