

# Current Limiting Fuses, CEF & CEF-TCU

Rated voltage: 3,6/7,2-36 kV  
 Rated current: 6-200 A

The CEF/CEF-TCU current limiting fuses design is based on overload spots that significantly reduce fuse structure temperature during interruption process. Additionally, thanks to last modification of striker pin functionality that release can be now temperature dependent – Temperature Control Unit (TCU) – increase application safety for gas insulated panels.

**Main features:**

- low minimum breaking current,
- low power losses, specially suitable in compact switchgear and ring main units,
- high breaking capacity,
- high current limitation,
- type tested acc. to IEC 60282-1,
- dimensions acc. to IEC 60282-1 and DIN 43625,
- versions CEF-TCU equipped with Temperature Control Unit, which protects against high temperature in enclosed compartments,
- indoor/outdoor (CEF-U) application,
- equipped with medium type striker, which is activated immediately when the fuse-elements melt.



**Available fuses ratings and dimensions, rated currents are listed in single cells**

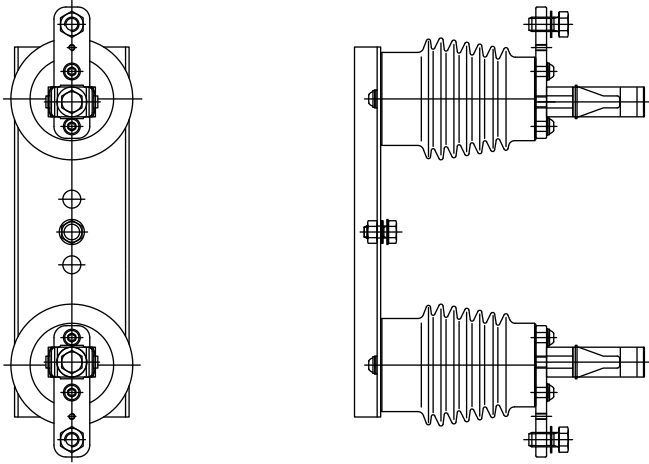
Rated voltage [kV]	Dimensions e[mm]/D[mm] & Rated current I <sub>n</sub> [A]												
	e=192		D=53	e=292		e=367		D=53	e=442		e=537		
	D=65	D=87		D=65	D=87	D=65	D=87		D=65	D=87	D=65	D=87	
3,6/7,2	6;10; 16;25; 40;50;63	80; 100		6;10; 16;25; 40;50;63	80;100;125; 160;200		125;160; 200						
12			6;10; 16;20	6;10;16; 25;31,5; 40;50; 63;80; 100;	80;100;125;			6;10; 16;20	6;10;16;25; 31,5;40;50; 63;80;100; 125	80;100;125; 160;200	125	125; 160; 200	
17,5				6;10;16; 20;25; 31,5; 40;50	40;50;63		6;10;16; 20;25;31,5; 40;50	40;50; 63;100	6;10;16;20; 25;31,5;40; 50	40;50;63;80; 100;125		80; 100; 125	
24								6;10; 16;20	6;10;16;20; 25;31,5;40; 50;63	50;63;80; 100;125	80	80; 100; 125	
27									6;10;16	25;40;50;63		80; 100	
36											6;10;16	25;40	



# Accessories

## Fuse-base type UCE – recommended fuse-base for CEF fuses

Type	Rated voltage [kV]	Max. tested fuse-link current [A]	Fuse length e [mm]
UCE 7,2	7,2	100	192
UCE 12	12	200	292
UCE 12L	12	200	442
UCE 17,5	17,5	63	292
UCE 24	24	125	442
UCE 24L	24	125	537
UCE 36	36	40	537



For more information please contact:

**ABB Sp. z o.o.**

**Branch in Przasnysz**

Leszno 59 Str.

06-300 Przasnysz, Poland

Phone: (+48) 22 51 52 621, (+48) 22 51 52 653

(+48) 29 75 33 233, (+48) 29 75 33 317

Fax: (+48) 22 51 52 642, (+48) 29 75 33 327

**[www.abb.com](http://www.abb.com)**

Note:

We reserve the right to make technical changes or modify the contents of this document without prior notice. With regard to purchase orders, the agreed particulars shall prevail.

ABB does not accept any responsibility whatsoever for potential errors or possible lack of information in this document. We reserve all rights in this document and in the subject matter and illustrations contained therein. Any reproduction, disclosure to third parties or utilization of its contents – in whole or in parts – is forbidden without prior written consent of ABB.

Copyright 2009 ABB

All rights reserved