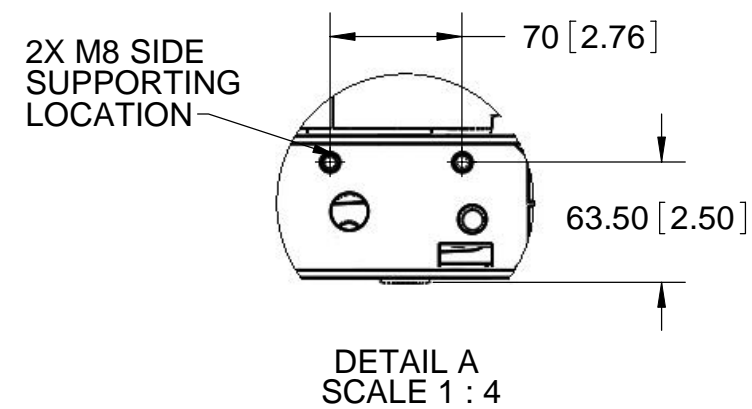
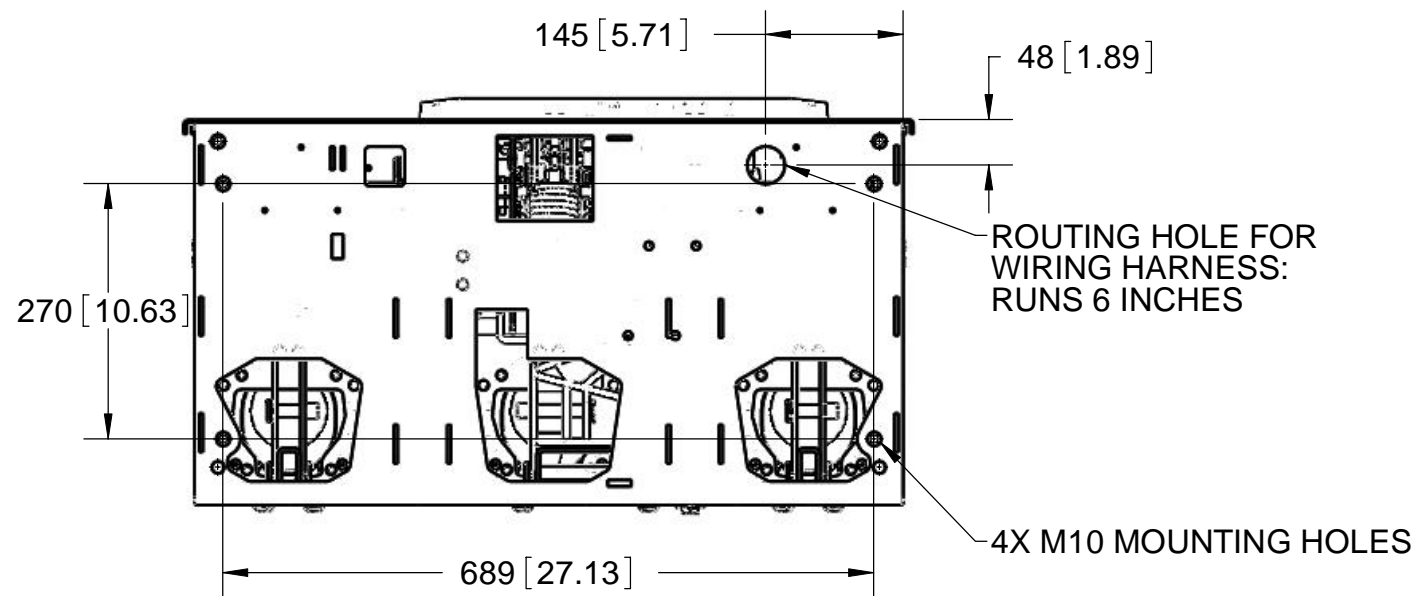
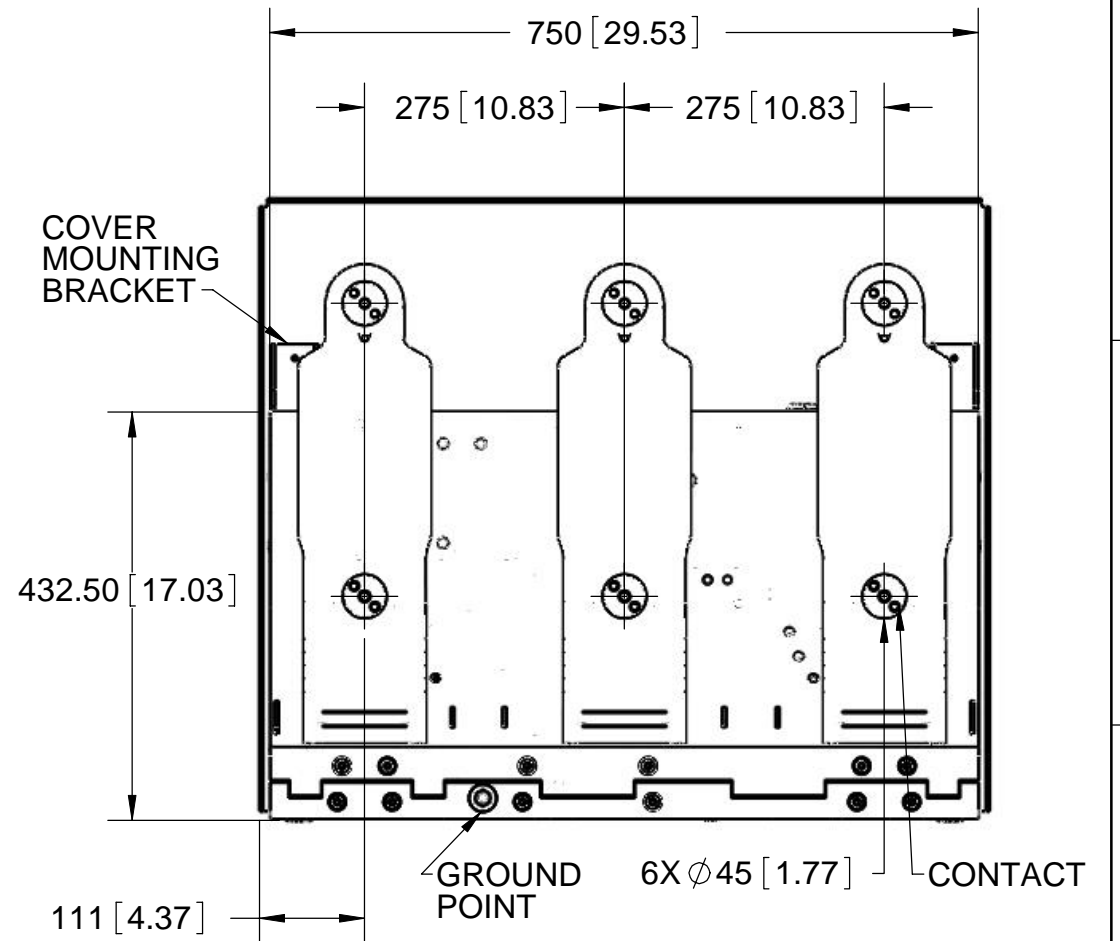
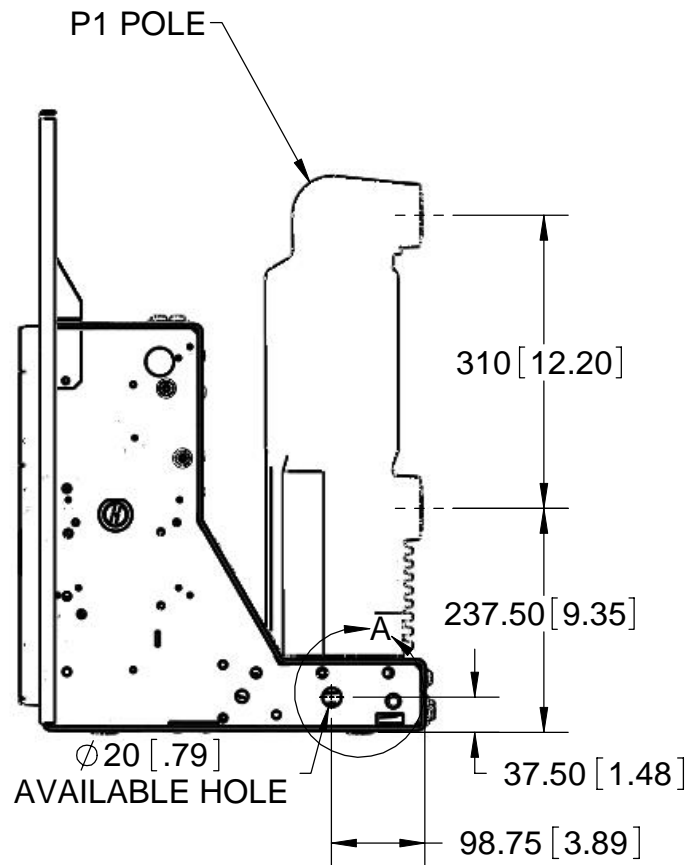
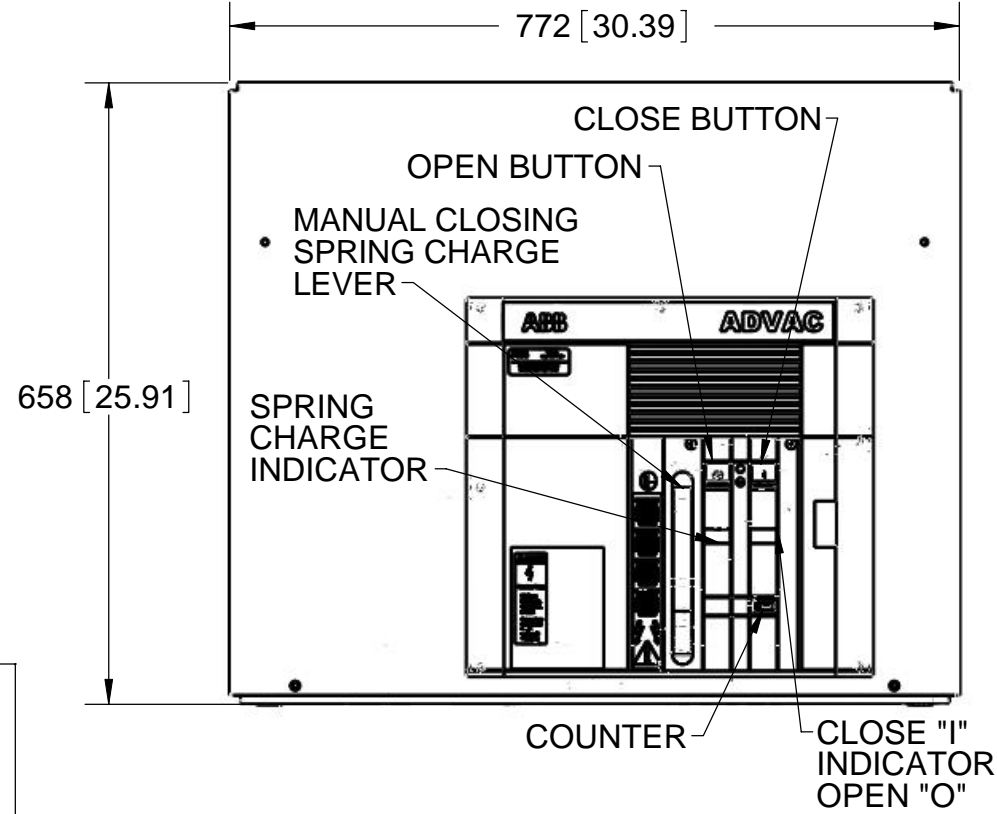


NOTES:

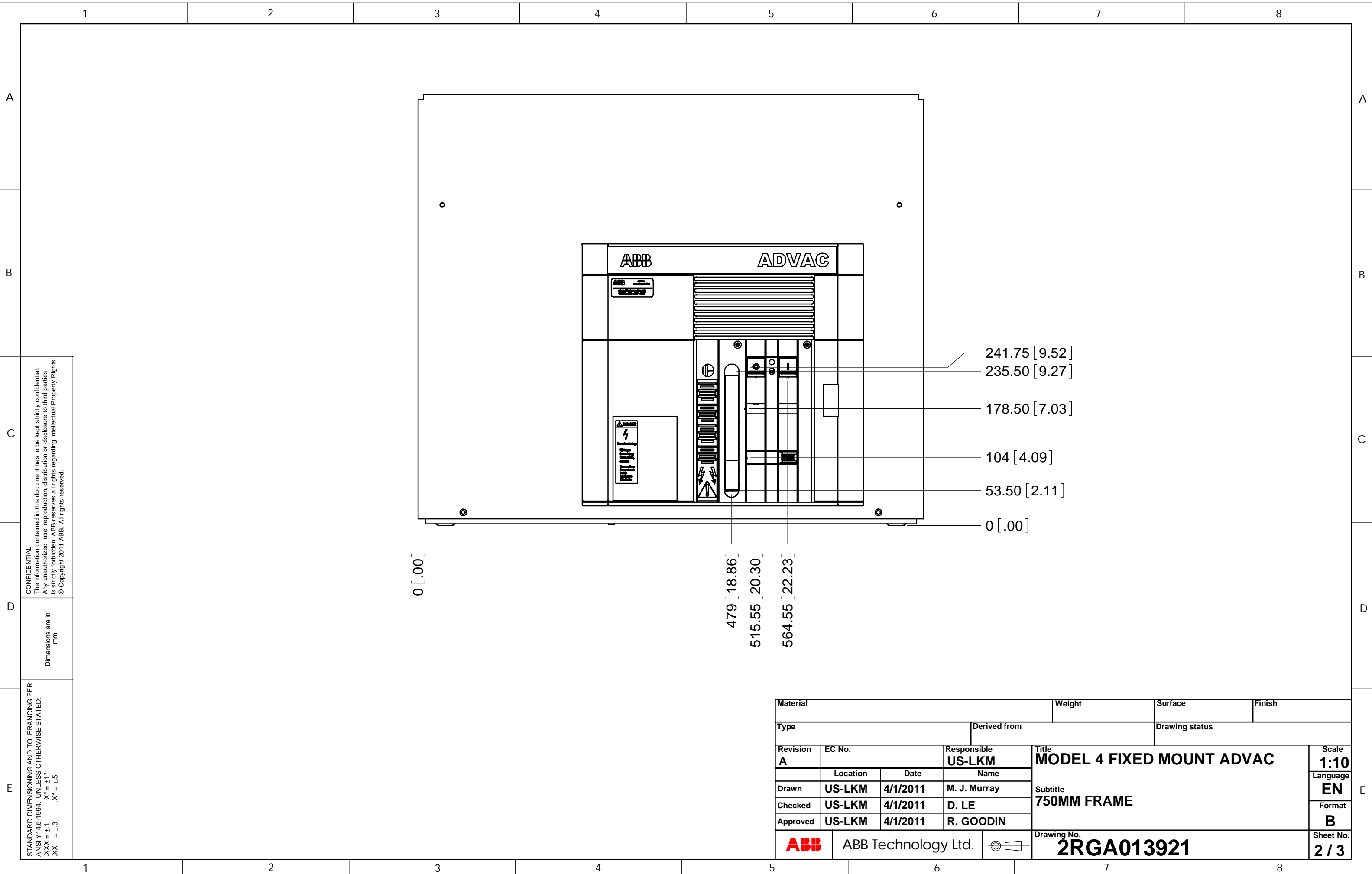


CONFIDENTIAL
The information contained in this document has to be kept strictly confidential. Any unauthorized use, reproduction, distribution or disclosure to third parties is strictly forbidden. ABB reserves all rights regarding Intellectual Property Rights. © Copyright 2011 ABB. All rights reserved.

Dimensions are in mm [in.]

STANDARD DIMENSIONING AND TOLERANCING PER ANSI Y14.5-1994. UNLESS OTHERWISE STATED:
.XX = ±.40 X = ±1*
.X = ±.8 X* = ±.5

REVISIONS					
Rev.	Description				Date
A	INITIAL RELEASE				5/5/2011
Material			Weight	Surface	Finish
Type		Derived from		Drawing status	
Revision A	EC No.	Responsible US-LKM		Title MODEL 4 FIXED MOUNT ADVAC	
	Location	Date	Name	Scale 1:10	
Drawn	US-LKM	4/1/2011	M. J. Murray	Language EN	
Checked	US-LKM	4/1/2011	D. LE	Format B	
Approved	US-LKM	4/1/2011	R. GOODIN	Sheet No. 1 / 3	
ABB		ABB Technology Ltd.		Drawing No. 2RGA013921	



CONFIDENTIAL
 The information contained in this document has to be kept strictly confidential. Any unauthorized use, reproduction, distribution or disclosure to third parties is strictly forbidden. ABB reserves all rights regarding Intellectual Property Rights. © Copyright 2011 ABB. All rights reserved.

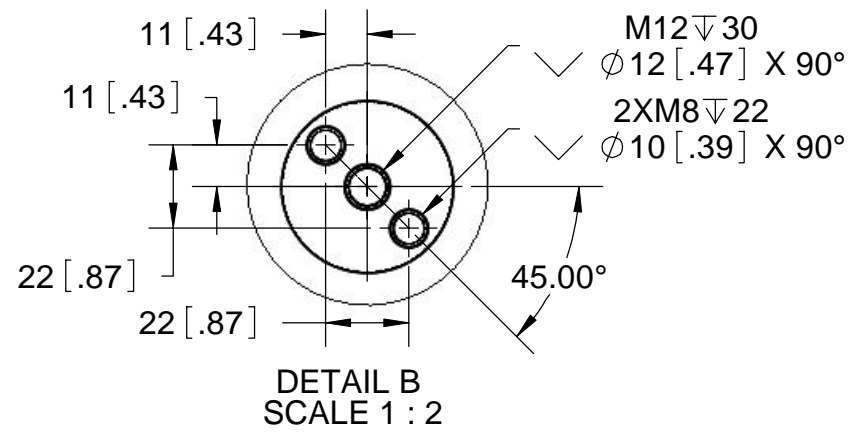
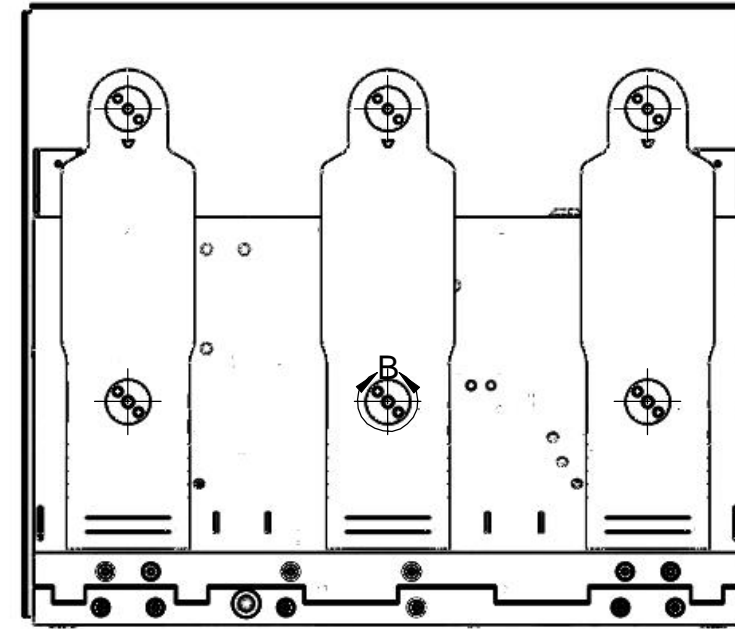
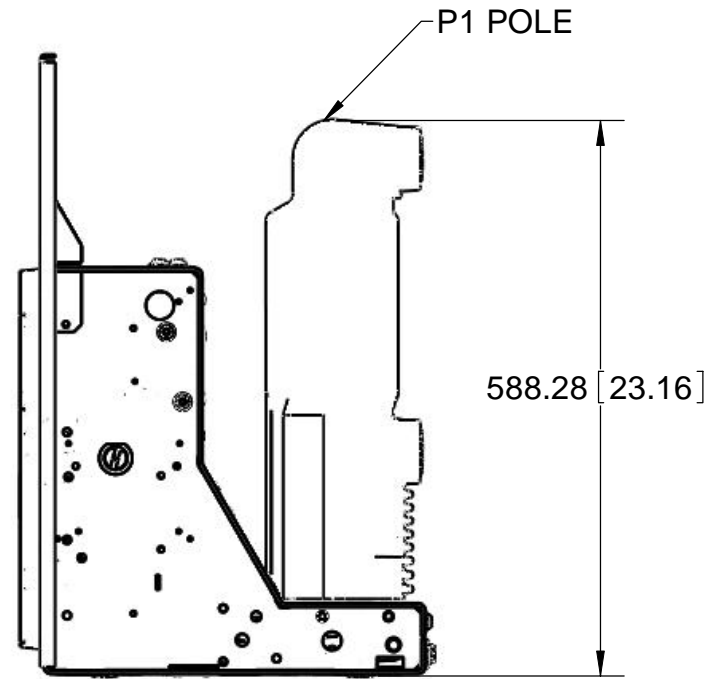
Dimensions are in mm

STANDARD DIMENSIONING AND TOLERANCING PER ANSI Y14.5-1994. UNLESS OTHERWISE STATED:
 .XXX = ±.1
 .XX = ±.3
 .X = ±.5
 X* = ±1*
 .X* = ±.5

- 0 [.00]
- 479 [18.86]
- 515.55 [20.30]
- 564.55 [22.23]
- 0 [.00]
- 53.50 [2.11]
- 104 [4.09]
- 178.50 [7.03]
- 235.50 [9.27]
- 241.75 [9.52]

Material		Weight		Surface		Finish	
Type			Derived from			Drawing status	
Revision A	EC No.	Responsible US-LKM		Title MODEL 4 FIXED MOUNT ADVAC		Scale 1:10	
Drawn	Location US-LKM	Date 4/1/2011	Name M. J. Murray		Subtitle 750MM FRAME		Language EN
Checked	US-LKM	4/1/2011	D. LE				Format B
Approved	US-LKM	4/1/2011	R. GOODIN				
ABB		ABB Technology Ltd.		Drawing No. 2RGA013921		Sheet No. 2 / 3	

NOTES:



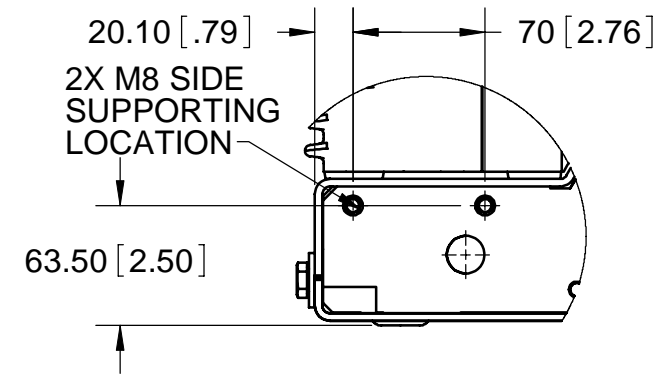
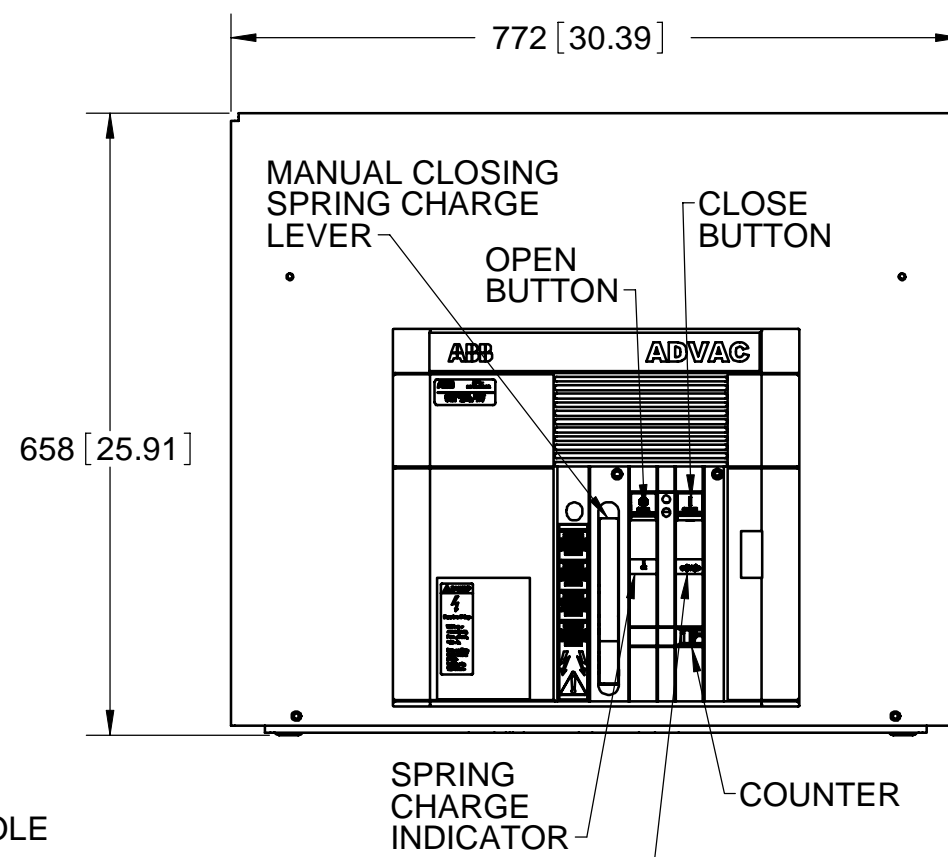
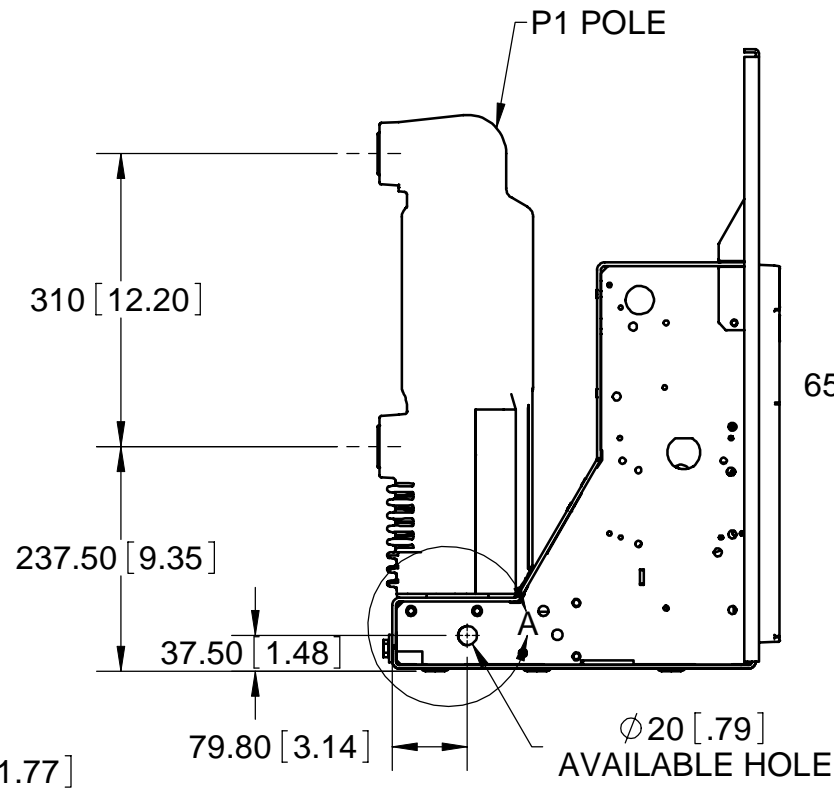
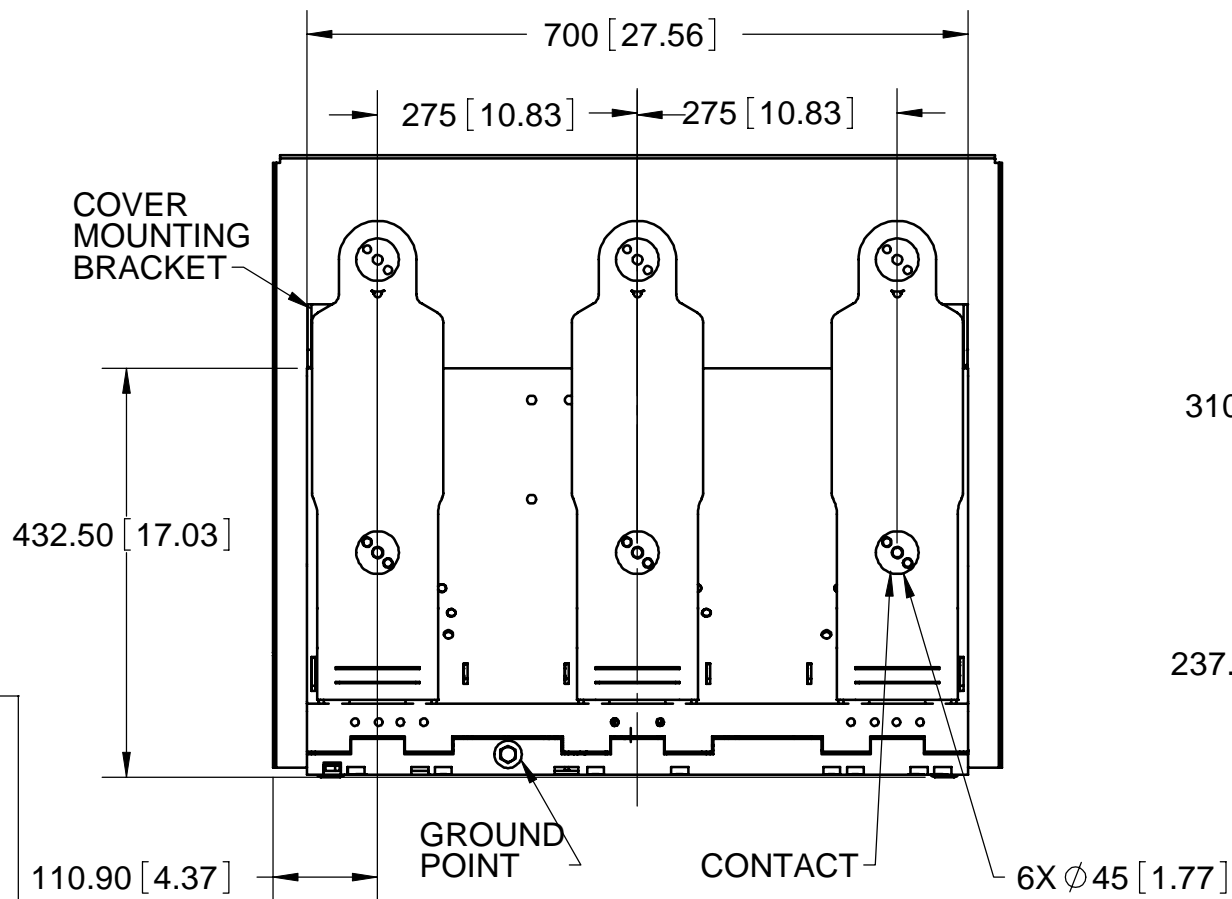
CONFIDENTIAL
The information contained in this document has to be kept strictly confidential. Any unauthorized use, reproduction, distribution or disclosure to third parties is strictly forbidden. ABB reserves all rights regarding Intellectual Property Rights. © Copyright 2011 ABB. All rights reserved.

Dimensions are in mm[in.]

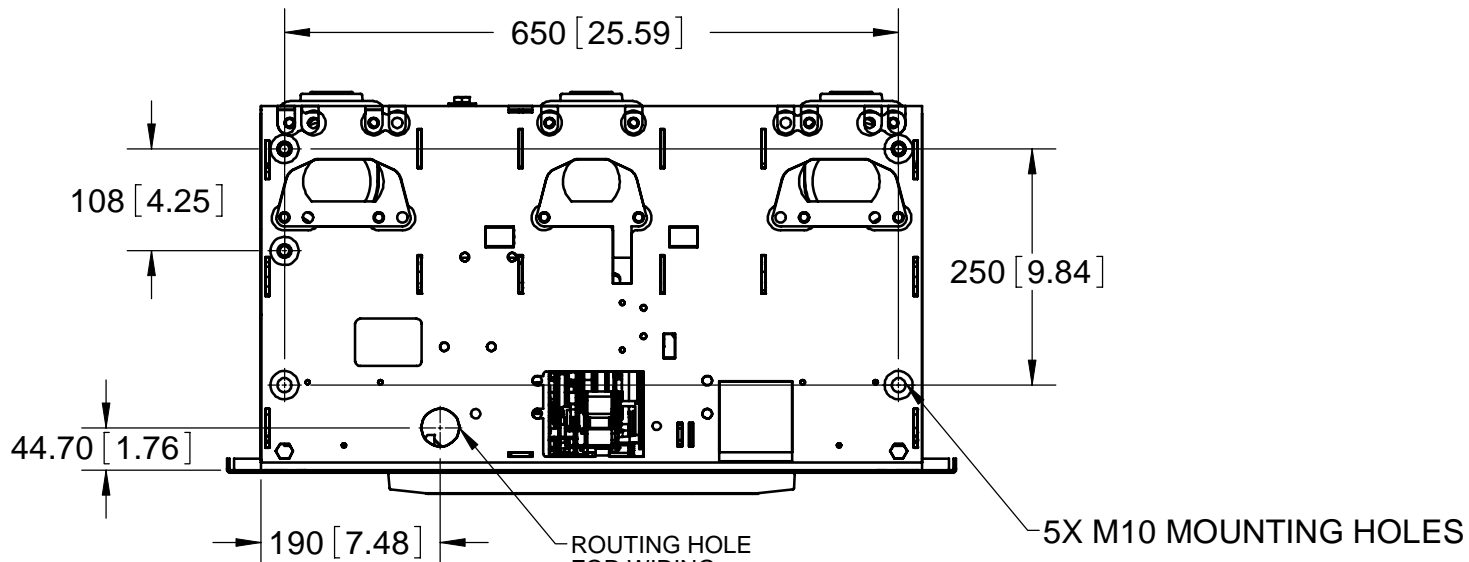
STANDARD DIMENSIONING AND TOLERANCING PER ANSI Y14.5-1994, UNLESS OTHERWISE STATED:
.XX = ±.40
.X = ±.8

Revisions					
Zone	Rev.	Description			Date
	A	INITIAL RELEASE			4/1/2011
Material			Weight	Surface	Finish
Type		Derived from		Drawing status	
Revision A	EC No.	Responsible US-LKM	Title MODEL 4 FIXED MOUNT ADVAC		Scale 1:10
Drawn	US-LKM	4/1/2011	M. J. Murray	Subtitle 750MM FRAME	Language EN
Checked	US-LKM	4/1/2011	D. LE		Format B
Approved	US-LKM	4/1/2011	R. GOODIN		
ABB		ABB Technology Ltd.		Drawing No. 2RGA013921	Sheet No. 3 / 3

NOTES:



DETAIL A
SCALE 1 : 4

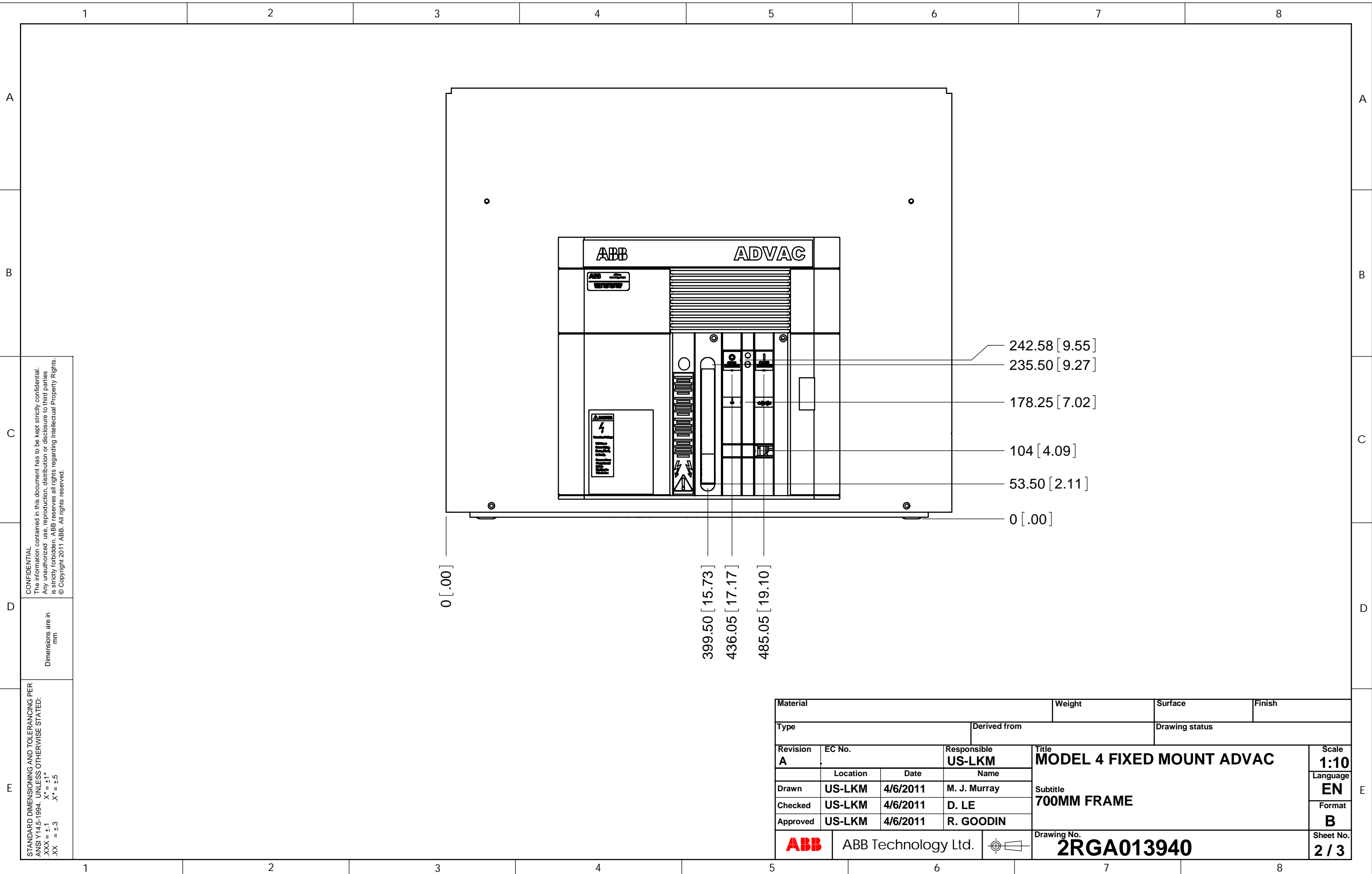


CONFIDENTIAL
 The information contained in this document has to be kept strictly confidential. Any unauthorized use, reproduction, distribution or disclosure to third parties is strictly forbidden. ABB reserves all rights regarding Intellectual Property Rights. © Copyright 2011 ABB. All rights reserved.

Dimensions are in mm[in.]

STANDARD DIMENSIONING AND TOLERANCING PER ANSI Y14.5-1994. UNLESS OTHERWISE STATED:
 .XX = ±.40 X = ±1*
 .X = ±.8 X* = ±.5

REVISIONS					
Rev.	Description			Date	
A	INITIAL RELEASE			5/5/2011	
Material		Weight	Surface	Finish	
Type		Derived from		Drawing status	
Revision A	EC No.	Responsible	Title		Scale
		US-LKM	MODEL 4 FIXED MOUNT ADVAC		1:10
Drawn	Location	Date	Name		Language
	US-LKM	4/6/2011	M. J. Murray		EN
Checked	US-LKM	4/6/2011	D. LE		Format
Approved	US-LKM	4/6/2011	R. GOODIN		B
ABB		ABB Technology Ltd.		Drawing No.	Sheet No.
				2RGA013940	1 / 3



CONFIDENTIAL
 The information contained in this document has to be kept strictly confidential. Any unauthorized use, reproduction, distribution or disclosure to third parties is strictly forbidden. ABB reserves all rights regarding Intellectual Property Rights. © Copyright 2011 ABB. All rights reserved.

Dimensions are in mm

STANDARD DIMENSIONING AND TOLERANCING PER ANSI Y14.5-1994. UNLESS OTHERWISE STATED:
 .XXX = ±.1
 .XX = ±.3
 .X = ±.5
 X* = ±1*
 .X* = ±.5

- 0 [.00]
- 399.50 [15.73]
- 436.05 [17.17]
- 485.05 [19.10]
- 0 [.00]
- 53.50 [2.11]
- 104 [4.09]
- 178.25 [7.02]
- 235.50 [9.27]
- 242.58 [9.55]

Material		Weight		Surface		Finish	
Type			Derived from			Drawing status	
Revision A	EC No.		Responsible US-LKM		Title MODEL 4 FIXED MOUNT ADVAC		Scale 1:10
Drawn	Location US-LKM	Date 4/6/2011	Name M. J. Murray		Subtitle 700MM FRAME		Language EN
Checked	US-LKM	4/6/2011	D. LE				Format B
Approved	US-LKM	4/6/2011	R. GOODIN				
ABB		ABB Technology Ltd.		Drawing No. 2RGA013940		Sheet No. 2 / 3	

A

B

C

D

E

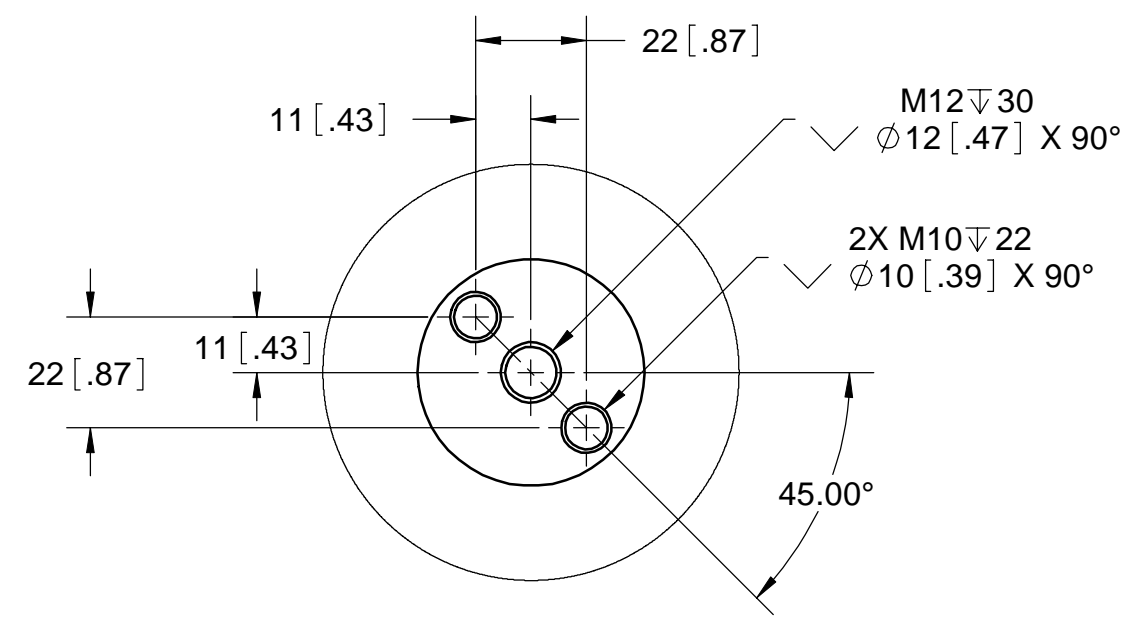
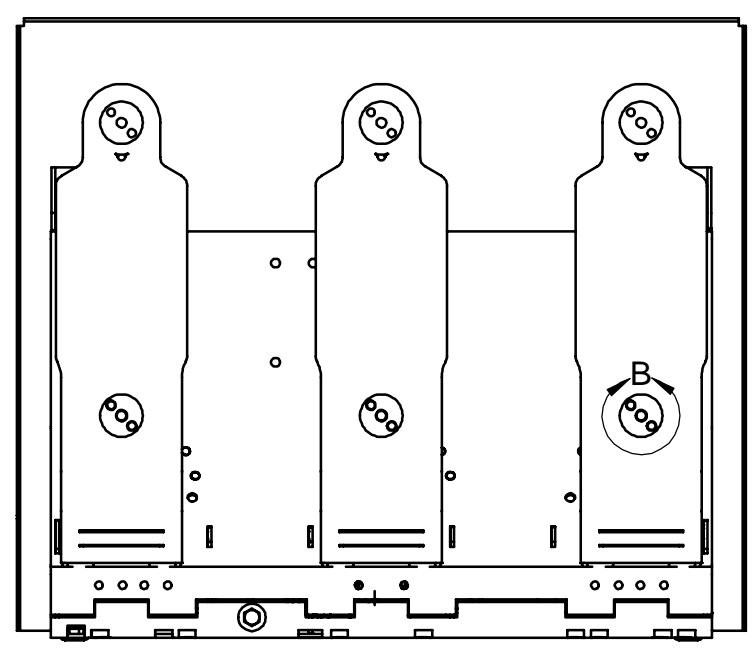
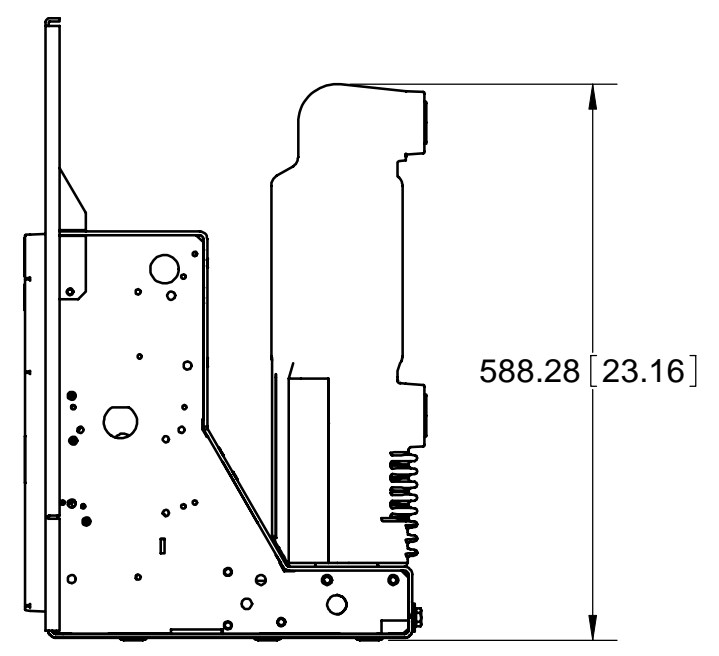
A

B

C

D

E



DETAIL B
SCALE 2 : 3

CONFIDENTIAL
The information contained in this document has to be kept strictly confidential. Any unauthorized use, reproduction, distribution or disclosure to third parties is strictly forbidden. ABB reserves all rights regarding Intellectual Property Rights. © Copyright 2011 ABB. All rights reserved.

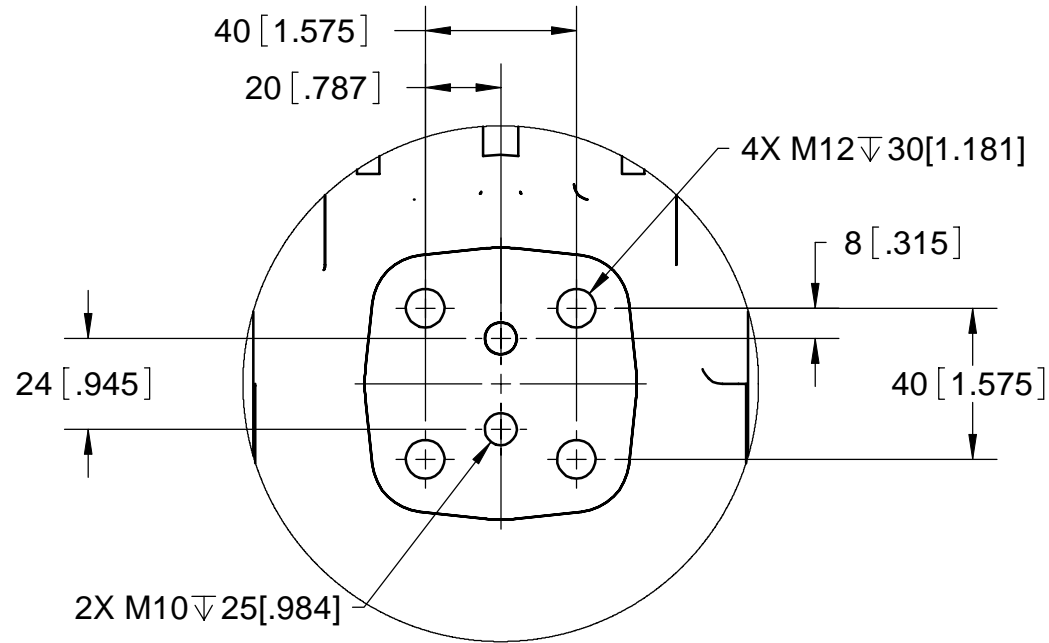
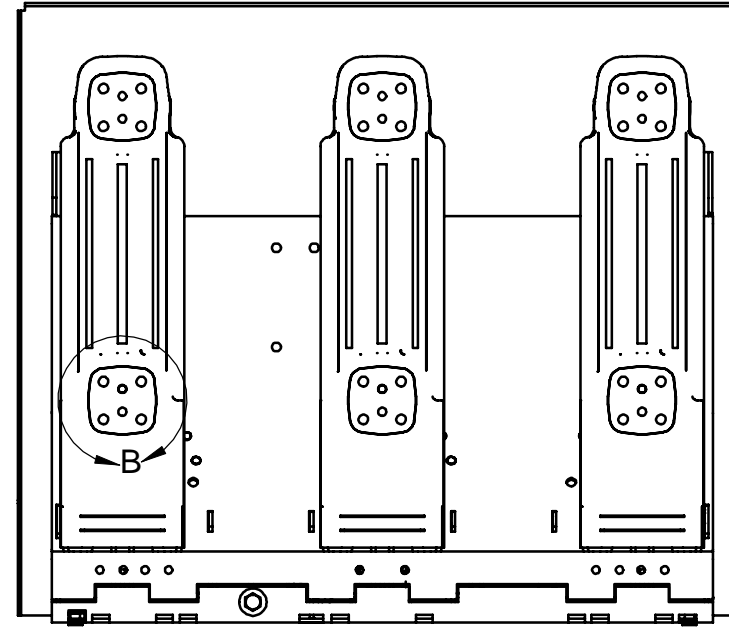
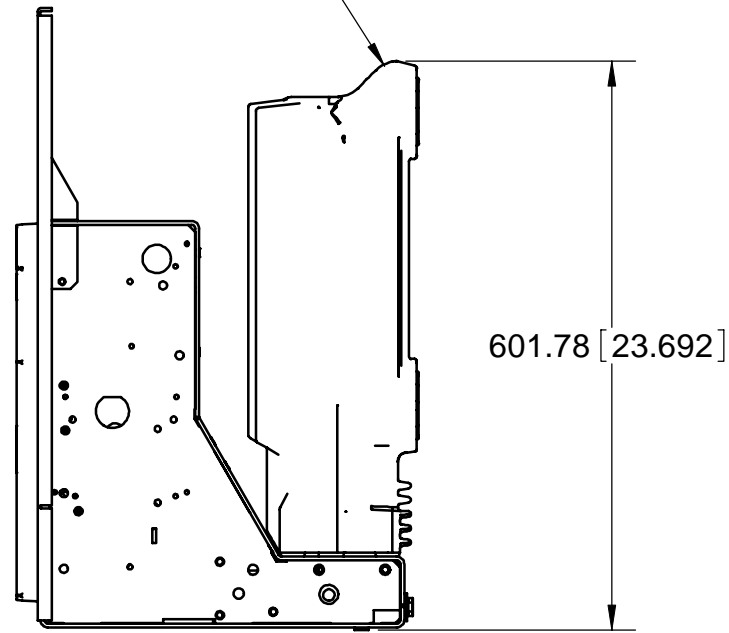
Dimensions are in mm

STANDARD DIMENSIONING AND TOLERANCING PER ANSI Y14.5-1994. UNLESS OTHERWISE STATED:
.XXX = ±.1
.XX = ±.3
.X = ±.5
X* = ±1*

Material		Weight		Surface		Finish	
Type			Derived from			Drawing status	
Revision A	EC No.	Responsible US-LKM		Title MODEL 4 FIXED MOUNT ADVAC			Scale 1:10
Drawn	US-LKM	Date 4/6/2011	Name M. J. Murray		Subtitle 700MM FRAME		Language EN
Checked	US-LKM	Date 4/6/2011	Name D. LE				Format B
Approved	US-LKM	Date 4/6/2011	Name R. GOODIN				Sheet No. 3 / 3
ABB		ABB Technology Ltd.		Drawing No. 2RGA013940			

NOTES:

P2 POLE



DETAIL B
SCALE 1 : 2

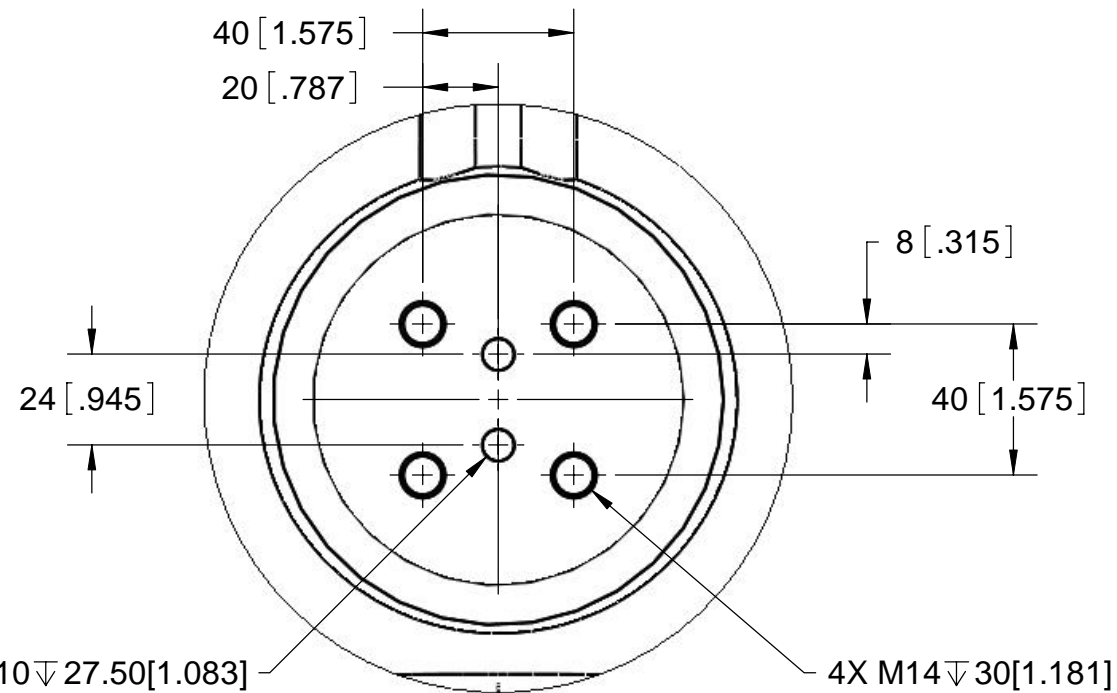
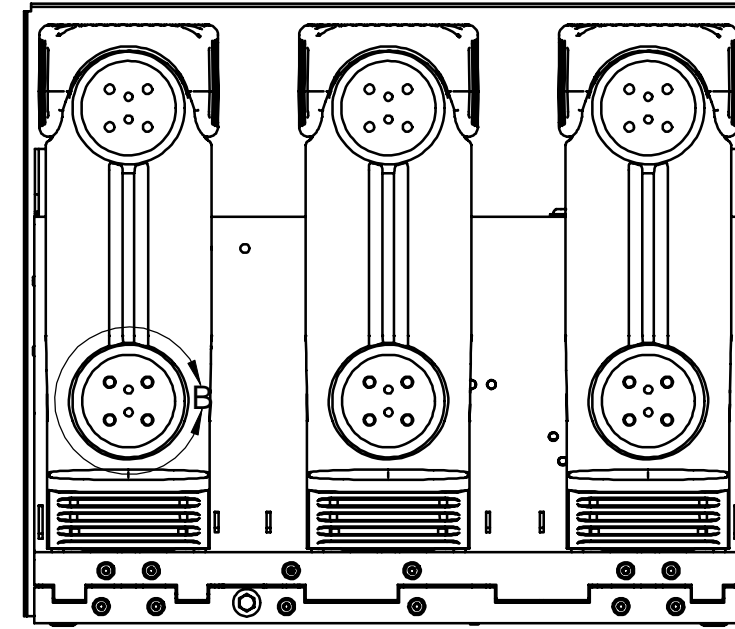
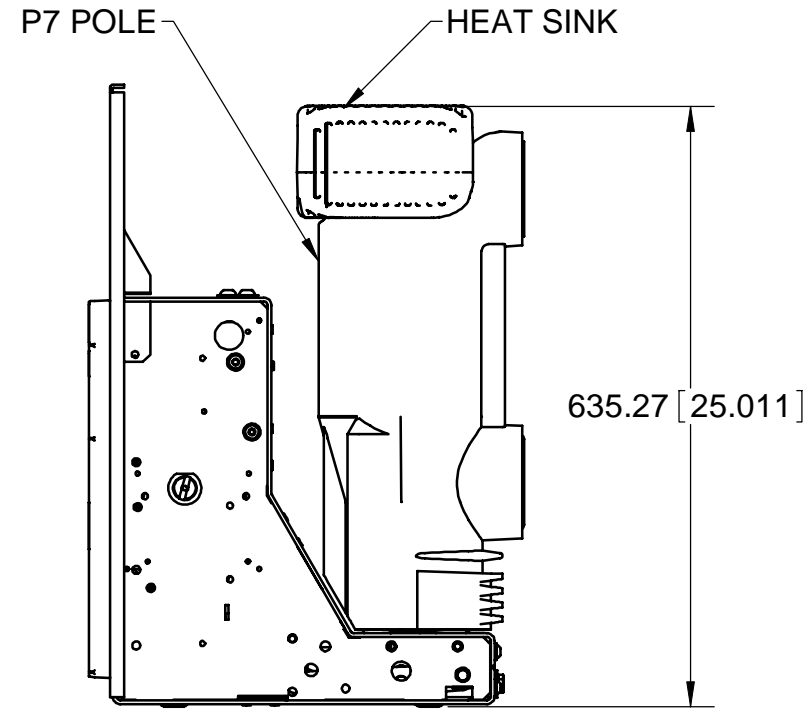
CONFIDENTIAL
 The information contained in this document has to be kept strictly confidential.
 Any unauthorized use, reproduction, distribution or disclosure to third parties
 is strictly forbidden. ABB reserves all rights regarding Intellectual Property Rights.
 © Copyright 2011 ABB. All rights reserved.

Dimensions are in
 mm[in.]

STANDARD DIMENSIONING AND TOLERANCING PER
 ANSI Y14.5-1994, UNLESS OTHERWISE STATED:
 .XX = ±.40 X* = ±1°
 .X = ±.8 .X* = ±.5

REVISIONS					
Rev.	Description				Date
A	INITIAL RELEASE				5/5/2011
Material			Weight	Surface	Finish
Type		Derived from		Drawing status	
Revision A	EC No.	Responsible US-LKM		Title MODEL 4 FIXED MOUNT	
	Location	Date	Name	Scale 1:10	
Drawn	US-LKM	4/7/2011 1	M. J. Murray	Language EN	
Checked	US-LKM	4/7/2011 1	D. LE	Format B	
Approved	US-LKM	4/7/2011 1	R. GOODIN	Sheet No. 1 / 1	
ABB		ABB Technology Ltd.		Drawing No. 2RGA013942	

NOTES:



DETAIL B
SCALE 1 : 2

CONFIDENTIAL
 The information contained in this document has to be kept strictly confidential.
 Any unauthorized use, reproduction, distribution or disclosure to third parties
 is strictly forbidden. ABB reserves all rights regarding Intellectual Property Rights.
 © Copyright 2011 ABB. All rights reserved.

Dimensions are in
 mm[in.]

STANDARD DIMENSIONING AND TOLERANCING PER
 ANSI Y14.5-1994, UNLESS OTHERWISE STATED:
 .XX = ±.40 X = ±1°
 .X = ±.8 .X* = ±.5

REVISIONS					
Rev.	Description			Date	
A	INITIAL RELEASE			5/5/2011	
Material		Weight	Surface		Finish
Type		Derived from		Drawing status	
Revision	EC No.	Responsible		Title	Scale
A		US-LKM		MODEL 4 FIXED MOUNT	1:10
Drawn	Location	Date	Name	Subtitle	Language
	US-LKM	4/7/2011	M. J. Murray	P7 POLE WITH HEAT SINK	EN
Checked	US-LKM	4/7/2011	D. LE		Format
Approved	US-LKM	4/7/2011	R. GOODIN		B
ABB		ABB Technology Ltd.		Drawing No.	Sheet No.
				2RGA013944	1 / 1