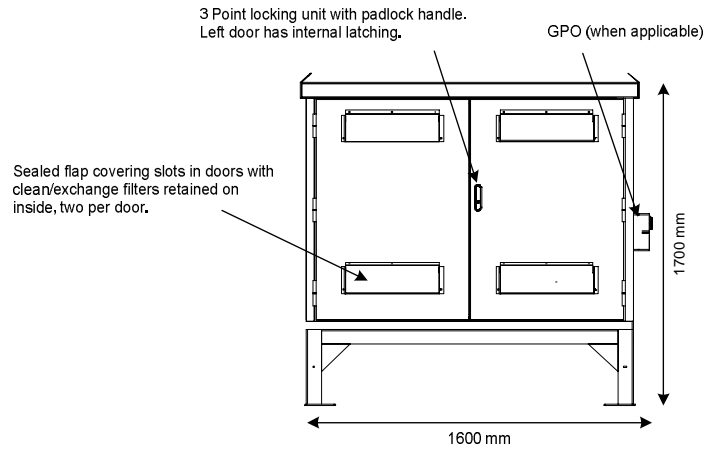


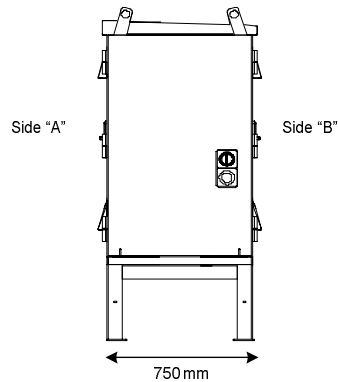
Front View (Side "A")



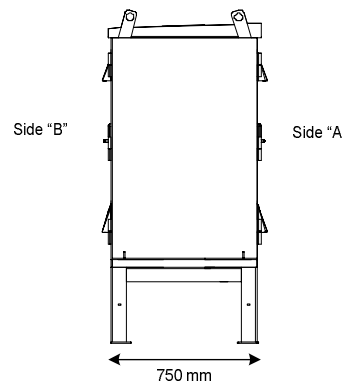
Construction Notes

- 1) Outdoor weatherproof enclosure manufactured from 316 stainless steel.
- 2) Degree of Protection: IP 56.
- 3) Fitted with document holder: Rittal model No. SZ-2514.000 or equivalent.
- 4) Fitted with temperature control anti-condensation heater. Optional.
- 5) Fitted with door operated fluorescent light.
- 6) Fitted with min. 3pt locking door, padlockable 6mm.
- 7) Fitted with one 30mA RDC protected outdoor 240V 15A GPO. Optional.
- 8) Earth lugs fitted to frame
- 9) Fitted with eye bolts Rittal model No. PS-4568.000 or equivalent.

Right Hand Side View



Left Hand Side View



Notes

- 1) Outdoor.
- 2) Wiring rules, colour and identification to AS 3000 and AS 2067.
- 3) Cabinet is floor standing construction.
- 4) Cabinet have bottom power cable entry.
- 5) Heat loss = 50W each cabinet.
- 6) Weight = 400kg each cabinet.

Disclaimer: The shown product pictures are mainly for illustration of the proposed functionalities.
The supplied goods might look different from the illustrations shown

Date 20 May 11 Scale NTS Outdoor Marshalling Kiosk

ABB Australia Pty Limited.

PANEL PROGRAM

Dwg # 1VGA674127 Rev. B Sh. 1 Dwn JO Chk SC

