


BY	REVISION DESCRIPTION	DATE	REV	BY	DATE	REV	DESCRIPTION
				RET			Item 5 to Expando, + CL. BLK, +G10, +I8
				RET			Added wire 203A to bundle
1	01/28/05						[6590]
2	10/03/06						[8413]

G00 QTY	ITEM	PART No.	DESCRIPTION	
	21	1	18054-P00	CONN., MALE PIN
	2	2	18053-P00	CONN., MALE PIN .187 16-18 GA. SOLID
	23	3	18065-P00	CONN., FEMALE FLAG .187 16-18 GA.
	1	4	18045-P00	AMP CONN. HOUSING
610mm	2	5	18072-P10	3/4" Expando
	2	6	716818-C00	POSITRONICS, MALE PIN
23594mm	1	7	703419-A41	WIRE, 18GA
	1	8	19938-P00	POSITRONICS 4 PIN CONNECTOR

PLUG PIN REF.	WIRE# (AM)	TERMINAL 1	TERMINAL 2	LENGTH	AUX. SWITCH	FUNCTION (AM)
1-1	5	18065-P00	18053-P00	928		+ CTRL. PWR.
1-2	102	18065-P00	18054-P00	928		+ READY
1-3	103	18065-P00	18053-P00	928		- CTRL. PWR.
1-4	7	18065-P00	18054-P00	1078		+ CLOSE
1-5	6	716818-C00	18054-P00	102		CLOSE BLOCK
1-6	9	18065-P00	18054-P00	915		+ TRIP
1-7	10	18065-P00	18054-P00	1078		- TRIP
1-8	15	18065-P00	18054-P00	915	+ a1	+ a1
1-9	16	18065-P00	18054-P00	915	- a1	- a1
1-10	51	18065-P00	18054-P00	902	+ a2	+ a2
1-11	52	18065-P00	18054-P00	902	- a2	- a2
1-12	55	18065-P00	18054-P00	915	+a3	+a3
1-13	56	18065-P00	18054-P00	915	- a3	- a3
1-14	59	18065-P00	18054-P00	915	+a4	+a4
1-15	60	18065-P00	18054-P00	915	- a4	- a4
1-16	13	18065-P00	18054-P00	940	+ b1	+ b1
1-17	14	18065-P00	18054-P00	940	- b1	- b1
1-18	53	18065-P00	18054-P00	953	+ b2	+ b2
1-19	54	18065-P00	18054-P00	953	- b2	- b2
1-20	57	18065-P00	18054-P00	940	+ b3	+ b3
1-21	58	18065-P00	18054-P00	940	- b3	- b3
1-22	61	18065-P00	18054-P00	953	+ b4	+ b4
1-23	62	18065-P00	18054-P00	953	- b4	- b4
1-24	OPEN					
1-25	OPEN					
	200	18065-P00	tinned	381		
	206	18065-P00	tinned	381		
	6A	18065-P00	716818-C00	1080		- CLOSE
	203A	18065-P00	tinned	267		33LSa

G00 OPTIONAL ADVAC EU. WIRE BUNDLE  
 MARK WIRES ON BOTH ENDS.

DIMENSIONS ARE IN MILLIMETERS


REF	ADVAC EU	REV	2	TITLE	OPTIONAL WIRE BUNDLE																		
	18084, 18085																						
	CREATED FROM 18023	DATE DRN	2/16/02	DATE REL	4/4/03																		
		DRN	GRC	CKD	APP'D																		
				PRT	PRT																		
				DWG NO.	18086																		
					SHEET 1 OF 4																		
THIS DRAWING IS THE PROPERTY OF ABB AND CONTAINS PROPRIETARY AND CONFIDENTIAL INFORMATION WHICH MUST NOT BE DUPLICATED USED OR DISCLOSED OTHER THAN AS EXPRESSLY AUTHORIZED BY ABB.																							
DIMENSIONS IN MILLIMETERS GENERAL TOLERANCE UNLESS OTHERWISE SPECIFIED THE FOLLOWING TOLERANCES ARE APPLICABLE <table border="1"> <tr> <th>LINEAR</th> <th>OVER TO</th> <th>0.5</th> <th>6</th> <th>30</th> <th>120</th> <th>315</th> <th>1000</th> <th>2000</th> </tr> <tr> <td>TOL</td> <td>±</td> <td>0.1</td> <td>0.2</td> <td>0.3</td> <td>0.5</td> <td>0.8</td> <td>1.2</td> <td></td> </tr> </table>			LINEAR	OVER TO	0.5	6	30	120	315	1000	2000	TOL	±	0.1	0.2	0.3	0.5	0.8	1.2		NEXT ASSY NEXT ASSY		
LINEAR	OVER TO	0.5	6	30	120	315	1000	2000															
TOL	±	0.1	0.2	0.3	0.5	0.8	1.2																
DIMENSIONS IN MILLIMETERS ANGULAR <table border="1"> <tr> <th>LENGTH (180°)</th> <th>OVER TO</th> <th>0</th> <th>10</th> <th>50</th> <th>120</th> <th>400</th> </tr> <tr> <td>TOL</td> <td>±</td> <td>1°</td> <td>0'30"</td> <td>0'20"</td> <td>0'10"</td> <td></td> </tr> </table>			LENGTH (180°)	OVER TO	0	10	50	120	400	TOL	±	1°	0'30"	0'20"	0'10"		ECN No. 6360						
LENGTH (180°)	OVER TO	0	10	50	120	400																	
TOL	±	1°	0'30"	0'20"	0'10"																		
			ABB Inc. FLORENCE, S.C., U.S.A.																				

REV	DATE	REVISION DESCRIPTION	BY	DATE	REV	DATE	REVISION DESCRIPTION	BY
1	01/28/05	[6590] Item 5 to Expando, + CL. BLK, +G10, +16, +18	RET					
2	10/03/06	[8413] Added wire 203A to bundle	RET					

	G00 QTY	ITEM	PART No.	DESCRIPTION
	18	1	18054-P00	CONN., MALE PIN
	1	2	18045-P00	AMP CONN. HOUSING
	18	3	18065-P00	CONN., FEMALE FLAG .187 16-18 GA.
6100mm		4	18072-P10	3/4" Expando
		5		
		6		
15373mm		7	703419-A41	WIRE, 18GA

PLUG PIN REF.	WIRE# (AM)	TERMINAL 1	TERMINAL 2	LENGTH	AUX. SWITCH	FUNCTION (AM)
2-1						
2-2						
2-3						
2-4						
2-5	815	18065-P00	18054-P00	838	+ a5	+ a5
2-6	816	18065-P00	18054-P00	838	- a5	- a5
2-7	851	18065-P00	18054-P00	851	+ a6	+ a6
2-8	852	18065-P00	18054-P00	851	- a6	- a6
2-9	855	18065-P00	18054-P00	826	+ a7	+ a7
2-10	856	18065-P00	18054-P00	826	- a7	- a7
2-11	859	18065-P00	18054-P00	838	+ a8	+ a8
2-12	860	18065-P00	18054-P00	838	- a8	- a8
2-13	863	18065-P00	18054-P00	851	+ a9	+ a9
2-14	864	18065-P00	18054-P00	851	- a9	- a9
2-15	813	18065-P00	18054-P00	864	+ b5	+ b5
2-16	814	18065-P00	18054-P00	864	- b5	- b5
2-17	853	18065-P00	18054-P00	877	+ bg	+ bg
2-18	854	18065-P00	18054-P00	877	- b6	- b6
2-19	857	18065-P00	18054-P00	864	+ b7	+ b7
2-20	858	18065-P00	18054-P00	864	- b7	- b7
2-21	861	18065-P00	18054-P00	877	+ b8	+ b8
2-22	862	18065-P00	18054-P00	877	- b8	- b8
2-23	OPEN					
2-24	OPEN					
2-25	OPEN					

DIMENSIONS ARE IN MILLIMETERS

REF	ADVAC EU	REV	2	TITLE	OPTIONAL WIRE BUNDLE	
	18084, 18085	DATE DRN	2/16/02	DATE REL	4/4/03	DWG NO.
	CREATED FROM 18023	DRN	GRC	CKD	PRT	APP'D
						18086
						SHEET 2 OF 4
		THIS DRAWING IS THE PROPERTY OF ABB AND CONTAINS PROPRIETARY AND CONFIDENTIAL INFORMATION WHICH MUST NOT BE DUPLICATED USED OR DISCLOSED OTHER THAN AS EXPRESSLY AUTHORIZED BY ABB.				
				ABB Inc. FLORENCE, S.C., U.S.A.		
ECN No.	6360					

DIMENSIONS IN MILLIMETERS

GENERAL TOLERANCE UNLESS OTHERWISE SPECIFIED THE FOLLOWING TOLERANCES ARE APPLICABLE

LINEAR	OVER TO	0.5	6	30	120	315	1000	2000
TOL	±	0.1	0.2	0.3	0.5	0.8	1.2	

ANGULAR

LENGTH (100°)	OVER TO	0	10	50	120	400
TOL	±	1°	0'30"	0'20"	0'10"	

G00 OPTIONAL ADVAC EU. WIRE BUNDLE  
 MARK WIRES ON BOTH ENDS.

REV	DATE	REVISION DESCRIPTION	BY	DATE	REV	DESCRIPTION	BY
1	01/28/05	[6590] Item 5 to Expando, + CL. BLK, +G10, +I6, +I8	RET				
2	10/03/06	[8413] Added wire 203A to bundle	RET				

G00 QTY	ITEM	PART No.	DESCRIPTION	
	21	1	18054-P00	CONN., MALE PIN
	2	2	18053-P00	CONN., MALE PIN .187 16-18 GA. SOLID
	23	3	18065-P00	CONN., FEMALE FLAG .187 16-18 GA.
	1	4	18045-P00	AMP CONN. HOUSING
610mm		5	18072-P10	3/4" Expando
	4	6	716818-C00	POSITRONICS, MALE PIN
23594mm		7	703419-A41	WIRE, 18GA
	1	8	19938-P00	POSITRONICS 4 PIN CONNECTOR

PLUG PIN REF.	WIRE# (AM)	TERMINAL 1	TERMINAL 2	LENGTH	AUX. SWITCH	FUNCTION (AM)
1-1	5	18065-P00	18053-P00	928		+ CTRL. PWR.
1-2	102	18065-P00	18054-P00	928		+ READY
1-3	103	18065-P00	18053-P00	928		- CTRL. PWR.
1-4	7	18065-P00	18054-P00	1078		+ CLOSE
1-5	6	716818-C00	18054-P00	102		CLOSE BLOCK
1-6	9	18065-P00	18054-P00	915		+ TRIP
1-7	10	18065-P00	18054-P00	1078		- TRIP
1-8	15	18065-P00	18054-P00	915	+ a1	+ a1
1-9	16	18065-P00	18054-P00	915	- a1	- a1
1-10	51	18065-P00	18054-P00	902	+ a2	+ a2
1-11	52	18065-P00	18054-P00	902	- a2	- a2
1-12	55	18065-P00	18054-P00	915	+a3	+a3
1-13	56	18065-P00	18054-P00	915	- a3	- a3
1-14	59	18065-P00	18054-P00	915	+a4	+a4
1-15	60	18065-P00	18054-P00	915	- a4	- a4
1-16	13	716818-C00	18054-P00	102		PIN MONITOR
1-17	14	18065-P00	18054-P00	940	- b1	- b1
1-18	53	18065-P00	18054-P00	953	+ b2	+ b2
1-19	54	18065-P00	18054-P00	953	- b2	- b2
1-20	57	18065-P00	18054-P00	940	+ b3	+ b3
1-21	58	18065-P00	18054-P00	940	- b3	- b3
1-22	61	18065-P00	18054-P00	953	+ b4	+ b4
1-23	62	18065-P00	18054-P00	953	- b4	- b4
1-24	OPEN					
1-25	OPEN					
	200	18065-P00	tinned	381		
	206	18065-P00	tinned	381		
	6A	18065-P00	716818-C00	1080		- CLOSE
	13A	18065-P00	716818-C00	1080		+ b
	203A	18065-P00	tinned	267		33LSa

DIMENSIONS ARE IN MILLIMETERS

REF ADVAC EU	REV 2	TITLE OPTIONAL WIRE BUNDLE
18084, 18085	DATE DRN 2/16/02	DATE REL 4/4/03
CREATED FROM 18023	DWG NO. 18086	SHEET 3 OF 4
NEXT ASSY	DRN GRC	CKD PRT
NEXT ASSY	APP'D PRT	
THIS DRAWING IS THE PROPERTY OF ABB AND CONTAINS PROPRIETARY AND CONFIDENTIAL INFORMATION WHICH MUST NOT BE DUPLICATED USED OR DISCLOSED OTHER THAN AS EXPRESSLY AUTHORIZED BY ABB.		
ECN No. 6360		ABB Inc. FLORENCE, S.C., U.S.A.

DIMENSIONS IN MILLIMETERS

GENERAL TOLERANCE UNLESS OTHERWISE SPECIFIED THE FOLLOWING TOLERANCES ARE APPLICABLE

LINEAR	OVER TO	0.5	6	30	120	315	1000	2000
TOL	±	0.1	0.2	0.3	0.5	0.8	1.2	

ANGULAR

LENGTH (100°)	OVER TO	0	10	50	120	400
TOL	±	1°	0'30"	0'20"	0'10"	

OPTIONAL ADVAC EU. WIRE BUNDLE WITH PIN MONITOR  
 MARK WIRES ON BOTH ENDS.



REV	DATE	REVISION DESCRIPTION	BY	REV	DATE	REVISION DESCRIPTION	BY
1	01/28/05	[6590] Item 5 to Expando, + CL. BLK, +G10, +I6, +I8	RET				
2	10/03/06	[8413] Added wire 203A to bundle	RET				

G00 QTY	ITEM	PART No.	DESCRIPTION
18	1	18054-P00	CONN., MALE PIN
1	2	18045-P00	AMP CONN. HOUSING
18	3	18065-P00	CONN., FEMALE FLAG .187 16-18 GA.
610mm	4	18072-P10	3/4" Expando
	5		
	6		
15373mm	7	703419-A41	WIRE, 18GA

PLUG PIN REF.	WIRE# (AM)	TERMINAL 1	TERMINAL 2	LENGTH	AUX. SWITCH	FUNCTION (AM)
2-1						
2-2						
2-3						
2-4						
2-5	815	18065-P00	18054-P00	838	+ a5	+ a5
2-6	816	18065-P00	18054-P00	838	- a5	- a5
2-7	851	18065-P00	18054-P00	851	+ a6	+ a6
2-8	852	18065-P00	18054-P00	851	- a6	- a6
2-9	855	18065-P00	18054-P00	826	+ a7	+ a7
2-10	856	18065-P00	18054-P00	826	- a7	- a7
2-11	859	18065-P00	18054-P00	838	+ a8	+ a8
2-12	860	18065-P00	18054-P00	838	- a8	- a8
2-13	863	18065-P00	18054-P00	851	+ a9	+ a9
2-14	864	18065-P00	18054-P00	851	- a9	- a9
2-15	813	18065-P00	18054-P00	864	+ b5	+ b5
2-16	814	18065-P00	18054-P00	864	- b5	- b5
2-17	853	18065-P00	18054-P00	877	+ b9	+ b9
2-18	854	18065-P00	18054-P00	877	- b6	- b6
2-19	857	18065-P00	18054-P00	864	+ b7	+ b7
2-20	858	18065-P00	18054-P00	864	- b7	- b7
2-21	861	18065-P00	18054-P00	877	+ b8	+ b8
2-22	862	18065-P00	18054-P00	877	- b8	- b8
2-23	OPEN					
2-24	OPEN					
2-25	OPEN					

(G10) OPTIONAL ADVAC EU. WIRE BUNDLE WITH PIN MONITOR  
 MARK WIRES ON BOTH ENDS.

DIMENSIONS ARE IN MILLIMETERS

REF	ADVAC EU	REV	2	TITLE	OPTIONAL WIRE BUNDLE
	18084, 18085	DATE DRN	2/16/02	DATE REL	4/4/03
	CREATED FROM 18023	DWG NO.	18086		
		DRN	GRC	CKD	APP'D
				PRT	PRT
		THIS DRAWING IS THE PROPERTY OF ABB AND CONTAINS PROPRIETARY AND CONFIDENTIAL INFORMATION WHICH MUST NOT BE DUPLICATED USED OR DISCLOSED OTHER THAN AS EXPRESSLY AUTHORIZED BY ABB.			SHEET 4 OF 4
		<b>ABB</b>		ABB Inc. FLORENCE, S.C., U.S.A.	
ECN No.	6360				

**DIMENSIONS IN MILLIMETERS**

GENERAL TOLERANCE UNLESS OTHERWISE SPECIFIED THE FOLLOWING TOLERANCES ARE APPLICABLE

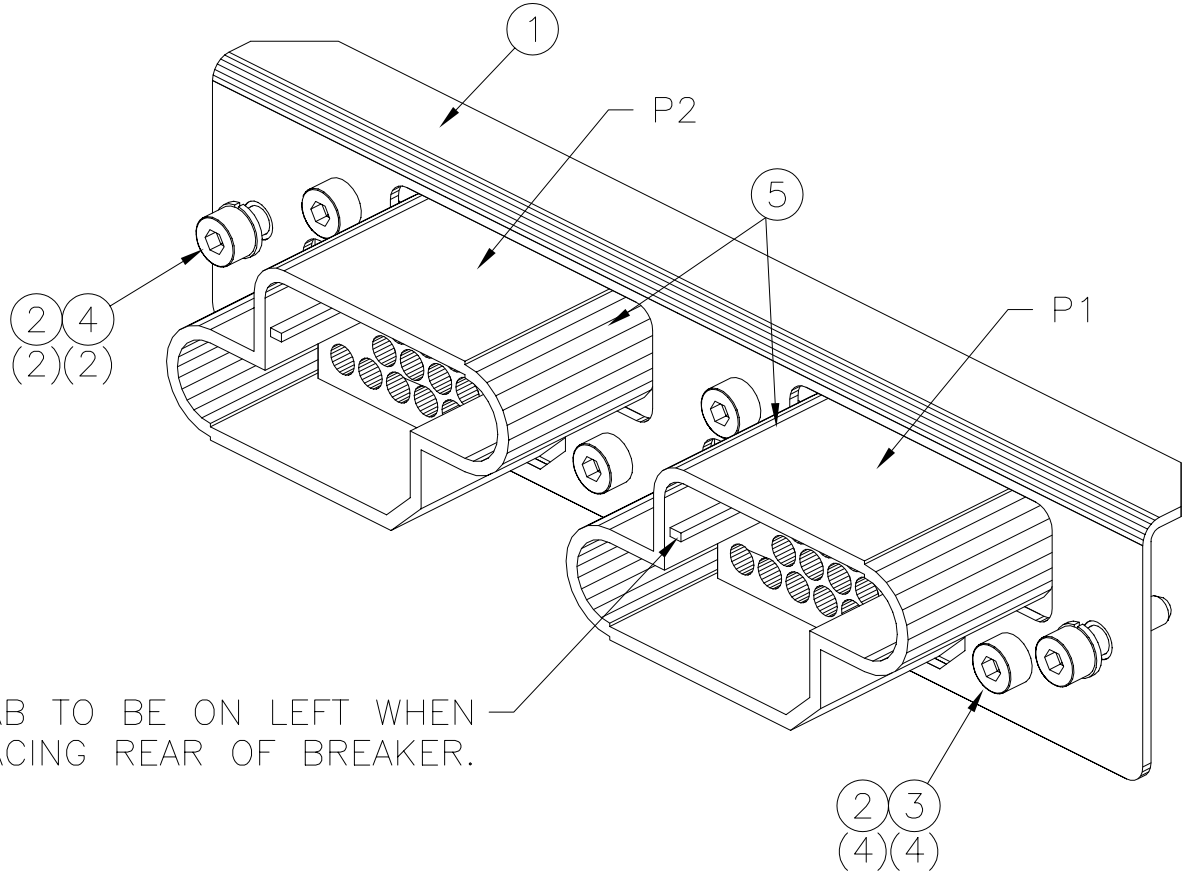
LINEAR	OVER TO	0.5	6	30	120	315	1000	2000
TOL	±	0.1	0.2	0.3	0.5	0.8	1.2	

ANGULAR

LENGTH (mm)	OVER TO	0	10	50	120	400
TOL	±	1°	0'30"	0'20"	0'10"	

BY		REVISION DESCRIPTION	DATE	REV	DATE	BY	DATE	REVISION DESCRIPTION
						MKJ		
REV	DATE	REVISION DESCRIPTION						
1	5-7-03	[6369] +L5.						

G00 QTY	ITEM	PART No.	DESCRIPTION
1	1	18058-G00	SEC. PLATE ASSY (2)
4	2	16905-P00	SHCS M4x.7/16
2	3	16960-P00	NILN M4x.7
2	4	16972-P00	LOCKWASHER M4
1	5	18086-G00	OPTIONAL WIRE BUNDLE



TAB TO BE ON LEFT WHEN FACING REAR OF BREAKER.

# G00 OPTIONAL BOM WIRING (EU)

DIMENSIONS ARE IN MILLIMETERS

DIMENSIONS IN MILLIMETERS							
GENERAL TOLERANCE UNLESS OTHERWISE SPECIFIED THE FOLLOWING TOLERANCES ARE APPLICABLE							
LINEAR	OVER TO	0.5	8	30	120	315	1000
TOL	±	0.1	0.2	0.3	0.5	0.8	1.2

ANGULAR						
LENGTH (SHORT)	OVER TO	0	10	50	120	400
TOL	±	1'	0'30"	0'20"	0'10"	

REF	ADVAC (EU)
NEXT ASSY	
NEXT ASSY	
ECN No.	6360

REV	1	TITLE	OPTIONAL BOM WIRING
DATE DRN	4-4-03	DATE REL	4/4/03
DWG NO.	18091		SHEET 1 OF 1
DRN	MKJ	CKD	PRT
APP'D	PRT		
THIS DRAWING IS THE PROPERTY OF ABB AND CONTAINS PROPRIETARY AND CONFIDENTIAL INFORMATION WHICH MUST NOT BE DUPLICATED USED OR DISCLOSED OTHER THAN AS EXPRESSLY AUTHORIZED BY ABB.			
<b>ABB</b>		ABB Inc. FLORENCE, S.C., U.S.A.	



4

3

2

1

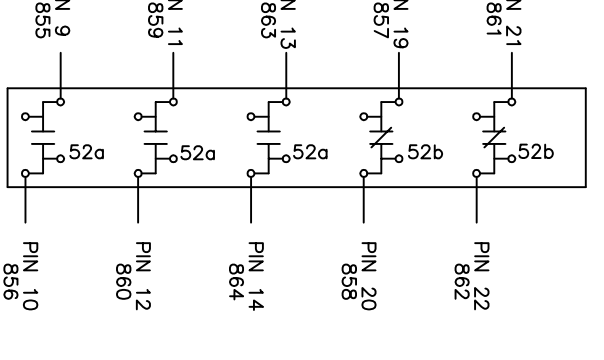
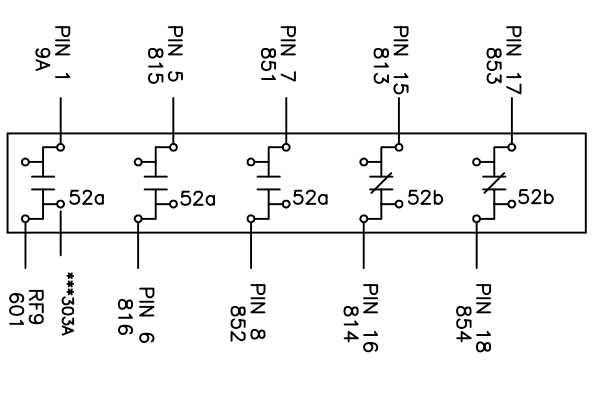
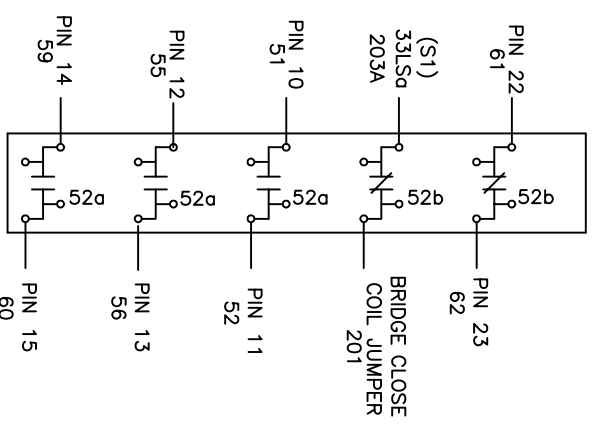
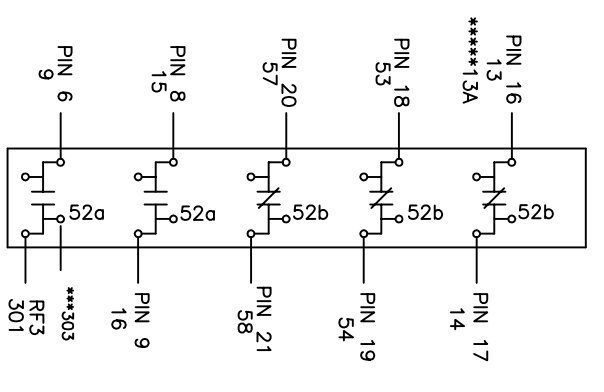
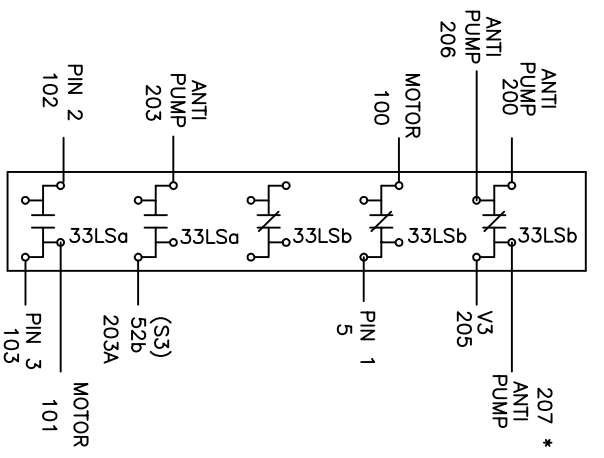
SPRING CHARGE POSITION SWITCH (S1)  
TYPE 22

CIRCUIT BREAKER CONTACT SWITCH (S4)  
TYPE 22

CIRCUIT BREAKER CONTACT SWITCH (S3)  
TYPE 21

CIRCUIT BREAKER CONTACT SWITCH (S5)  
TYPE 21

CIRCUIT BREAKER CONTACT SWITCH (S6)  
TYPE 21



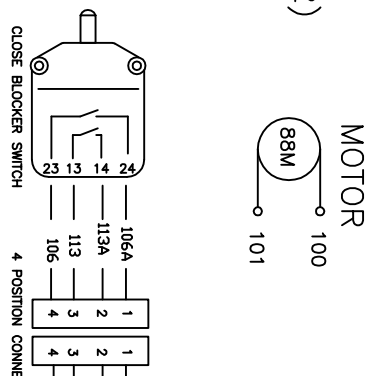
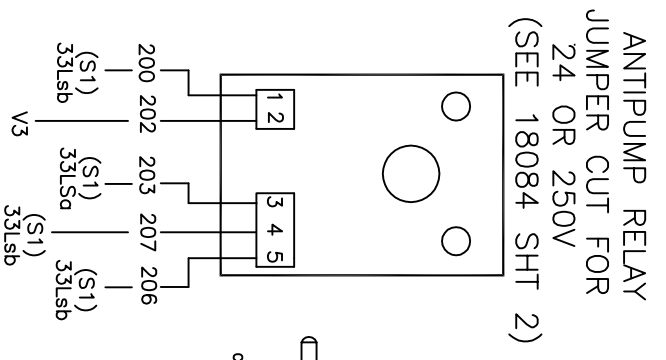
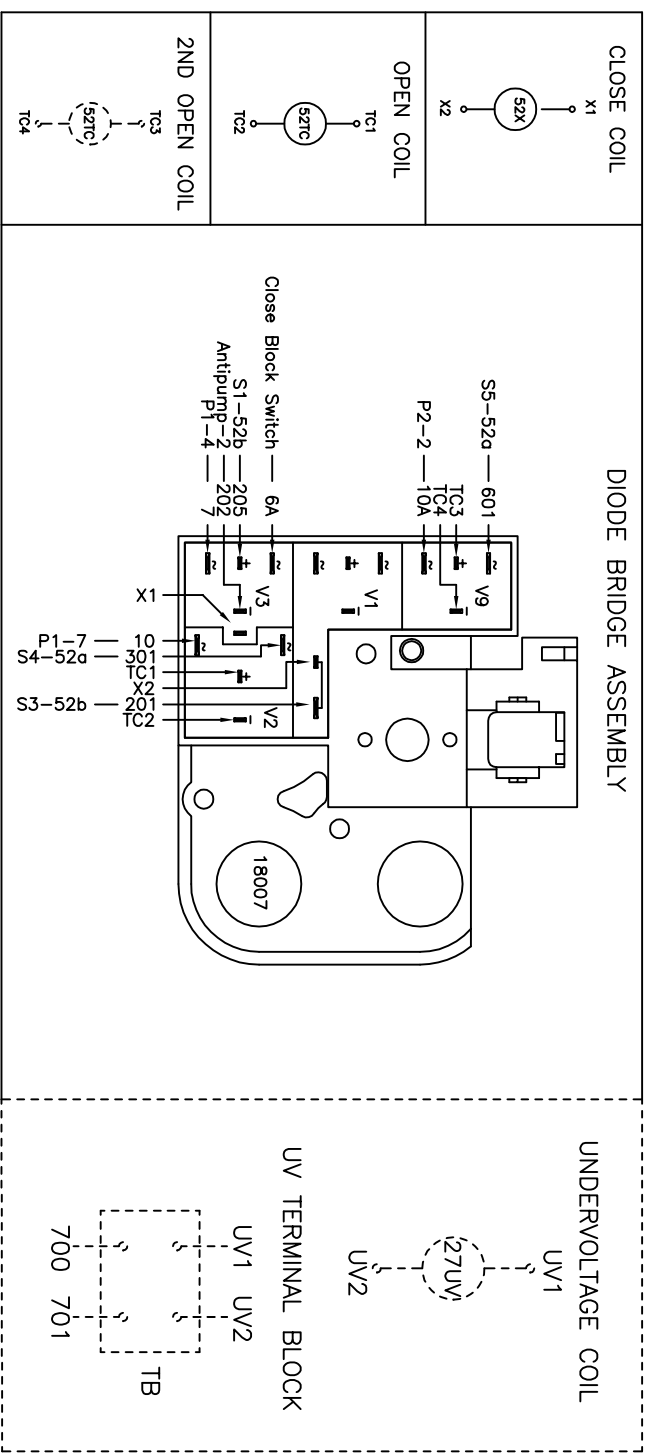
PIN #	WIRE LOCATION	PIN #	WIRE LOCATION
1	5	1	9A
2	102	2	10A
3	103	3	700
4	7	4	701
5	6	5	815
6	9	6	816
7	10	7	851
8	15	8	852
9	16	9	855
10	51	10	856
11	52	11	859
12	55	12	860
13	56	13	863
14	59	14	864
15	60	15	813
16	13	16	814
17	14	17	853
18	53	18	854
19	54	19	857
20	57	20	858
21	58	21	861
22	61	22	862
23	62	23	OPEN
24	303	24	303A
25	OPEN	25	OPEN

PLUG 1 - P1

PLUG 2 - P2

\*\*\* OPTIONAL TRIP COIL MONITOR WIRE. CARE MUST BE TAKEN TO AVOID FULL VOLTAGE/CURRENT TO TRIP COIL LONGER THAN PULSE DURATION.

Xref: C:\ADVAC\SEC BLOCK.dwg



F10 STANDARD ADVAC EU. POINT TO POINT W.D.

REF	ADVAC EU	REV	3	TITLE	OPTIONAL ADVAC EU POINT TO POINT W.D.
CREATED FROM	18011	DATE DWN	12/19/02	DATE REL	4/4/03
		DRN	GRC	APPD	
		PRT		PRT	
				DWG NO.	18085
				SHEET	2 of 2

1	11/04/04	[6572] + Close Block Sw, rectifier/antipump	RET		
2	09/27/06	[8401] + sheet 2, +33LSBa in close circuit	RET		
3	09/24/09	CORRECTED SECONDARY RECEPTACLE DETAIL	JLH		

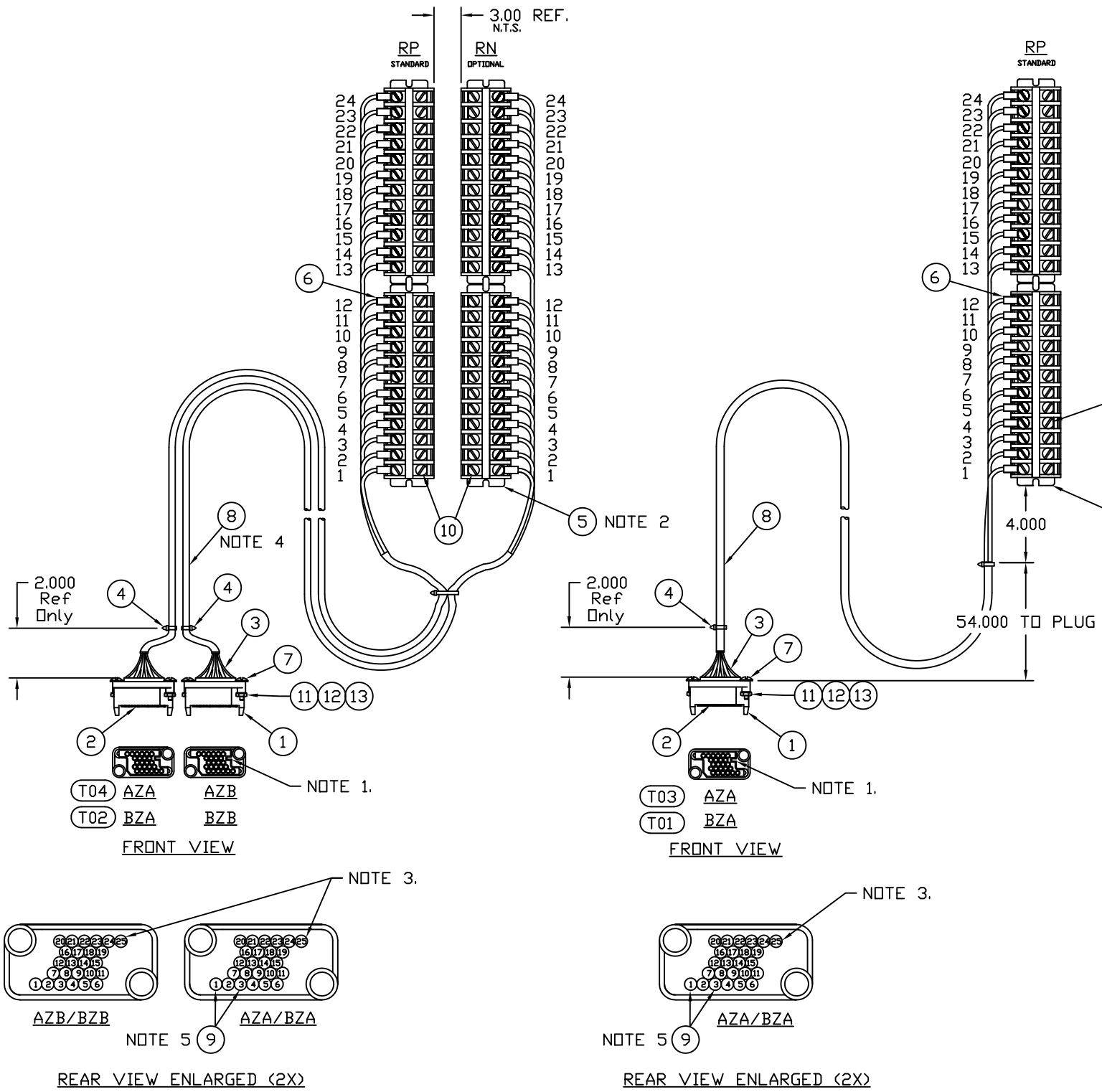
REV	DATE	REVISION DESCRIPTION	BY	REV	DATE	REVISION DESCRIPTION

GENERAL TOLERANCE UNLESS OTHERWISE SPECIFIED THE FOLLOWING DIMENSIONS ARE APPLICABLE	ANGULAR
FRACTIONAL OVER 0	10
FRACTIONAL TO 1/8	120
LINEAR OVER 1/8	120
LINEAR TO 1/8	120
TOL ±	0.1
TOL ±	0.2
TOL ±	0.3
TOL ±	0.5
TOL ±	0.8
TOL ±	1.2



ABB Inc. FLORENCE, S.C., U.S.A.

STANDARD TOLERANCE INFO. ON DR. 52016 DIMENSIONS ARE IN INCHES  
TOLERANCES - UNLESS SPECIFIED - ± N/A



REV.	PC. NO.	DRAWING NUMBER	DESCRIPTION	CODE			
2	1	2	1	0001	890563A00	SOCKET HOUSING	
46	22	46	22	0002	890565A00	CRIMP SOCKETS	
48	24	48	24	0003	279040A15	14AWG TYP SIS (90' LENGTH)	
2	2	2	2	0004	279040A23	CABLE TIE MOUNT	
6	3	6	3	0005	NOTE 2	12 PT TERM BLOCK (NOTE 2)	
48	24	48	24	0006	279040J02	INSUL LUG, 16/14 GA, #10 HOLE	
4	2	4	2	0007	890565C00	SPECIAL SHOULDER SCREW 6-32	
12	6	12	6	0008	279040B03	CABLE SLEEVE 1.250ID (QTY=FT)	
2	2	2	2	0009	890565D00	CRIMP SOCKET	
96	48	96	48	0010	888496E00	#10 SHAKEPROOF WASHER	
4	2	4	2	0011	54400B00	#6-32 HEX MACHINE NUT	
4	2	4	2	0012	54500B00	FLATWASHER .156 ID, .375 OD	
4	2	4	2	0013	53103C00	LOCKWASHER #6	

	SECONDARY	BREAKER POSITION
T01	24 PIN	BOTTOM
T02	48 PIN	BOTTOM
T03	24 PIN	TOP
T04	48 PIN	TOP

NOTES:

1. POSITION SOCKET HOUSING SUCH THAT THE REJECTION TAB IS TO THE RIGHT WHEN LOOKING INTO THE CUBICLE.
2. TERMINAL BLOCKS SHOWN FOR REFERENCE ONLY, NOT PROVIDED WITH THIS ASSY. TERMINAL BLOCKS WILL BE CURRENT STANDARD OR CUSTOMER SPECIFIED.
3. DO NOT WIRE OR PLACE A CRIMP SOCKET IN POSITION 25.
4. FOR T02, CUT PC.8 INTO TWO 6 FT LENGTHS.
5. PC.#9 REQUIRED ON POSITIONS 1 & 3 ONLY.

SECONDARY WIRING HARNESS  
ADVAC BREAKER

**ABB** Power T & D Company Inc.  
Distribution Systems Division

931685 11

SIZE C SHT 01 CONT. DN - REV.

BY: JSRennie DATE: 4-26-95  
CHD: RKarnbach DATE: 4-26-95  
APP: BBook DATE: 4-26-95

THIS DRAWING IS THE PROPERTY OF ABB POWER DISTRIBUTION INC. AND CONTAINS CONFIDENTIAL INFORMATION WHICH MUST NOT BE DUPLICATED, USED, OR DISCLOSED OTHER THAN EXPRESSLY AUTHORIZED BY ABB.

NO.	REVISIONS	BY & DATE	CHD.	APP.
11	PC. 5, 12 PT block was 8	RSK 2/8/08	AL 2/8/08	HK 2/8/08
10	PC. 5, - Part No. & + Note 2. (M-3115)	AL 2/28/06	RSK 2/28/06	TPM 2/28/06
9	PC. 5 WAS 826179D00	RSK 2/7/06	AL 2/7/06	TH 2/7/06
8	+ PC. 5 & 10 to T01-T04, - Note #2.	GG 5/12/05	RK 5/12/05	TH 5/12/05
7	T01 & T03 - QTY. PC. #2 WAS 21, T02 & T04 - QTY. PC. #2 WAS 45, QTY. PC #9 WAS 3, - PC. #5	RSK 6/13/01	DE 6/13/01	TPM 6/13/01

DWG. NO. 931685